



TRANSACTION TYPE:

Order Quote

Date _____ Account # _____ P.O. # _____

Company Name _____ Phone # _____

Address _____ City _____ State _____ Post Code _____ Country _____

Contact Name _____ Comments _____

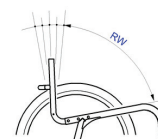
Code	Description	Price
<input type="radio"/> DDX 0085	The KSL	
<input type="radio"/> DDX 0000	MYKüschall special construction <i>Complete all information at end of script</i>	POA
FRAME		
FRAME ANGLE		
<input type="radio"/> DDX 0221	Frame angle 75° to the ground	N/C
<input type="radio"/> DDX 0285	Frame angle 75° to the ground - tapered front frame	N/C
<input type="radio"/> DDX 0222	Frame angle 90° to the ground <i>Not with 5" front wheels</i>	N/C
<input type="radio"/> DDX 0290	Frame angle 90° to the ground - tapered front frame <i>Not with 5" front wheels</i>	N/C
SEAT WIDTH (SB)		
<input type="radio"/> DDX 0124	Seat width 34cm	N/C
<input type="radio"/> DDX 0126	Seat width 36cm	N/C
<input type="radio"/> DDX 0128	Seat width 38cm	N/C
<input type="radio"/> DDX 0130	Seat width 40cm	N/C
<input type="radio"/> DDX 0132	Seat width 42cm	N/C
<input type="radio"/> DDX 0134	Seat width 44cm	N/C
SEAT DEPTH (ST)		
<input type="radio"/> DDX 0414	Seat depth 38.5cm	N/C
<input type="radio"/> DDX 0417	Seat depth 41cm	N/C
<input type="radio"/> DDX 0420	Seat depth 43.5cm	N/C
<input type="radio"/> DDX 0423	Seat depth 46cm	N/C
<input type="radio"/> DDX 0426	Seat depth 48.5cm	N/C
BACK HEIGHT (RH)		
<input type="radio"/> DDX 0548	RH 27cm <i>Not with light back upholstery (DDX0721)</i>	N/C
<input type="radio"/> DDX 0580	RH 28.5cm <i>Not with light back upholstery (DDX0721)</i>	N/C
<input type="radio"/> DDX 0550	RH 30cm	N/C
<input type="radio"/> DDX 0503	RH 31.5cm	N/C
<input type="radio"/> DDX 0506	RH 33cm	N/C
<input type="radio"/> DDX 0509	RH 34.5cm	N/C
<input type="radio"/> DDX 0512	RH 36cm	N/C
<input type="radio"/> DDX 0514	RH 37.5cm	N/C
<input type="radio"/> DDX 0516	RH 39cm	N/C
<input type="radio"/> DDX 0518	RH 40.5cm	N/C
<input type="radio"/> DDX 0520	RH 42cm	N/C
FRONT SEAT-TO-FLOOR-HEIGHT (SHv)		
<input type="radio"/> DDX 0847	SHv 45cm <i>Only with 24" rear wheels (DDX0902)</i>	N/C
<input type="radio"/> DDX 0848	SHv 46cm	N/C
<input type="radio"/> DDX 0849	SHv 47cm	N/C
<input type="radio"/> DDX 0850	SHv 48cm	N/C
<input type="radio"/> DDX 0851	SHv 49cm	N/C
<input type="radio"/> DDX 0852	SHv 50cm	N/C
<input type="radio"/> DDX 0853	SHv 51cm	N/C
<input type="radio"/> DDX 0854	SHv 52cm	N/C
<input type="radio"/> DDX 0855	SHv 53cm <i>Only with 25" rear wheels (DDX0925)</i>	N/C
REAR SEAT-TO-FLOOR-HEIGHT (SHh) <i>SHh = [SHv-10cm] to [SHv-2cm]'</i>		
<input type="radio"/> DDX 0945	SHh 40cm <i>Only with 24" rear wheels (DDX0902)</i>	N/C
<input type="radio"/> DDX 0946	SHh 41cm	N/C
<input type="radio"/> DDX 0947	SHh 42cm	N/C
<input type="radio"/> DDX 0948	SHh 43cm	N/C
<input type="radio"/> DDX 0949	SHh 44cm	N/C
<input type="radio"/> DDX 0950	SHh 45cm	N/C
<input type="radio"/> DDX 0951	SHh 46cm	N/C
<input type="radio"/> DDX 0952	SHh 47cm	N/C
<input type="radio"/> DDX 0953	SHh 48cm	N/C



**NOTE: All specifications and dimensions are approximate.
For the most current information, go to www.invacare.com.au**

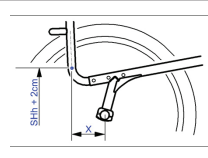
THE KSL

KNEE-TO-HEEL LENGTH (UL)		75° frame: UL = [SHv -10cm] to [SHv-3cm]; 90° frame: UL = [SHv - 8cm] to [SHv-4cm]	
<input type="radio"/>	DDX 1676	UL 35cm	N/C
<input type="radio"/>	DDX 1677	UL 36cm	N/C
<input type="radio"/>	DDX 1678	UL 37cm	N/C
<input type="radio"/>	DDX 1679	UL 38cm	N/C
<input type="radio"/>	DDX 1680	UL 39cm	N/C
<input type="radio"/>	DDX 1681	UL 40cm	N/C
<input type="radio"/>	DDX 1682	UL 41cm	N/C
<input type="radio"/>	DDX 1683	UL 42cm	N/C
<input type="radio"/>	DDX 1684	UL 43cm	N/C
<input type="radio"/>	DDX 1685	UL 44cm	N/C
<input type="radio"/>	DDX 1686	UL 45cm	N/C
<input type="radio"/>	DDX 1687	UL 46cm	N/C
<input type="radio"/>	DDX 1688	UL 47cm	N/C
<input type="radio"/>	DDX 1689	UL 48cm	N/C
<input type="radio"/>	DDX 1690	UL 49cm	N/C
<input type="radio"/>	DDX 1691	UL 50cm	N/C
BACKREST			
BACK TUBE OPTION			
<input type="radio"/>	DDX 0736	Fixed backrest in frame colour	N/C
<input type="radio"/>	DDX 0734	Foldable backrest, angle-adjustable	
BACK UPHOLSTERY			
<input type="radio"/>	DDX 0700	Standard upholstery	N/C
<input type="radio"/>	DDX 0721	Light back	Not with RH 27-28.5cm (DDX0548/0580)
<input type="radio"/>	DDX 0722	Tension velcro adjustable back black/grey	
<input type="radio"/>	DDX 0735	Aero back, tension velcro adjustable	
PUSH HANDLES			
<input type="radio"/>	DDX 0750	Without push handles	N/C
<input type="radio"/>	DDX 0751	Push handles fixed, short	
<input type="radio"/>	DDX 0702	Push handles fixed, long	
<input type="radio"/>	DDX 0704	Foldable push handles	
BACKREST ANGLE (RW)			
<input type="radio"/>	DDX 0707	74° angle from the seat	N/C
<input type="radio"/>	DDX 0718	78° angle from the seat	N/C
<input type="radio"/>	DDX 0709	82° angle from the seat	N/C
<input type="radio"/>	DDX 0719	86° angle from the seat	N/C
<input type="radio"/>	DDX 0711	90° angle from the seat	N/C
SEATING			
SEAT UPHOLSTERY			
<input type="radio"/>	DDX 0610	Standard	N/C
<input type="radio"/>	DDX 0615	Light seat upholstery	
SEAT CUSHION			
<input type="radio"/>	DDA 0600	Standard seat cushion, 60mm, double foam with visco top	<input type="radio"/> CLEAR
<input type="radio"/>	DDA 0662	Matrix Libra cushion	Not with ST38.5cm, SB34cm; SB36cm only with ST41-43.5cm
<input type="radio"/>	DDA 0663	Matrix Vi cushion	Not with ST48.5cm, SB34cm; ST38.5cm only with SW36cm
SIDE GUARDS			
<input type="radio"/>	DDX 1400	Carbon clothes guards, fixed	N/C
<input type="radio"/>	DDX 1405	Carbon mudguards, fixed	<input type="radio"/> CLEAR
FOOTREST			
FOOTREST TYPE (TUBE/PLATE)			
<input type="radio"/>	DDX 1508	Footrest tube, aluminium	Not with carbon footplate (DDX1570)
<input type="radio"/>	DDX 1509	Footrest tube, titanium	Not with carbon footplate (DDX1570)
<input type="radio"/>	DDX 1570	Carbon footplate, angle-adjustable	
FOOTREST COVER			
<input type="radio"/>	DDX 1513	Footrest cover	Not for carbon footplate (DDX1513)
COLOURS			
FRAME COLOUR			
<input type="radio"/>	DDX 0300	Glossy black	N/C
<input type="radio"/>	DDX 0303	Royal red	N/C
<input type="radio"/>	DDX 0314	Black matt	N/C
<input type="radio"/>	DDX 0315	Silver grey	N/C
<input type="radio"/>	DDX 0354	Night shimmer	N/C
<input type="radio"/>	DDX 0356	Ivory white	N/C
<input type="radio"/>	DDX 0358	Smokey grey	N/C
<input type="radio"/>	DDX 0359	Flashy yellow	N/C
<input type="radio"/>	DDX 0365	Mercury blue	N/C
<input type="radio"/>	DDX 0366	Dynamite orange	N/C
<input type="radio"/>	DDX 0367	Atomic violet	N/C
<input type="radio"/>	DDX 0368	Nitro pink	N/C



**NOTE: All specifications and dimensions are approximate.
For the most current information, go to www.invacare.com.au**

THE KSL

COLOUR POWERSET (CPS)		<i>Small shade differences are possible</i>		<input type="radio"/> CLEAR
<input type="radio"/>	DDX 0338	CPS chrome	<i>Starec rear wheel rim only available in black when CPS chrome is selected</i>	CPS applies to the following parts: Starec & High Performance hubs, Starec rear wheel rims (except for chrome), forks, caster housing caps and starec front wheels
<input type="radio"/>	DDX 0330	CPS techno-anthracite		
<input type="radio"/>	DDX 0329	CPS comet red		
<input type="radio"/>	DDX 0337	CPS copper glaze		
<input type="radio"/>	DDX 0339	CPS champagne		
<input type="radio"/>	DDX 0334	CPS b-blue		
<input type="radio"/>	DDX 0336	CPS arctic blue		
<input type="radio"/>	DDX 0340	CPS olive		
FRONT WHEEL				
FRONT WHEEL				
<input type="radio"/>	DDX 0800	3" Supersport		N/C
<input type="radio"/>	DDX 0801	4" Everyday wheel with black rubber		N/C
<input type="radio"/>	DDX 0860	4" Comfort wheel with black rubber		N/C
<input type="radio"/>	DDX 0824	4" Skater wheel		
<input type="radio"/>	DDX 0809	4" Starec black		
<input type="radio"/>	DDX 0861	4" Starec chrome		
<input type="radio"/>	DDX 0803	4" Starec techno-anthracite		
<input type="radio"/>	DDX 0808	4" Starec comet red		
<input type="radio"/>	DDX 0830	4" Starec copper glaze		
<input type="radio"/>	DDX 0825	4" Starec champagne		
<input type="radio"/>	DDX 0807	4" Starec b-blue		
<input type="radio"/>	DDX 0831	4" Starec arctic blue		
<input type="radio"/>	DDX 0826	4" Starec olive		
<input type="radio"/>	DDX 0810	5" Light wheel with black rubber	<i>Not with 90° front frame</i>	
<input type="radio"/>	DDX 0863	5" Comfort wheel with black rubber	<i>Not with 90° front frame</i>	N/C
<input type="radio"/>	DDX 0819	5" Starec black	<i>Not with 90° front frame</i>	
<input type="radio"/>	DDX 0862	5" Starec chrome	<i>Not with 90° front frame</i>	
<input type="radio"/>	DDX 0813	5" Starec techno-anthracite	<i>Not with 90° front frame</i>	
<input type="radio"/>	DDX 0818	5" Starec comet red	<i>Not with 90° front frame</i>	
<input type="radio"/>	DDX 0833	5" Starec copper glaze	<i>Not with 90° front frame</i>	
<input type="radio"/>	DDX 0827	5" Starec champagne	<i>Not with 90° front frame</i>	
<input type="radio"/>	DDX 0817	5" Starec b-blue	<i>Not with 90° front frame</i>	
<input type="radio"/>	DDX 0832	5" Starec arctic blue	<i>Not with 90° front frame</i>	
<input type="radio"/>	DDX 0828	5" Starec olive	<i>Not with 90° front frame</i>	
BEARING BLOCK MARKING				
<input type="radio"/>	DDX 0899	Bearing block cap with marking	<i>Complete table at end of script; Mounted on LH side; In CPS colour if selected</i>	
REAR WHEELS				
REAR WHEEL POSITION (X)				
<input type="radio"/>	DDX 0263	140mm (position 1)		N/C
<input type="radio"/>	DDX 0264	125mm (position 2)		N/C
<input type="radio"/>	DDX 0265	110mm (position 3)		N/C
<input type="radio"/>	DDX 0266	95mm (position 4)		N/C
<input type="radio"/>	DDX 0267	80mm (position 5)		N/C
				
CARBON AXLE CAMBER				
<input type="radio"/>	DDX 0270	Camber 0°		N/C
<input type="radio"/>	DDX 0271	Camber 3°		N/C
<input type="radio"/>	DDX 0272	Camber 6°	<i>Not with Twion adapter plate (DDX0926)</i>	N/C
QUAD QUICK RELEASE AXLE				
<input type="radio"/>	DDX 0909	Tetra Clip axle	<i>Not with wheels with integrated hub brakes (DDX0927) or Spinergy LXX (DDX0906)</i>	
REAR WHEEL SIZE				
<input type="radio"/>	DDX 0902	24"		N/C
<input type="radio"/>	DDX 0925	25"	<i>Only with High Performance Wheel (DDX0908)</i>	N/C
REAR WHEEL TYPE				
<input type="radio"/>	DDX 0915	24" Kuschall Starec, cross-spoked	<i>Starec hub colourless and rim black - Hub and rim CPS when selected</i>	N/C
<input type="radio"/>	DDX 0908	24", 25" High Performance	<i>Starec hub black or CPS when selected. Black rim</i>	
<input type="radio"/>	DDX 0906	24" Spinergy LXX	<i>Hub, rim and spokes black - CPS not available</i>	
<input type="radio"/>	DDX 0927	Wheels with integrated hub brakes	<i>24 silver spokes, black hub and rim - CPS not available</i>	
ALBER ADD ON KIT				
<i>Antitipper from Alber needs to be installed</i>				
<input type="radio"/>	DDX 0926	Twion adapter plate	<i>Not with 25" wheels (DDX0925) or 6° camber (DDX0272). 2 Alber antitippers included</i>	
REAR WHEEL TYRE				
<input type="radio"/>	DDX 1014	24", 25" Schwalbe Rightrun black/grey		N/C
<input type="radio"/>	DDX 1011	24", 25" Schwalbe ONE	<i>V-guard puncture resistant</i>	
<input type="radio"/>	DDX 1013	24" Schwalbe Rightrun blue	<i>K-guard puncture resistant</i>	
<input type="radio"/>	DDX 1010	24", 25" Schwalbe Marathon Plus	<i>SmartGuard puncture protected</i>	

NOTE: All specifications and dimensions are approximate.
For the most current information, go to www.invacare.com.au

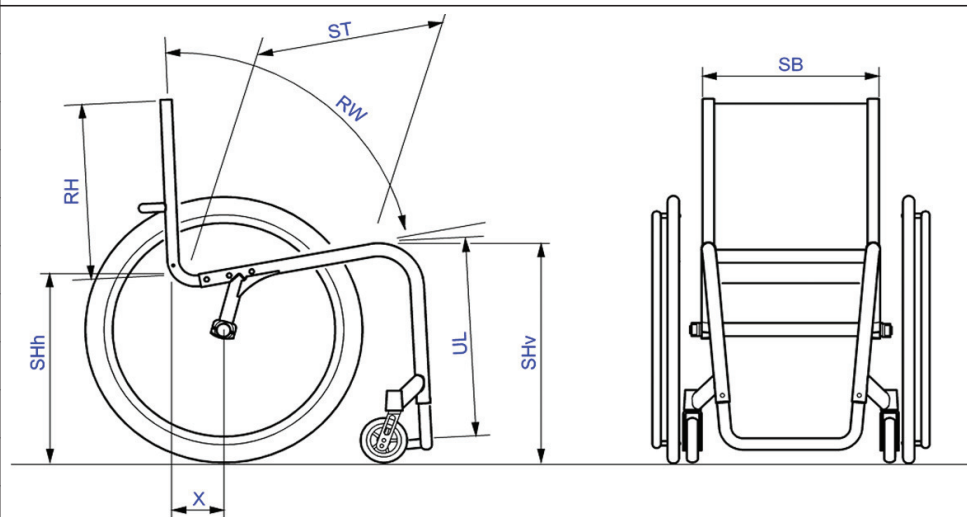
THE KSL

HANDRIM				
<input type="radio"/>	DDX 1113	24", 25" Light Alu, grey, dist 3cm	Short tabs with one hole at 3cm	N/C
<input type="radio"/>	DDX 1117	24", 25" Light Alu, black, dist 3cm	Short tabs with one hole at 3cm	
<input type="radio"/>	DDX 1106	24" Titanium, dist 3cm	Short tabs with one hole at 3cm	
<input type="radio"/>	DDX 1107	24" Titanium, dist 4cm	Long tabs with two holes, mounted at 4cm	
<input type="radio"/>	DDX 1104	24" Steel polished, dist 3cm	Short tabs with one hole at 3cm	
<input type="radio"/>	DDX 1102	24" Supergripp, dist 3cm or 4cm	Long tabs with two holes, mounted at 3cm	
<input type="radio"/>	DDX 1120	24", 25" The Surge LT 30mm, dist 3cm		
SPOKE GUARDS				<input type="radio"/> CLEAR
<input type="radio"/>	DDX 1200	24" Transparent	Not with Spinergy LXX wheels	
<input type="radio"/>	DDX 1202	24" küsch	Not with Spinergy LXX wheels	
SAFETY				
BRAKES				
<input type="radio"/>	DDX 1300	Standard brakes bent lever		N/C
<input type="radio"/>	DDX 1302	Performance brakes	Not with mudguards	
<input type="radio"/>	DDX 1303	Active scissor brakes	Not with ST38.5-40cm and rear wheel position 1, or 25" rear wheels and position 2	
<input type="radio"/>	DDX 1399	Without brakes	Only with wheels with integrated hub brakes (DDX0927)	N/C
ANTITIPPER				<input type="radio"/> CLEAR
<input type="radio"/>	DDX 1702	Antitipper right		
<input type="radio"/>	DDX 1703	Antitipper left		
<input type="radio"/>	DDX 1704	Antitipper both sides		
SEAT BELT				
<input type="radio"/>	DDX 1730	Seat belt		
PASSIVE LIGHTS (REFLECTORS)				<input type="radio"/> CLEAR
<input type="radio"/>	DDX 1710	Passive lights assembled (mounted on spokes)		
<input type="radio"/>	DDX 1711	Passive lights enclosed		
ACCESSORIES				
MOBILE PHONE HOLDER				
<input type="radio"/>	DDX 1746	Mobile phone holder	Enclosed	
FRONT FRAME PROTECTORS				
<input type="radio"/>	DDX 1739	Front frame protectors (2pc)		
MANUAL AIR PUMP				
<input type="radio"/>	DDX 1715	Air pump		
AIRMAN				
<input type="radio"/>	DDX 1716	Airman pump		
KÜSCHALL WATCH				<input type="radio"/> CLEAR
<input type="radio"/>	DDX 1712	Küschall watch, right side	Mounted on caster housing	
<input type="radio"/>	DDX 1713	Küschall watch, left side		
TOOL KIT				
<input type="radio"/>	DDX 1717	Tool kit		N/C
WHEEL BAG				
<input type="radio"/>	DDX 1728	Wheel bag		
WHEEL BAG AND WHEEL KITS				
<input type="radio"/>	DDX 1734	24" Mountain bike wheels with bag	Mountain bike wheels and tyres with alu grey handrims, quick-release axles incl	
LIFESTYLE COLLECTION AVAILABLE AS A SPARE PART				
<input type="radio"/>	1550289	Küschall Sweatshirt S		
<input type="radio"/>	1550290	Küschall Sweatshirt M		
<input type="radio"/>	1550291	Küschall Sweatshirt L		
<input type="radio"/>	1550292	Küschall Sweatshirt XL		
<input type="radio"/>	1513357	Küschall Jacket S		
<input type="radio"/>	1513358	Küschall Jacket M		
<input type="radio"/>	1513359	Küschall Jacket L		
<input type="radio"/>	1513360	Küschall Jacket XL		
<input type="radio"/>	1513361	Küschall Jacket XXL		
<input type="radio"/>	1553795	Küschall Body warmer S		
<input type="radio"/>	1553796	Küschall Body warmer M		
<input type="radio"/>	1553797	Küschall Body warmer L		
<input type="radio"/>	1553798	Küschall Body warmer XL		
<input type="radio"/>	1553799	Küschall Body warmer XXL		
<input type="radio"/>	1553800	Küschall Body warmer XXXL		
<input type="radio"/>	1486578	Küschall pen		N/C
<input type="radio"/>	1486577	Küschall pen set		
<input type="radio"/>	1531187	Küschall Cap black/grey		
<input type="radio"/>	1567038	Küschall silver light back pack		
<input type="radio"/>	1498740	Küschall Carbon Watch		
<input type="radio"/>	1486620	Küschall Measuring Tape		
<input type="radio"/>	1513362	Küschall USB Stick 2GB		
<input type="radio"/>	1517781	Küschall Scarf - black with crystals		

**NOTE: All specifications and dimensions are approximate.
For the most current information, go to www.invacare.com.au**

THE KSL

SUPPORT FOR MEASUREMENTS / MYKÜSCHALL REQUESTS



CUSTOMIZED MEASUREMENTS	
SB	
ST	
RH	
SHv	
SHh	
UL	
RW	
GL/GB	
USER WEIGHT	
USER SIZE	

The measurement of the rear wheel fixation (X on drawing) is done from the middle of the carbon camber axle to the middle of the backrest on a height of "rear seat-to-floor height (SHh) + 2cm, on a horizontal level.

The sideguards are fixed and mounted directly on the frame. The actual seat width corresponds to the values in the order form.

MYKüschall
Description of the request

DDX0899 BEARING BLOCK CAP MARKING	Line 1	<input type="text"/>	<input type="text"/>	<input type="text"/>	<input type="text"/>	<input type="text"/>	<input type="text"/>	<input type="text"/>	<input type="text"/>	<input type="text"/>
	Line 2	<input type="text"/>	<input type="text"/>	<input type="text"/>	<input type="text"/>	<input type="text"/>	<input type="text"/>	<input type="text"/>	<input type="text"/>	<input type="text"/>

Local Homologation number, ISO, MDA, TUV logos
 The product includes all standard features
 Maximum user weight: 100kg
 We reserve the right to deliver a + or - tolerance of +/- 10 mm on all measurements
 We reserve the right to make technical changes without notice

KÜSCHALL AG
BENKENSTRASSE 260
CH- 4108 WITTERSWIL
 Tel. +41 (0) 61 487 70 70
 Fax. +41 (0) 61 487 70 49 (Cust.Serv.)

NOTE: All specifications and dimensions are approximate.
For the most current information, go to www.invacare.com.au



Invacare Corporation
Australia
 1 Lenton Place
 North Rocks NSW 2151
 Australia
 1800 460 460

www.invacare.com.au
 ©2014 Invacare Corporation
 All rights reserved. Trademarks are identified by the symbols™ and ®. All trademarks are owned by or licensed to Invacare Corporation unless otherwise noted. Specifications and prices are subject to change without notification.