

KÜSCHALL COMPACT

Price List and Order Form

Customer Service: 1800 460 460

Fax: 1800 814 367

www.invacare.com.au



TRANSACTION TYPE:

Order Quote

Date _____ Account # _____ P.O. # _____

Company Name _____ Phone # _____

Address _____ City _____ State _____ Post Code _____ Country _____

Contact Name _____ Comments _____

Code	Description	Price
<input type="radio"/> DDP 0012	Küschall Compact	
<input type="radio"/> DDP 0000	MYKüschall special construction <i>Complete all information at end of script</i>	POA
SEATING CHOICE		
FRONT FRAME		
<input type="radio"/> DDP 0211	Standard	N/C
<input type="radio"/> DDP 0224	Abducted, LH	N/C
<input type="radio"/> DDP 0205	Abducted, RH	N/C
<input type="radio"/> DDP 0219	Abducted, LH & RH	N/C
SEAT WIDTH (SB)		
<input type="radio"/> DDP 0118	Seat width 28cm <i>Single cross brace</i>	N/C
<input type="radio"/> DDP 0120	Seat width 30cm <i>Single cross brace</i>	N/C
<input type="radio"/> DDP 0122	Seat width 32cm <i>Single cross brace</i>	N/C
<input type="radio"/> DDP 0124	Seat width 34cm <i>Single cross brace</i>	N/C
<input type="radio"/> DDP 0126	Seat width 36cm <i>Single cross brace</i>	N/C
<input type="radio"/> DDP 0128	Seat width 38cm <i>Single cross brace</i>	N/C
<input type="radio"/> DDP 0130	Seat width 40cm <i>Single cross brace</i>	N/C
<input type="radio"/> DDP 0132	Seat width 42cm <i>Single cross brace</i>	N/C
<input type="radio"/> DDP 0134	Seat width 44cm <i>Double cross brace</i>	N/C
<input type="radio"/> DDP 0136	Seat width 46cm <i>Double cross brace</i>	N/C
<input type="radio"/> DDP 0138	Seat width 48cm <i>Double cross brace</i>	N/C
<input type="radio"/> DDP 0140	Seat width 50cm <i>Double cross brace</i>	N/C
SEAT DEPTH (ST)		
<input type="radio"/> DDP 0408	Seat depth 32cm	N/C
<input type="radio"/> DDP 0410	Seat depth 34cm	N/C
<input type="radio"/> DDP 0412	Seat depth 36cm	N/C
<input type="radio"/> DDP 0415	Seat depth 38cm	N/C
<input type="radio"/> DDP 0417	Seat depth 40cm	N/C
<input type="radio"/> DDP 0420	Seat depth 42cm	N/C
<input type="radio"/> DDP 0422	Seat depth 44cm	N/C
<input type="radio"/> DDP 0424	Seat depth 46cm	N/C
<input type="radio"/> DDP 0427	Seat depth 48cm	N/C
<input type="radio"/> DDP 0429	Seat depth 50cm	N/C
BACK HEIGHT (RH)		
<input type="radio"/> DDP 0550	RH 30cm <i>Not with foldable back (DDP0734)</i>	N/C
<input type="radio"/> DDP 0503	RH 31.5cm <i>Not with foldable back (DDP0734)</i>	N/C
<input type="radio"/> DDP 0506	RH 33cm <i>Not with foldable back (DDP0734)</i>	N/C
<input type="radio"/> DDP 0509	RH 34.5cm <i>Not with foldable back (DDP0734) in combination with back angles 94° or 98°</i>	N/C
<input type="radio"/> DDP 0512	RH 36cm	N/C
<input type="radio"/> DDP 0514	RH 37.5cm	N/C
<input type="radio"/> DDP 0516	RH 39cm	N/C
<input type="radio"/> DDP 0518	RH 40.5cm	N/C
<input type="radio"/> DDP 0520	RH 42cm	N/C
<input type="radio"/> DDP 0522	RH 43.5cm	N/C
<input type="radio"/> DDP 0524	RH 45cm	N/C
<input type="radio"/> DDP 0526	RH 46.5cm	N/C
<input type="radio"/> DDP 0528	RH 48cm	N/C
<input type="radio"/> DDP 0530	RH 49.5cm	N/C
<input type="radio"/> DDP 0532	RH 51cm	N/C



**NOTE: All specifications and dimensions are approximate.
For the most current information, go to www.invacare.com.au**

KÜSCHALL COMPACT

FRONT SEAT-TO-FLOOR-HEIGHT (SHv)				Front wheel / Front wheel attachment	High mounted	Standard mounted	Low mounted
<input type="radio"/>	DDP 0843	SHv 41cm	N/C				
<input type="radio"/>	DDP 0844	SHv 42cm	N/C	5"	44 - 49	47 - 52	50 - 53
<input type="radio"/>	DDP 0845	SHv 43cm	N/C	6"	46 - 51	49 - 53	52 - 53
<input type="radio"/>	DDP 0846	SHv 44cm	N/C	7"	48 - 52	51 - 53	54 - 55*
<input type="radio"/>	DDP 0847	SHv 45cm	N/C				
<input type="radio"/>	DDP 0848	SHv 46cm	N/C				
<input type="radio"/>	DDP 0849	SHv 47cm	N/C				
<input type="radio"/>	DDP 0850	SHv 48cm	N/C				
<input type="radio"/>	DDP 0851	SHv 49cm	N/C				
<input type="radio"/>	DDP 0852	SHv 50cm	N/C				
<input type="radio"/>	DDP 0853	SHv 51cm	N/C				
<input type="radio"/>	DDP 0854	SHv 52cm	N/C				
<input type="radio"/>	DDP 0855	SHv 53cm	N/C				
REAR SEAT-TO-FLOOR-HEIGHT (SHh)				SHh / Rear wheel size			
<i>70° and 80° legrests: SHh = [SHv-10cm] to [SHv - 0cm]; 90° legrests: SHh = [SHv-10cm] to [SHv-3cm]</i>				22" : 38-47 cm			
<input type="radio"/>	DDP 0943	SHh 38cm	N/C	24" : 39-49 cm			
<input type="radio"/>	DDP 0944	SHh 39cm	N/C	26" : 42-50 cm			
<input type="radio"/>	DDP 0945	SHh 40cm	N/C				
<input type="radio"/>	DDP 0946	SHh 41cm	N/C				
<input type="radio"/>	DDP 0947	SHh 42cm	N/C				
<input type="radio"/>	DDP 0948	SHh 43cm	N/C				
<input type="radio"/>	DDP 0949	SHh 44cm	N/C				
<input type="radio"/>	DDP 0950	SHh 45cm	N/C				
<input type="radio"/>	DDP 0951	SHh 46cm	N/C				
<input type="radio"/>	DDP 0952	SHh 47cm	N/C				
<input type="radio"/>	DDP 0953	SHh 48cm	N/C				
<input type="radio"/>	DDP 0954	SHh 49cm	N/C				
<input type="radio"/>	DDP 0955	SHh 50cm	N/C				
KNEE-TO-HEEL LENGTH (UL)				<i>70° legrests: ULmax = [SHv-2cm] ; 80° and 90° legrests : ULmax = [SHv-3cm]</i>			
<input type="radio"/>	DDP 1662	UL 21cm	<i>Depending on the configuration, the footplate may be high mounted - see footrest section</i>	N/C			
<input type="radio"/>	DDP 1663	UL 22cm	<i>Depending on the configuration, the footplate may be high mounted - see footrest section</i>	N/C			
<input type="radio"/>	DDP 1664	UL 23cm	<i>Depending on the configuration, the footplate may be high mounted - see footrest section</i>	N/C			
<input type="radio"/>	DDP 1665	UL 24cm	<i>Depending on the configuration, the footplate may be high mounted - see footrest section</i>	N/C			
<input type="radio"/>	DDP 1666	UL 25cm	<i>Depending on the configuration, the footplate may be high mounted - see footrest section</i>	N/C			
<input type="radio"/>	DDP 1667	UL 26cm	<i>Depending on the configuration, the footplate may be high mounted - see footrest section</i>	N/C			
<input type="radio"/>	DDP 1668	UL 27cm	<i>Depending on the configuration, the footplate may be high mounted - see footrest section</i>	N/C			
<input type="radio"/>	DDP 1669	UL 28cm	<i>Depending on the configuration, the footplate may be high mounted - see footrest section</i>	N/C			
<input type="radio"/>	DDP 1670	UL 29cm	<i>Depending on the configuration, the footplate may be high mounted - see footrest section</i>	N/C			
<input type="radio"/>	DDP 1671	UL 30cm	<i>Depending on the configuration, the footplate may be high mounted - see footrest section</i>	N/C			
<input type="radio"/>	DDP 1672	UL 31cm	<i>Depending on the configuration, the footplate may be high mounted - see footrest section</i>	N/C			
<input type="radio"/>	DDP 1673	UL 32cm	<i>Depending on the configuration, the footplate may be high mounted - see footrest section</i>	N/C			
<input type="radio"/>	DDP 1674	UL 33cm	<i>Depending on the configuration, the footplate may be high mounted - see footrest section</i>	N/C			
<input type="radio"/>	DDP 1675	UL 34cm	<i>Depending on the configuration, the footplate may be high mounted - see footrest section</i>	N/C			
<input type="radio"/>	DDP 1676	UL 35cm	<i>Depending on the configuration, the footplate may be high mounted - see footrest section</i>	N/C			
<input type="radio"/>	DDP 1677	UL 36cm	<i>Depending on the configuration, the footplate may be high mounted - see footrest section</i>	N/C			
<input type="radio"/>	DDP 1678	UL 37cm	<i>Depending on the configuration, the footplate may be high mounted - see footrest section</i>	N/C			
<input type="radio"/>	DDP 1679	UL 38cm	<i>Depending on the configuration, the footplate may be high mounted - see footrest section</i>	N/C			
<input type="radio"/>	DDP 1680	UL 39cm	<i>Depending on the configuration, the footplate may be high mounted - see footrest section</i>	N/C			
<input type="radio"/>	DDP 1681	UL 40cm	<i>Depending on the configuration, the footplate may be high mounted - see footrest section</i>	N/C			
<input type="radio"/>	DDP 1682	UL 41cm	<i>Depending on the configuration, the footplate may be high mounted - see footrest section</i>	N/C			
<input type="radio"/>	DDP 1683	UL 42cm	<i>Depending on the configuration, the footplate may be high mounted - see footrest section</i>	N/C			
<input type="radio"/>	DDP 1684	UL 43cm	<i>Depending on the configuration, the footplate may be high mounted - see footrest section</i>	N/C			
<input type="radio"/>	DDP 1685	UL 44cm	<i>Depending on the configuration, the footplate may be high mounted - see footrest section</i>	N/C			
<input type="radio"/>	DDP 1686	UL 45cm	<i>Depending on the configuration, the footplate may be high mounted - see footrest section</i>	N/C			
<input type="radio"/>	DDP 1687	UL 46cm	<i>Depending on the configuration, the footplate may be high mounted - see footrest section</i>	N/C			
<input type="radio"/>	DDP 1688	UL 47cm	<i>Depending on the configuration, the footplate may be high mounted - see footrest section</i>	N/C			
<input type="radio"/>	DDP 1689	UL 48cm	<i>Depending on the configuration, the footplate may be high mounted - see footrest section</i>	N/C			
<input type="radio"/>	DDP 1690	UL 49cm	<i>Depending on the configuration, the footplate may be high mounted - see footrest section</i>	N/C			
<input type="radio"/>	DDP 1691	UL 50cm	<i>Depending on the configuration, the footplate may be high mounted - see footrest section</i>	N/C			
<input type="radio"/>	DDP 1692	UL 51cm	<i>Depending on the configuration, the footplate may be high mounted - see footrest section</i>	N/C			
BACKREST CHOICE							
BACK TUBE							
<input type="radio"/>	DDP 0736	Fixed straight backrest tubes standard		N/C			
<input type="radio"/>	DDP 0705	Lumbal tubes					
<input type="radio"/>	DDP 0720	Angle-adjustable back					
<input type="radio"/>	DDP 0734	Foldable back (to the front)	<i>Not with RH 30 - 33cm, tubular armrests, height-adj rear set push handles</i>				

**NOTE: All specifications and dimensions are approximate.
For the most current information, go to www.invacare.com.au**

KÜSCHALL COMPACT

BACK ANGLE ADJUSTMENT				○ CLEAR
<input type="radio"/>	DDP 0707	Angle adjustable backrest, adjusted 82°	<i>Not with fixed backrest (DDP0736) or lumbar tubes (DDP0705)</i>	N/C
<input type="radio"/>	DDP 0718	Angle adjustable backrest, adjusted 86°	<i>Not with fixed backrest (DDP0736) or lumbar tubes (DDP0705)</i>	N/C
<input type="radio"/>	DDP 0709	Angle adjustable backrest, adjusted 90°	<i>Not with fixed backrest (DDP0736) or lumbar tubes (DDP0705)</i>	N/C
<input type="radio"/>	DDP 0719	Angle adjustable backrest, adjusted 94°	<i>Not with fixed backrest (DDP0736) or lumbar tubes (DDP0705)</i>	N/C
<input type="radio"/>	DDP 0711	Angle adjustable backrest, adjusted 98°	<i>Not with fixed backrest (DDP0736) or lumbar tubes (DDP0705)</i>	N/C
<input type="radio"/>	DDP 0712	Angle adjustable backrest, adjusted 102°	<i>Only for angle adjustable back (DDP0720)</i>	N/C
BACK UPHOLSTERY				
<input type="radio"/>	DDP 0700	Standard upholstery	<i>Not with backrest stabilization bar or height-adj rear-set push handles</i>	N/C
<input type="radio"/>	DDP 0721	Light back	<i>Not with SB 28-32cm and SB 50cm, RH < 36cm, backrest stabilization bar or height-adj rear-set push handles</i>	
<input type="radio"/>	DDP 0722	Tension velcro adjustable back black/grey with cover on seat		
<input type="radio"/>	DDP 0735	Aero back, tension velcro adjustable		
PUSH HANDLES				
<input type="radio"/>	DDP 0702	Push handles fixed, long		
<input type="radio"/>	DDP 0750	Without push handles	<i>Not with drum brakes (DDP1304)</i>	N/C
<input type="radio"/>	DDP 0751	Push handles fixed, mini	<i>Not with drum brakes (DDP1304)</i>	
<input type="radio"/>	DDP 0703	Height-adjustable rear set	<i>Not with foldable back, std and light back upholstery, and tubular armrests</i>	
<input type="radio"/>	DDP 0733	Height-adjustable, integrated	<i>Not with backrest stabilisation bar (DDP1491)</i>	
<input type="radio"/>	DDP 0704	Foldable push handles	<i>Not with drum brakes (DDP1304)</i>	
BACKREST STABILIZATION BAR				<i>Not with folding push handles, height-adj integrated push handles, std or light upholstery, or RH 30-39cm</i>
<input type="radio"/>	DDP 1491	Backrest stabilization bar, swing away removable		
SEATING				
SEAT UPHOLSTERY				
<input type="radio"/>	DDP 0611	Standard seat upholstery with 1 central velcro band (soft)		N/C
<input type="radio"/>	DDP 0614	Seat upholstery with 1 central (soft) and 2 side velcro bands (rough)		N/C
SEAT CUSHION				
<input type="radio"/>	DDP 0600	Standard seat cushion, 60mm, double foam with visco top		
<input type="radio"/>	DDP 0662	Matrx Libra cushion	<i>SB36cm only with ST38-40cm; not with SB < 36cm, ST 36cm</i>	
<input type="radio"/>	DDP 0663	Matrx Vi cushion	<i>Not in SB < 40cm, or ST < 40cm</i>	
SEAT OPTION				
<input type="radio"/>	DDP 0606	Seat bag, click in and removable		
SEAT UPHOLSTERY BAGS				
<input type="radio"/>	DDP 0616	Small bag	<i>To fix under the seat. Not with ST < 36cm</i>	
<input type="radio"/>	DDP 0617	Big bag	<i>To fix under the seat. Not with ST < 36cm</i>	
FOOTREST				
LEGREST				
<input type="radio"/>	DDP 1540	Legrest, angle open, 70°		N/C
<input type="radio"/>	DDP 1541	Legrest, angle mid-closed, 80°	<i>Not possible with 7" front wheels (DDP0822)</i>	N/C
<input type="radio"/>	DDP 1542	Legrest, angle closed, 90°	<i>Not possible with 6" (DDP0820, DDP0821) and 7" front wheels (DDP0822)</i>	N/C
<input type="radio"/>	DDP 1555	Without legrests		N/C
				Special legrests eg. amputee legrest, elevating legrests etc. are compatible for seat widths > 36 cm. Please contact Invacare Customer Service
FOOTREST				
<input type="radio"/>	DDP 1562	2 pc. plastic, set to front	<i>Not with SB<34cm, UL<26cm ; High mount for UL<34cm</i>	N/C
<input type="radio"/>	DDP 1563	2 pc. plastic, set back	<i>Not with SB<34cm, UL<26cm ; High mount for UL<34cm</i>	N/C
<input type="radio"/>	DDP 1564	2 pc. angle adjustable, set to front	<i>Not with SB<34cm, UL<34cm ; High mount for UL<38cm</i>	
<input type="radio"/>	DDP 1565	2 pc. angle adjustable, set back	<i>Not with SB<34cm, UL<34cm ; High mount for UL<38cm</i>	
<input type="radio"/>	DDP 1578	2 pc. carbon footplates, set to front	<i>High mount for UL<30cm</i>	
<input type="radio"/>	DDP 1579	2 pc. carbon footplates, set back	<i>High mount for UL<30cm</i>	
<input type="radio"/>	DDP 1566	1 pc. adj carbon flip-up footplate, fixed on 1 side, set to front	<i>Not with UL<30cm</i>	
<input type="radio"/>	DDP 1567	1 pc. adj carbon flip-up footplate, fixed on 1 side, set back	<i>Not with UL<30cm</i>	
FOOT AND LEG SUPPORT				
<input type="radio"/>	DDP 1534	Calf strap		N/C
<input type="radio"/>	DDP 1530	Heel loops		N/C
SIDE GUARDS				
SIDE GUARDS				
<input type="radio"/>	DDP 1400	Clothes guards carbon		N/C
<input type="radio"/>	DDP 1405	Mud guards carbon, fixed	<i>Not with SHh < 41 cm, rear wheel ext, one-arm drive system (DDP1118/1119)</i>	
<input type="radio"/>	DDP 1408	Mud guards carbon, removable		
SIDERESTS				
<input type="radio"/>	DDP 1416	Siderest height adjustable (tools), removable, short, non-locking		
<input type="radio"/>	DDP 1421	Siderest height adjustable (tools), removable, long, non-locking		
<input type="radio"/>	DDP 1440	Siderest w/desk function, flip-back, height adj, removable, short	<i>See note</i>	
<input type="radio"/>	DDP 1441	Siderest w/desk function, flip-back, height adj, removable, long	<i>See note</i>	
				NOTE FOR DDP1440/41: Not with performance brakes, standard brakes levers bent, therapy table or 3° camber
ARMRESTS				
<input type="radio"/>	DDP 1411	Tubular armrests, height-adj, removable, padded	<i>Not with Alber add-on kits, push handles height-adj rear set</i>	
<input type="radio"/>	DDP 1423	Hemi armrest, left	<i>Other side clothes or mud guard mounted or siderest with desk function</i>	
<input type="radio"/>	DDP 1422	Hemi armrest, right	<i>Other side clothes or mud guard mounted or siderest with desk function</i>	

**NOTE: All specifications and dimensions are approximate.
For the most current information, go to www.invacare.com.au**

KÜSCHALL COMPACT

FRAME																							
COLOUR		Colour difference of 7% may be possible between legrests, frames and cross-brace (official ISO norm)																					
<input type="radio"/>	DDP 0300	Glossy black	N/C																				
<input type="radio"/>	DDP 0302	Royal blue	N/C																				
<input type="radio"/>	DDP 0303	Royal red	N/C																				
<input type="radio"/>	DDP 0314	Black matt	N/C																				
<input type="radio"/>	DDP 0315	Silver grey	N/C																				
<input type="radio"/>	DDP 0350	Purple fire	N/C																				
<input type="radio"/>	DDP 0354	Night shimmer	N/C																				
<input type="radio"/>	DDP 0357	Umber glaze	N/C																				
<input type="radio"/>	DDP 0356	Ivory white	N/C																				
<input type="radio"/>	DDP 0358	Smokey grey	N/C																				
<input type="radio"/>	DDP 0359	Flashy yellow	N/C																				
<input type="radio"/>	DDP 0365	Mercury blue	N/C																				
<input type="radio"/>	DDP 0366	Dynamite orange	N/C																				
<input type="radio"/>	DDP 0367	Atomic violet	N/C																				
<input type="radio"/>	DDP 0368	Nitro pink	N/C																				
COLOUR POWERSET (CPS)		Small shade differences are possible																					
<input type="radio"/>	DDP 0338	CPS chrome	N/C																				
<input type="radio"/>	DDP 0330	CPS techno-anthracite	N/C																				
<input type="radio"/>	DDP 0329	CPS comet red	N/C																				
<input type="radio"/>	DDP 0337	CPS copper glaze	N/C																				
<input type="radio"/>	DDP 0339	CPS champagne	N/C																				
<input type="radio"/>	DDP 0334	CPS b-blue	N/C																				
<input type="radio"/>	DDP 0336	CPS arctic blue	N/C																				
<input type="radio"/>	DDP 0340	CPS olive	N/C																				
<input type="radio"/> CLEAR CPS applies to the following parts: Starec & High Performance hubs,, 22" and 24" Starec rear wheel rims (except for chrome), Starec front wheels, forks, front seat module caps, legrest levers, rear wheel adapter plates																							
FRONT WHEEL ATTACHMENT																							
FRONT WHEEL ATTACHMENT																							
<input type="radio"/>	DDP 0864	High mounted	N/C																				
<input type="radio"/>	DDP 0865	Standard mounted	N/C																				
<input type="radio"/>	DDP 0866	Low mounted	N/C																				
FRONT WHEEL																							
FRONT WHEEL																							
<input type="radio"/>	DDP 0801	4" Everyday wheel with black rubber	N/C																				
<input type="radio"/>	DDP 0860	4" Comfort wheel with black rubber	N/C																				
<input type="radio"/>	DDP 0809	4" Starec black	N/C																				
<input type="radio"/>	DDP 0861	4" Starec chrome	N/C																				
<input type="radio"/>	DDP 0803	4" Starec techno-anthracite	N/C																				
<input type="radio"/>	DDP 0808	4" Starec comet red	N/C																				
<input type="radio"/>	DDP 0830	4" Starec copper glaze	N/C																				
<input type="radio"/>	DDP 0825	4" Starec champagne	N/C																				
<input type="radio"/>	DDP 0807	4" Starec b-blue	N/C																				
<input type="radio"/>	DDP 0831	4" Starec arctic blue	N/C																				
<input type="radio"/>	DDP 0826	4" Starec olive	N/C																				
<input type="radio"/>	DDP 0810	5" Light wheel with black rubber	N/C																				
<input type="radio"/>	DDP 0863	5" Comfort wheel with black rubber	N/C																				
<input type="radio"/>	DDP 0819	5" Starec black	N/C																				
<input type="radio"/>	DDP 0862	5" Starec chrome	N/C																				
<input type="radio"/>	DDP 0813	5" Starec techno-anthracite	N/C																				
<input type="radio"/>	DDP 0818	5" Starec comet red	N/C																				
<input type="radio"/>	DDP 0833	5" Starec copper glaze	N/C																				
<input type="radio"/>	DDP 0827	5" Starec champagne	N/C																				
<input type="radio"/>	DDP 0817	5" Starec b-blue	N/C																				
<input type="radio"/>	DDP 0832	5" Starec arctic blue	N/C																				
<input type="radio"/>	DDP 0828	5" Starec olive	N/C																				
<input type="radio"/>	DDP 0820	6" Light wheel with black rubber	N/C																				
<input type="radio"/>	DDP 0821	6" Pneumatic wheel	N/C																				
<input type="radio"/>	DDP 0822	7" Light wheel	N/C																				
<table border="1" style="font-size: x-small; border-collapse: collapse;"> <thead> <tr> <th>Front wheel / Front wheel attachment</th> <th>High mounted</th> <th>Standard mounted</th> <th>Low mounted</th> </tr> </thead> <tbody> <tr> <td>4"</td> <td>41 - 48</td> <td>44 - 51</td> <td>47 - 53</td> </tr> <tr> <td>5"</td> <td>44 - 49</td> <td>47 - 52</td> <td>50 - 53</td> </tr> <tr> <td>6"</td> <td>46 - 51</td> <td>49 - 53</td> <td>52 - 53</td> </tr> <tr> <td>7"</td> <td>48 - 52</td> <td>51 - 53</td> <td>54 - 55*</td> </tr> </tbody> </table>				Front wheel / Front wheel attachment	High mounted	Standard mounted	Low mounted	4"	41 - 48	44 - 51	47 - 53	5"	44 - 49	47 - 52	50 - 53	6"	46 - 51	49 - 53	52 - 53	7"	48 - 52	51 - 53	54 - 55*
Front wheel / Front wheel attachment	High mounted	Standard mounted	Low mounted																				
4"	41 - 48	44 - 51	47 - 53																				
5"	44 - 49	47 - 52	50 - 53																				
6"	46 - 51	49 - 53	52 - 53																				
7"	48 - 52	51 - 53	54 - 55*																				
REAR WHEEL CHOICE																							
ONE ARM DRIVE SYSTEM																							
Not with rear wheel extension, fixed mudguards (DDP1405), drum brakes, spoke guards, 3° camber, tetra clip																							
<input type="radio"/>	DDP 1118	One arm drive system right side (with light wheel 7bar tyres, alu handrims)	N/C																				
<input type="radio"/>	DDP 1119	One arm drive system left side (with light wheel 7bar tyres, alu handrims)	N/C																				
<input type="radio"/> CLEAR																							
REAR WHEEL FIXATION																							
<input type="radio"/>	DDP 0250	Standard fixation	N/C																				
<input type="radio"/>	DDP 0249	Rear wheel extension	N/C																				

**NOTE: All specifications and dimensions are approximate.
For the most current information, go to www.invacare.com.au**

KÜSCHALL COMPACT

REAR WHEEL POSITION		<i>Position 5 and 6 only possible with rear wheel extension</i>	
<input type="radio"/>	DDP 0263	1st position	Not with rear wheel extension, or 3° camber (DDP0283)
<input type="radio"/>	DDP 0264	2nd position	
<input type="radio"/>	DDP 0265	3rd position	
<input type="radio"/>	DDP 0266	4th position	Not with one arm drive, Alber add-on kits
<input type="radio"/>	DDP 0267	5th position	Not with one arm drive, Alber add-on kits
<input type="radio"/>	DDP 0268	6th position	Not with one arm drive, Alber add-on kits
QUAD QUICK RELEASE AXLE			
<input type="radio"/>	DDP 0909	Tetra Clip axle	Not with integrated hub brakes (DDP0927) or Spinerger LXX (DDP0906)
REAR WHEEL SIZE			
<input type="radio"/>	DDP 0901	22"	N/C
<input type="radio"/>	DDP 0902	24"	N/C
<input type="radio"/>	DDP 0903	26"	N/C
REAR WHEEL CAMBER			
<input type="radio"/>	DDP 0282	Camber 0°	N/C
<input type="radio"/>	DDP 0283	Camber 3°	Not with 26" rear wheels (DDP0903), one arm drive (DDP1118/1119) or 1st position (DDP0263)
REAR WHEEL TYPE			
<input type="radio"/>	DDP 0915	22", 24", 26" Kuschall Starec	Starec hub colourless and rim black - Hub and rim CPS when selected
<input type="radio"/>	DDP 0908	24" High Performance (Starec Hub)	Starec hub black or CPS when selected. Black rim
<input type="radio"/>	DDP 0906	24" Spinerger LXX	Hub, rim and spokes black - CPS not available
ALBER ADD ON KIT <i>Special adapter plate is mounted and only first three positions are available. Antitipper from Alber needs to be installed</i>			
<input type="radio"/>	DDP 0916	E-motion adapter plate	Only with 24" wheel (DDP0902). Not with 3° camber (DDP0283) or tubular armrests (DDP1414)
<input type="radio"/>	DDP 0926	Twion adapter plate	Only with 24" wheel (DDP0902). Not with 3° camber (DDP0283) or tubular armrests (DDP1414)
REAR WHEEL TYRE <i>24" high performance wheel only with light wheel, profile or Marathon Evolution tyre. Not for Mountain Bike wheels</i>			
<input type="radio"/>	DDP 1014	22", 24", 26" Schwalbe Rightrun black/grey	
<input type="radio"/>	DDP 1002	22", 24" Profile tyre 7 bar	
<input type="radio"/>	DDP 1004	24" Solid tyre, profile, grey	Not with High Perf (DDP0908) or Spinerger LXX wheels (DDP0906)
<input type="radio"/>	DDP 1006	24" Solid tyre (KIK type), black	Not with High Perf (DDP0908) or Spinerger LXX wheels (DDP0906)
<input type="radio"/>	DDP 1007	22", 24" Solid light wheel	Not with High Perf (DDP0908) or Spinerger LXX wheels (DDP0906)
<input type="radio"/>	DDP 1010	24", 26" Schwalbe Marathon Plus	SmartGuard puncture protected
<input type="radio"/>	DDP 1011	24" Schwalbe ONE	V-Guard puncture resistant
ANTI FLAT			
<input type="radio"/>	DDP 1020	Anti-flat tyre tube protection	Not with Marathon Plus tyres (DDP1010), solid tyres or one-arm drive (DDP1118/1119)
HANDRIM			
<input type="radio"/>	DDP 1113	24", 25", 26" Light Alu, grey, dist 3cm	Short tabs with one hole at 3cm
<input type="radio"/>	DDP 1114	24", 25", 26" Light Alu, grey, dist 4cm	Long tabs with two holes at 3cm or 4cm, mounted at 4cm
<input type="radio"/>	DDP 1117	24", 25", 26" Light Alu, black, dist 3cm	Short tabs with one hole at 3cm
<input type="radio"/>	DDP 1102	24", 26" Supergrripp, dist 3cm or 4cm	Long tabs with two holes, mounted at 3cm; Not with one-arm drive system
<input type="radio"/>	DDP 1104	24", 26" Steel polished, dist 3cm	Short tabs with one hole at 3cm; Not with one-arm drive system
<input type="radio"/>	DDP 1120	24", 25" The Surge LT 30mm, dist 3cm	Not with one-arm drive system
<input type="radio"/>	DDP 1106	24" Titanium, dist 3cm	Short tabs with one hole at 3cm; Not with one-arm drive system
<input type="radio"/>	DDP 1107	24" Titanium, dist 4cm	Long tabs with two holes, mounted at 4cm; Not with one-arm drive system
SPOKE GUARDS <i>Not possible with Spinerger LXX wheels (DDP0906)</i>			
<input type="radio"/>	DDP 1200	22", 24", 26" Transparent	
<input type="radio"/>	DDP 1202	24" küsch	
SAFETY			
BRAKES <i>Please note that depending on the configuration the brake may collide with the legrests</i>			
<input type="radio"/>	DDP 1300	Standard brakes, bent lever	Not with abduction frame
<input type="radio"/>	DDP 1301	Standard brakes, straight lever	
<input type="radio"/>	DDP 1302	Performance brakes	Not with 3° camber, drum brakes, abduction frame or siderests with desk function
<input type="radio"/>	DDP 1303	Active scissor brakes	See table at right (for 24" wheels)
<input type="radio"/>	DDP 1306	Pull brake	
BRAKE EXTENSION LEVER			
<input type="radio"/>	DDP 1310	Brake extension lever	Not with performance brakes (DDP1302) or scissor brakes (DDP1306)
DRUM BRAKE <i>Specific rear wheel mounted with black adapterplate</i>			
<input type="radio"/>	DDP 1304	Attendant drum brake	Not with quad release, 3° camber, foldable or mini push handles, spokeguards, 1st rear position
ANTITIPPER <i>Max 2 options per side, eg antitipper, tipper aid, cane holder, transit wheel</i>			
<input type="radio"/>	DDP 1702	Antitipper right	
<input type="radio"/>	DDP 1703	Antitipper left	
<input type="radio"/>	DDP 1704	Antitipper both sides	
TRANSPORTATION KIT			
<input type="radio"/>	DDP 1770	Transportation kit inc seat belt and labels	Only available if backrest height > 40cm
SEAT BELT			
<input type="radio"/>	DDP 1730	Seat belt	Not with transportation kit (DDP1770)
PASSIVE LIGHTS (REFLECTORS)			
<input type="radio"/>	DDP 1710	Passive lights assembled (mounted on spokes)	
<input type="radio"/>	DDP 1711	Passive lights enclosed	

 CLEAR

 CLEAR

Scissor brakes	Rear wheel position					
	1	2	3	4	5	6
ST32-38						
ST40						
ST42						
ST44						
ST46						
ST48						
ST50						

**NOTE: All specifications and dimensions are approximate.
For the most current information, go to www.invacare.com.au**

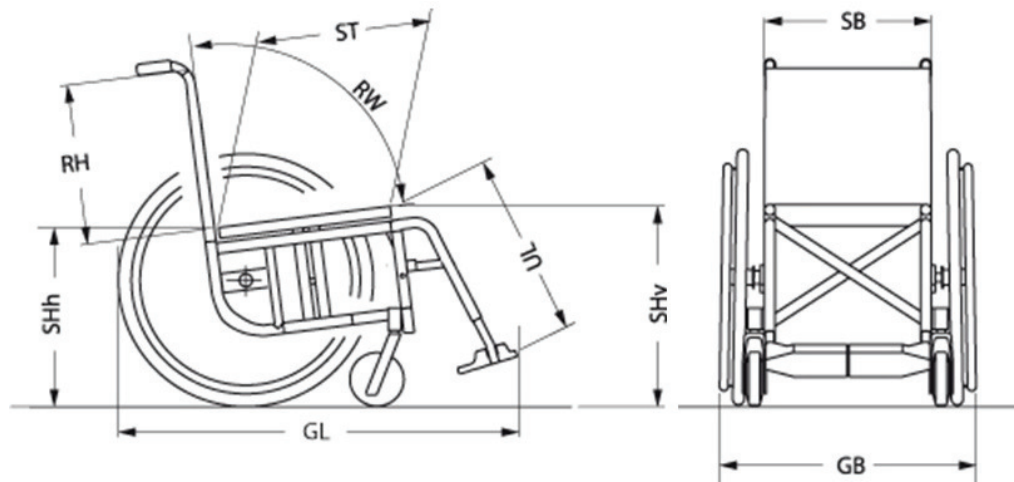
KÜSCHALL COMPACT

ACCESSORIES			
PACKAGE HOLDER			
<input type="radio"/>	DDP 1744	Package holder	<i>Enclosed</i>
BOTTLE HOLDER			
<input type="radio"/>	DDP 1745	Bottle holder inc bottle	<i>Enclosed</i>
MOBILE PHONE HOLDER			
<input type="radio"/>	DDP 1746	Mobile phone holder	<i>Enclosed</i>
REAR FRAME PROTECTION			
<input type="radio"/>	DDP 1729	Rear frame protection	<i>Mounted on rear frame</i>
THERAPY TABLE			
<input type="radio"/>	DDP 1760	Therapy table	<i>Only with siderests height-adj removable. Not possible with SB < 36cm</i>
TIPPER AID			
<i>Max 2 options per side, eg antitipper, tipper aid, cane holder, transit wheel</i>			
<input type="radio"/>	DDP 1708	Tipper-Aid right	<i>Not on same side as cane holder</i>
<input type="radio"/>	DDP 1709	Tipper-Aid left	<i>Not on same side as cane holder</i>
<input type="radio"/>	DDP 1718	Tipper-Aid both sides	<i>Not possible with cane holder</i>
CANE HOLDER			
<i>Max 2 options per side, eg antitipper, tipper aid, cane holder, transit wheel</i>			
<input type="radio"/>	DDP 1706	Cane holder right	<i>Not with E-Motion adapter. Not on same side as tipper-aid</i>
<input type="radio"/>	DDP 1707	Cane holder left	<i>Not with E-Motion adapter. Not on same side as tipper-aid</i>
<input type="radio"/>	DDP 1719	Cane holder both sides	<i>Not with E-Motion adapter. Not with tipper-aid</i>
TRANSIT WHEELS 3"			
<i>Max 2 options per side, eg antitipper, tipper aid, cane holder, transit wheel</i>			
<input type="radio"/>	DDP 1700	Transit wheels 3"	
MANUAL AIR PUMP			
<input type="radio"/>	DDP 1715	Air pump	
AIRMAN			
<input type="radio"/>	DDP 1716	Airman pump	
KÜSCHALL WATCH			
<i>Mounted in caster housing</i>			
<input type="radio"/>	DDP 1712	Küschall watch, right side	
<input type="radio"/>	DDP 1713	Küschall watch, left side	
TOOL KIT			
<input type="radio"/>	DDP 1717	Tool kit	N/C
WHEEL BAG			
<input type="radio"/>	DDP 1728	Wheel bag (for 24" and 26" rear wheels)	
WHEEL BAG AND WHEEL KITS			
<input type="radio"/>	DDP 1734	24" Mountain bike wheels with bag	<i>Mountain bike wheels and tyres with alu grey handrims</i>
LIFESTYLE COLLECTION AVAILABLE AS A SPARE PART			
<input type="radio"/>	1531487	Küschall Compact Polo shirt S	
<input type="radio"/>	1531539	Küschall Compact Polo shirt M	
<input type="radio"/>	1531540	Küschall Compact Polo shirt L	
<input type="radio"/>	1531541	Küschall Compact Polo shirt XL	
<input type="radio"/>	1531542	Küschall Compact Polo shirt XXL	
<input type="radio"/>	1531382	Küschall T-Shirt black/grey M man	
<input type="radio"/>	1531383	Küschall T-Shirt black/grey L man	
<input type="radio"/>	1531463	Küschall T-Shirt black/grey XL man	
<input type="radio"/>	1531464	Küschall T-Shirt black/grey XXL man	
<input type="radio"/>	1531189	Küschall T-Shirt black/grey S woman	
<input type="radio"/>	1531379	Küschall T-Shirt black/grey M woman	
<input type="radio"/>	1531380	Küschall T-Shirt black/grey L woman	
<input type="radio"/>	1531381	Küschall T-Shirt black/grey XL woman	
<input type="radio"/>	1550289	Küschall Sweatshirt S	
<input type="radio"/>	1550290	Küschall Sweatshirt M	
<input type="radio"/>	1550291	Küschall Sweatshirt L	
<input type="radio"/>	1550292	Küschall Sweatshirt XL	
<input type="radio"/>	1513357	Küschall Jacket S	
<input type="radio"/>	1513358	Küschall Jacket M	
<input type="radio"/>	1513359	Küschall Jacket L	
<input type="radio"/>	1513360	Küschall Jacket XL	
<input type="radio"/>	1513361	Küschall Jacket XXL	
<input type="radio"/>	1553795	Küschall Body warmer S	
<input type="radio"/>	1553796	Küschall Body warmer M	
<input type="radio"/>	1553797	Küschall Body warmer L	
<input type="radio"/>	1553798	Küschall Body warmer XL	
<input type="radio"/>	1553799	Küschall Body warmer XXL	
<input type="radio"/>	1553800	Küschall Body warmer XXXL	
<input type="radio"/>	1486578	Küschall pen	N/C
<input type="radio"/>	1486577	Küschall pen set	
<input type="radio"/>	1531187	Küschall Cap black/grey	
<input type="radio"/>	1567038	Küschall silver light back pack	
<input type="radio"/>	1486620	Küschall Measuring Tape	
<input type="radio"/>	1513362	Küschall USB Stick 2GB	
<input type="radio"/>	1517781	Küschall Scarf - black with crystals	

**NOTE: All specifications and dimensions are approximate.
For the most current information, go to www.invacare.com.au**

KÜSCHALL COMPACT

SUPPORT FOR MEASUREMENTS / MYKÜSCHALL REQUESTS



CUSTOMIZED MEASUREMENTS

SB	
ST	
RH	
SHv	
SHh	
UL	
RW	
GL/GB	
USER WEIGHT	
USER SIZE	

MYKüschall

Description of the request



Local Homologation number, ISO, MDA, TUV logos

The product includes all standard features

Maximum user weight: 130kg

We reserve the right to deliver a + or - tolerance of +/- 10 mm on all measurements

We reserve the right to make technical changes without notice



KÜSCHALL AG

BENKENSTRASSE 260

CH- 4108 WITTERSWIL

Tel. +41 (0) 61 487 70 70

Fax. +41 (0) 61 487 70 49 (Cust.Serv.)

Print Form

Email Form

Clear Form

NOTE: All specifications and dimensions are approximate.
For the most current information, go to www.invacare.com.au



Invacare Corporation www.invacare.com.au

Australia
 1 Lenton Place
 North Rocks NSW 2151
 Australia
 1800 460 460

©2014 Invacare Corporation
 All rights reserved. Trademarks are identified by the symbols™ and ®. All trademarks are owned by or licensed to Invacare Corporation unless otherwise noted. Specifications and prices are subject to change without notification.