

# Comet Pro

POWER AND PERFORMANCE IN A PREMIUM PACKAGE



Whether you're popping to the local shops, taking longer trips into town, or looking to go further afield, the new Comet Pro will take you the distance in comfort, safety and style. Its powerful outdoor capabilities, combined with advanced safety features and options, ensures a speedy, powerful and reliable drive.



Only Available  
in New Zealand



Yes, you can.®

Making Life's  
Experiences Possible

# Comet Pro



Large 13" front and rear wheels, combined with a superior suspension system, allows the safe negotiation of kerbs and obstacles in a smooth and comfortable manner. Additionally, the automatic speed reduction will slow you down when driving around corners at high speed for additional stability and safety.

Advanced safety features, such as a two step disengaging lever and automatic speed reduction, offers additional peace of mind wherever you go.

The Comet Pro offers exceptional manoeuvrability and control, even through tight and challenging spaces. Additionally, the ergonomic steering ensures an optimal driving position, allowing for a more enjoyable and relaxing journey.

## Features



Advanced suspension for a smooth and comfortable drive over rugged terrain.



Easy drive direction stability keeps you in a straight line at high speeds for additional safety and stability.





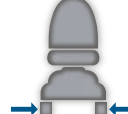













Two step disengaging lever prevents the scooter from accidentally free-wheeling.

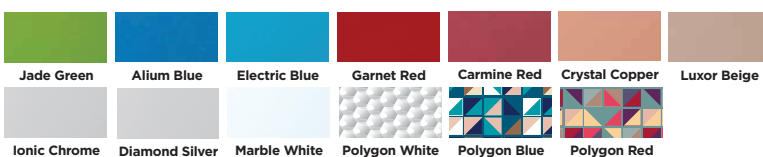


Automatic speed reduction reduces speed around bends for added safety.

## Tech Specs

 <b>Backrest width</b> 510 mm	 <b>Seat depth</b> 470mm	 <b>Floor to seat height</b> Min. 440 mm Max. 510 mm	 <b>Backrest height</b> 490mm	 <b>Driving unit width</b> 665 - 685 mm	 <b>Total length</b> 1450 mm	 <b>Empty weight</b> 136 kg	 <b>Max user weight</b> 160 kg
 <b>Battery capacity</b> 2 x 12 V/75 Ah	 <b>Turning diameter</b> 2750 mm	 <b>Max climbable obstacle height</b> 100 mm	 <b>Ground clearance</b> 100 mm	 <b>Max safe slope</b> 10°	 <b>Max driving distance</b> 55 km	 <b>Max driving speed</b> 15 km/h	 <b>Motor capacity</b> 550 W / 1600 W

## Colour Options



\* Warranty Terms and Conditions apply. Contact Invacare for full details.

FOR FURTHER INFORMATION:

**New Zealand:** Freephone 0800 468 222, email [sales@invacare.co.nz](mailto:sales@invacare.co.nz) or visit [www.invacare.co.nz](http://www.invacare.co.nz)

**Australia:** Freephone 1800 460 460, email [orders@invacare.com.au](mailto:orders@invacare.com.au) or visit [www.invacare.com.au](http://www.invacare.com.au)

All rights reserved. All information quoted is believed to be correct at time of publication. Invacare reserves the right to alter product specifications without prior consent. 04/2024



**Yes, you can.®**