

Elan Headrests



The Invacare Matrix Elan Headrest range takes head support to the next level. A new elegance in head support and comfort, the Elan Headrest range is compact, lightweight and highly adjustable.



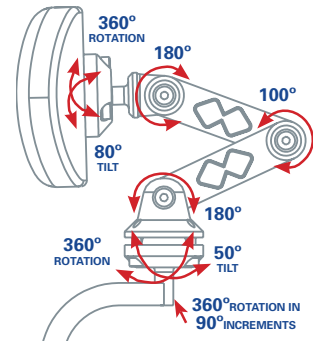
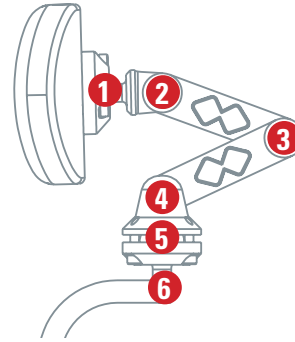
Yes, you can.®

Making Life's
Experiences Possible

Elan Headrest



- **Elegant** – Clean, compact, streamlined aesthetics.
- **Adjustable** – Elan headrest hardware has six points of adjustment – infinite positioning opportunities to meet user needs.
- **Easy** – Single tool set up. Optional tool-less adjustment levers provided for ease of position changes.
- **Reliable** – Multi-disk locking provides superior holding strength.



Pad Features



- **Comfortable** – Dual density foam provides immersion and prevents bottoming out.
- **Durable** – Foam pad surrounds the backing plate and can be easily removed for modification. Pads are made with our Ultra-Fresh anti-microbial additive.
- **Lightweight** – 45% Lighter than competitive pads.
- **Versatile**
 - Standard, occipital and multi-adjustable 4-point versions available.
 - Aluminum plates can be formed to desired shape.
- **Covers**
 - Zippered, moisture-resistant, breathable Startex fabric
 - Infection Control covers available as an accessory.

Tech Specs

Model Description	Product	Dimensions Weight x Height	Limited Warranty
ESP6	6" Standard Pad	6" x 3.5"	2 Years
ESP10	10" Standard Pad	10" x 5"	2 Years
ESP14	14" Standard Pad	14" x 5"	2 Years
EOP9	9" Occipital Pad	9" x 7"	2 Years
EOP12	12" Occipital Pad	12" x 8"	2 Years
E4PTSM	4 Point Pad (Small)	9" x 7"	2 Years
E4POINT	4 Point Pad	11" x 10"	2 Years
MEHW	Elan Standard Hardware	N/A	2 Years
MAHU	Multi-axis hardware	N/A	2 Years

FOR FURTHER INFORMATION:

New Zealand: Freephone 0800 468 222, email sales@invacare.co.nz or visit www.invacare.co.nz
Australia: Freephone 1800 460 460, email orders@invacare.com.au or visit www.invacare.com.au

All rights reserved. All information quoted is believed to be correct at time of publication. Invacare reserves the right to alter product specifications without prior consent. 05/2024



Yes, you can.®