

Etude Plus & Etude Plus Low

COMFORT, EASY OF USE AND DURABILITY



The Etude Plus bed, with its attractive aesthetics, flexible design and easy handling is ideal for community care. All the hallmarks and proven features of the popular Etude, such as sturdiness, ease of handling and durability, are very much present in this new community bed.



Yes, you can.®

Making Life's Experiences Possible



Etude Plus & Etude Plus Low

- **Tool-less assembly** - Assembling can be done without the use of tools or technicians.
- **Optimisable mattress platform sections** - Enables a range of working heights for the carer and transfer heights for the client.
- **IPx6 electronics** - Easy-to-clean pendant reduces chance of infection and waterproof to eliminate short circuits.
- **Tilt function** - Enables patients to be positioned in a fully seated position.
- **Etude Plus Low** - Sleep patients close to the floor to lower the risk of falls accidents.

Features



Built-in low Version with Double Brackets



Hand Control
Slim, ergonomic hand control. Choose with or without lockable functions (lockable handset available as an option).

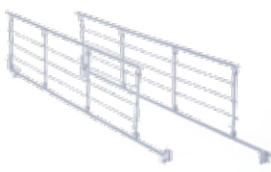


Tool-less assembly



Easy to store and to transport when placed on the transport kit

Accessories



Invacare Scala Basic 2 Side Rails



Britt V Side Rails



Lifting pole

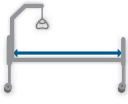

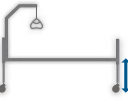




Support handle



Extension Kit
(Currently NZ Kits only)

Tech Specs

	 Length	 Width	 Adjustable Height	 Max User weight	 Bed weight
Etude Plus	2190mm	1020mm	330 - 730mm or 400 - 800mm	165kg	77kg
Etude Plus Low	2190mm	1020mm	200 - 600mm or 270 - 670mm	165kg	77kg
Mattress*	1970mm	880mm			

FOR FURTHER INFORMATION:

New Zealand: Freephone 0800 468 222, email sales@invacare.co.nz or visit www.invacare.co.nz

Australia: Freephone 1800 460 460, email orders@invacare.com.au or visit www.invacare.com.au

All rights reserved. All information quoted is believed to be correct at time of publication. Invacare reserves the right to alter product specifications without prior consent. 07/2024



Yes, you can.®