

# Comet Alpine+

CHALLENGE THE OUTDOORS WITH POWER, CONTROL AND STABILITY



For those who enjoy adventures across terrains too challenging for a traditional scooter, the Comet® Alpine+ offers the perfect solution. Its robust and powerful driving characteristics gives you the freedom to discover the great outdoors with minimal effort in continuous comfort and safety.



Yes, you can.®

Making Life's Experiences Possible

# Comet Alpine+

As part of the Comet family, the Comet Alpine+ comes packed with all of its well-known safety features and customisation capabilities, offering a reliable, powerful and stylish scooter.

- Powerful and robust
- Excellent outdoor capabilities
- Safety at its core

The Comet Alpine+ offers excellent maneuverability and power without compromising safety and style. Thanks to its powerful motors and superior suspension system, the Comet Alpine+ lets you challenge the great outdoors with minimal effort and complete control.

Vital components are protected from water and dirt thanks to the in-built anti splash guards. Directional stability keeps you moving in a straight line and automatic speed reduction to slow you down when driving round corners.



## Features



LCD dashboard for clear, easy to read information.



Seat suspension module offers additional comfort by adding an optional seat suspension.





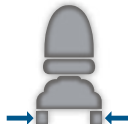













Seat riser electronically increase the seat height to achieve a preferred driving height.

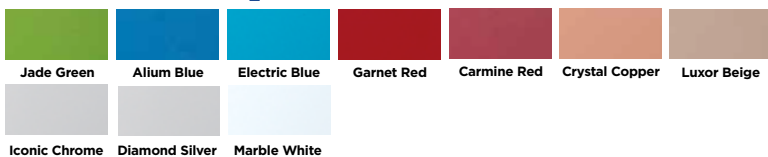


An optional off board charger allows you to conveniently charge the batteries away from the scooter.

## Tech Specs

 <b>Backrest width</b> 510 mm	 <b>Seat depth</b> 460 mm	 <b>Floor to seat height</b> Min. 440 mm Max. 510 mm	 <b>Backrest height</b> 630 mm	 <b>Driving unit width</b> 665 - 685 mm	 <b>Total length</b> 1450 mm	 <b>Empty weight</b> 143 kg	 <b>Max user weight</b> 160 kg
 <b>Battery capacity</b> 2 x 12 V/75 Ah	 <b>Turning diameter</b> 2750 mm	 <b>Max climbable obstacle height</b> 100 mm	 <b>Ground clearance</b> 100 mm	 <b>Max safe slope</b> 10°	 <b>Max driving distance</b> 58 km	 <b>Max driving speed</b> 10 km/h	 <b>Motor capacity</b> 650 W / 1800 W

## Colour Options



\* Warranty Terms and Conditions apply. Contact Invacare for full details.

FOR FURTHER INFORMATION:

**New Zealand:** Freephone 0800 468 222, email [sales@invacare.co.nz](mailto:sales@invacare.co.nz) or visit [www.invacare.co.nz](http://www.invacare.co.nz)

**Australia:** Freephone 1800 460 460, email [orders@invacare.com.au](mailto:orders@invacare.com.au) or visit [www.invacare.com.au](http://www.invacare.com.au)

All rights reserved. All information quoted is believed to be correct at time of publication. Invacare reserves the right to alter product specifications without prior consent. 03/2025



**Yes, you can.®**