

Spare Parts Catalogue

Version: 2018/03/30b EN



Invacare® **Action**®³ **Junior**®



Yes, you can.®

General Information

For any order of spare parts the following information is required:

- Product type*
- Product name & model*
- Serial Number*
- Part-Number*
- Part-Description*

Exploded view drawings and code numbers are not contractual and subject to modification, in relation to Invacare® continuous product improvement policy to meet end users needs.

The reproduction or use of this work, or of any substantial part of this work, in any form or by any electronic, mechanical or other means, including photocopying, scanning and recording, and in any information storage and retrieval system, including electronic transmission, is forbidden without the prior written permission of Invacare® International Sarl.



Yes, you can.®

TABLE OF CONTENTS

Information

Abbreviations	7
---------------------	---

Chassis

Chassis	8
Side Frames SW 205 to 280 mm	9
Side Frames SW 305 to 380 mm	11
Front stabilizer kit	13
Folding System Fixed	14
Adjustable Folding System	15

Seat

Seat	16
Seat Upholstery	17
Padded Seats Upholstery	18
Depth Adjustable Seat Upholstery	19
Multi Adjustable Seat Upholstery	20

Backrest

Backrest	21
Fixed Backrest	22
Fixed Backrest, Height Adjustable, Push Handle	23
Recliner Backrest 0° To 30°, Ratchet	24
Recliner Backrest 0° To 30°, Gaz Spring	25
Fold down backrest steel/aluminum	26
Fold down backrest steel adjustable push handle	27
Fold down backrest, height adjustable push handle	28
Adjustable Backrest Upholstery	29
Tension adjustable backrest upholstery	30
Backrest upholstery PMH	31
Backrest extension	32

Legrests

Legrests	33
Front Hanger 80° & 90°	34
Elevating Legrest with angle adjustable footrest	36
Elevating Legrest with angle and depth adjustable footrest	37

Footrests

Footrests	38
Standard Footplate	39
Adjustable Footplate For 80° Hanger	40
Adjustable Footplate For 90° Hanger	42
One piece footboard	44

Siderests

Siderests	45
Height Adjustable Armrest N°1	46



Yes, you can.®

TABLE OF CONTENTS

Height Adjustable Armrest N°1 Junior	47
Height Adjustable Skirtguard Junior	48
Mudguard Xtra	49

Front Wheels

Front Wheels	50
Forks	51
Forks supports adjustable	52
Front wheels	53

Rear Wheels

Rear Wheels	54
22" Standard Wheels 2007-03=>	55
22" Standard Wheels =>2007-03	56
22" Hub brake wheels 2007-03=>	57
22" Hub brake wheels =>2007-03	58
22" Standard Wheels accessories	59
20" Standard Wheels	60
20" Standard Wheels accessories	61
Quick release axle dia 12 Action	62
Spoke Guard Color	63
Spoke Guard	64
Rear Wheel Supports => 2017.09.17	65
12" Rear Wheels	66
Pump	67

Brakes

Brakes	68
Push Brakes Black: Standard And With Extension	69
Push brake Black Transit Amputé	70
Pull brakes : Standard And With Extension	71
Attendant Hub Brake	72

Safety Options

Safety Options	73
Transportation attachment kit	74
Belts	75
Buckled belt junior UK	76
Pediatric belts	77
Transfer Kit	78
Tipping Rear Anti Tipper	79
Reflectors	80

Seating Options

Seating Options	81
Essential Junior Cushion	82
Backrest extension	32
Headrest	83
Cheek support	84
Calfs strap	85



Yes, you can.®

TABLE OF CONTENTS

Heels strap	86
Ankle grips	87
Push Bar =>2012-12-31	88
Stroller push handles	89
Back Brace	90

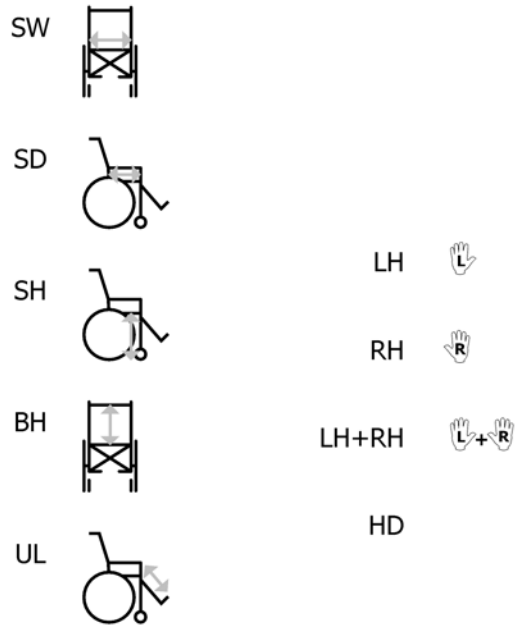
Propulsion Options

Propulsion Options	91
Transit rear wheel support Manual brake	92
Support transit amputee	93
Transit rear wheel support Hub brake	94
Dual Amputee Black Position	95

Others Options & Accessories

Others Options & Accessories	96
Tipping tube	97
Junior Transparent Trays	98
Kit Tools	99

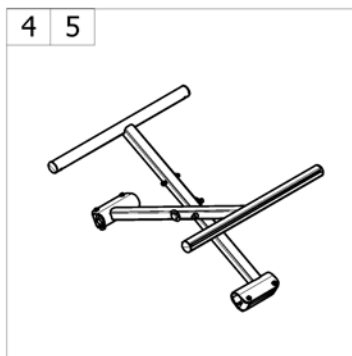
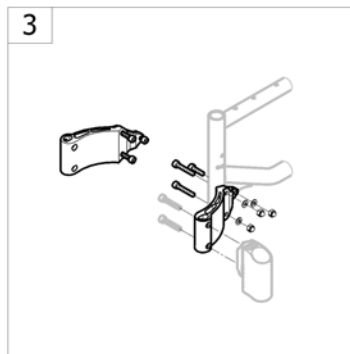
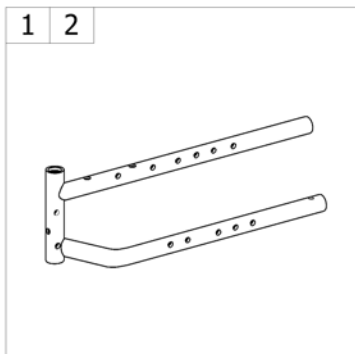
Abbreviations



15P5133721

Pos.	Part number	Description	Valid from → until	Qty
-	SW	Seat width (2 digits in cm) (3 digits in mm)		1
-	SD	Seat depth (2 digits in cm) (3 digits in mm)		1
-	SH	Seat height (2 digits in cm) (3 digits in mm)		1
-	BH	Backrest height (2 digits in cm) (3 digits in mm)		1
-	UL	Knee-to-heel height (2 digits in cm) (3 digits in mm)		1
-	LH	Left side (sitting in the wheelchair)		1
-	RH	Right side (sitting in the wheelchair)		1
-	LH+RH	An assembly of a left and a right part, referred to as "pair"		1
-	HD	Heavy duty version		1

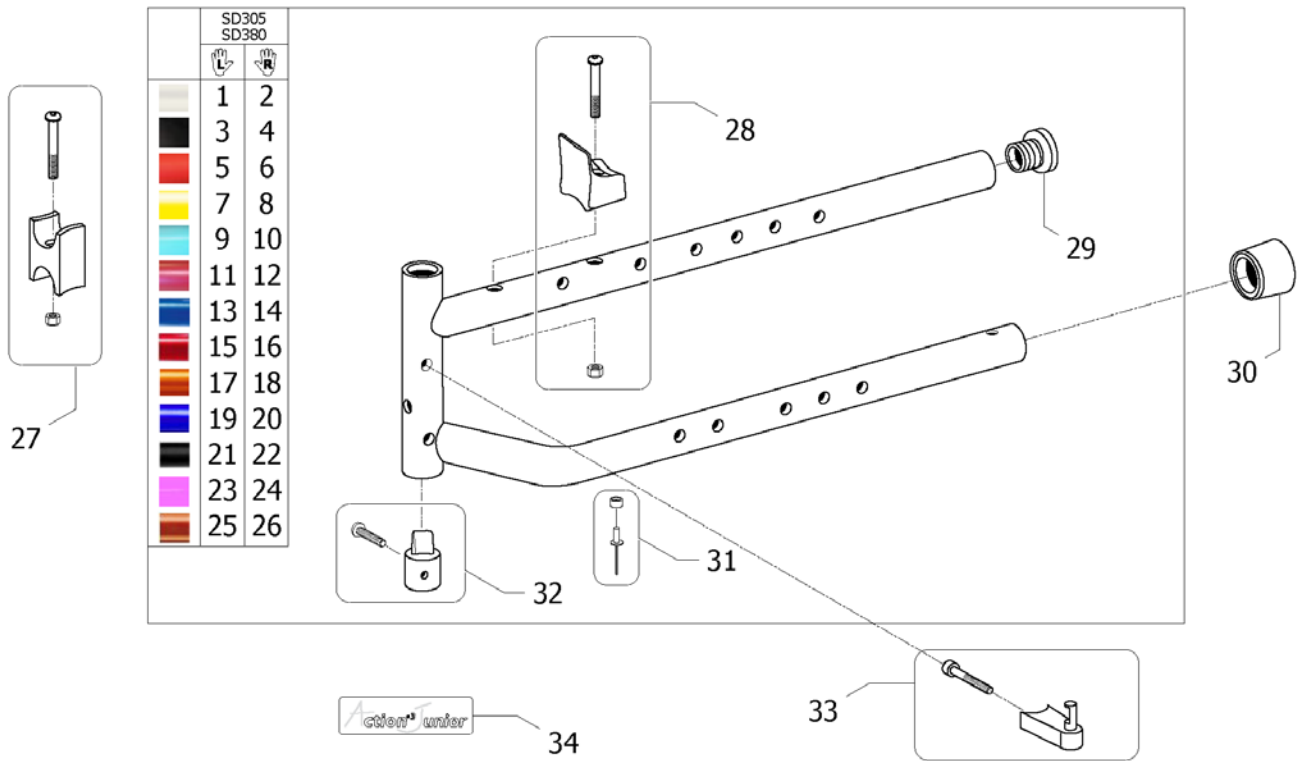
Chassis



-<SPCACTION310

Pos.	Part number	Description	Valid from → until	Qty
1	-	Side Frames SW 205 to 280 mm		1
2	-	Side Frames SW 305 to 380 mm		1
3	-	Front stabilizer kit		1
4	-	Folding System Fixed		1
5	-	Adjustable Folding System		1

Side Frames SW 205 to 280 mm



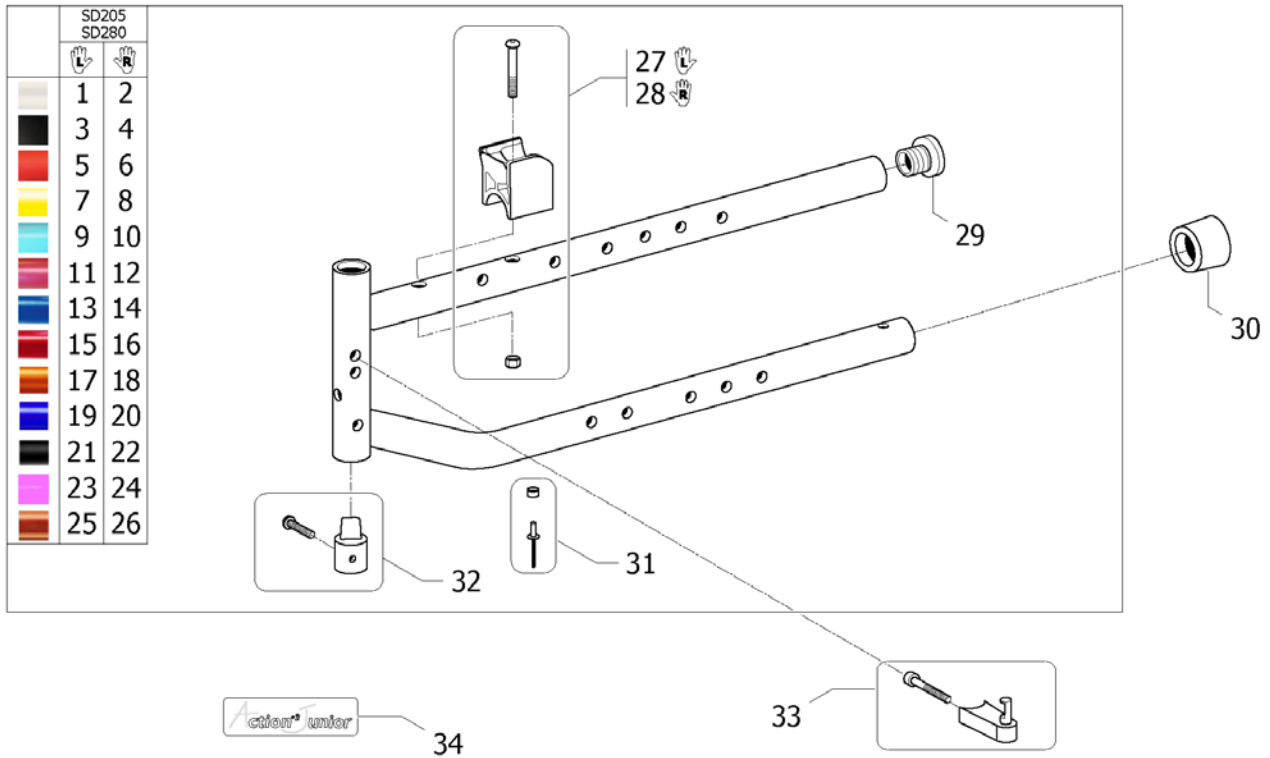
ISPS1513660

Pos.	Part number	Description	Valid from → until	Qty
1	SP1511921-0637	A3Junior side frame Lh SW205/280 mm Pearl White	2017-01-01 →	1
2	SP1511920-0637	A3Junior side frame Rh SW205/280 mm Pearl White	2017-01-01 →	1
3	SP1511921-0646	A3Junior side frame Lh SW205/280 mm Matt Black	2017-01-01 →	1
4	SP1511920-0646	A3Junior side frame Rh SW205/280 mm Matt Black	2017-01-01 →	1
5	SP1511921-0456	A3Junior side frame Lh SW205/280 mm Matt Red	2017-01-01 →	1
6	SP1511920-0456	A3Junior side frame Rh SW205/280 mm Matt Red	2017-01-01 →	1
7	SP1511921-0647	A3Junior side frame Lh SW205/280 mm Intense Yellow	2017-01-01 →	1
8	SP1511920-0647	A3Junior side frame Rh SW205/280 mm Intense Yellow	2017-01-01 →	1
9	SP1511921-0651	A3Junior side frame Lh SW205/280 mm Polar Blue	2017-01-01 →	1
10	SP1511920-0651	A3Junior side frame Rh SW205/280 mm Polar Blue	2017-01-01 →	1
11	SP1511921-0652	A3Junior side frame Lh SW205/280 mm Candy Pink	2017-01-01 →	1
12	SP1511920-0652	A3Junior side frame Rh SW205/280 mm Candy Pink	2017-01-01 →	1
13	SP1511921-0643	A3Junior side frame Lh SW205/280 mm Pop Blue	2018-04-01 →	1
14	SP1511920-0643	A3Junior side frame Rh SW205/280 mm Pop Blue	2018-04-01 →	1
15	1511921-0607	A3Junior side frame Lh SW205/280 mm Dark Red	→ 2017-04-30	1
16	1511920-0607	A3Junior side frame Rh SW205/280 mm Dark Red	→ 2017-04-30	1
17	SP1511921-0648	A3Junior side frame Lh SW205/280 mm Vibrating Orange	2016-01-01 → 2017-04-30	1
18	SP1511920-0648	A3Junior side frame Rh SW205/280 mm Vibrating Orange	2016-01-01 → 2017-04-30	1
19	1511921-0608	A3Junior side frame Lh SW205/280 mm Sapphire Blue	→ 2017-12-31	1
20	1511920-0608	A3Junior side frame Rh SW205/280 mm Sapphire Blue	→ 2017-12-31	1
21	1511921-0609	A3Junior side frame Lh SW205/280 mm Anthracite	→ 2017-04-30	1
22	1511920-0609	A3Junior side frame Rh SW205/280 mm Anthracite	→ 2017-04-30	1
23	1511921-0614	A3Junior side frame Lh SW205/280 mm Bubble Gum Pink	→ 2017-04-30	1
24	1511920-0614	A3Junior side frame Rh SW205/280 mm Bubble Gum Pink	→ 2017-04-30	1
25	1511921-0613	A3Junior side frame Lh SW205/280 mm Tangerine Orange	→ 2015-12-31	1
26	1511920-0613	A3Junior side frame Rh SW205/280 mm Tangerine Orange	→ 2015-12-31	1
27	0572-06097	Kit crossbar support in H for crossbar adjustable SW205/280 SD300/350 (4 extensions)		1
28	0572-06061	Crossbar support kit 99		1

Side Frames SW 205 to 280 mm

Pos.	Part number	Description	Valid from → until	Qty
29	1545553	End tube Ø22 reflector red <i>Replace 1418112</i>		1
30	0021N05386	Frame cap black 1		1
31	1431304	Cross brace rivet & washer kit		1
32	1497559	Legrest indexer + fixation Junior		1
33	0572-06910	Locking hanger device		1
34	1548977	Product name sticker Action3Junior		1

Side Frames SW 305 to 380 mm



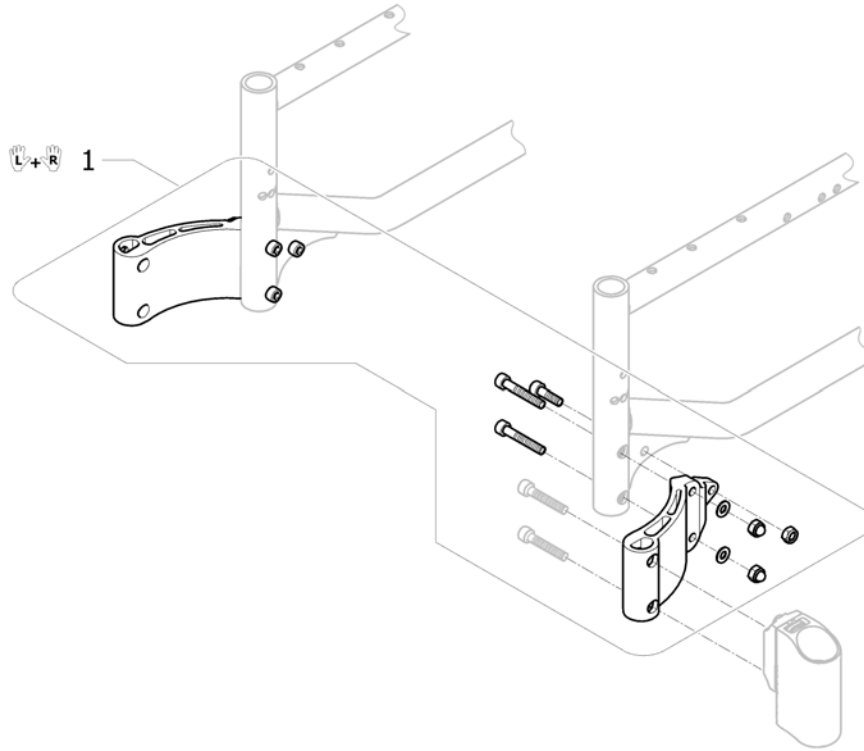
ISPS:1497299

Pos.	Part number	Description	Valid from → until	Qty
1	SP1489012-0637	A3Junior side frame Lh SW305/380 mm Pearl White	2017-01-01 →	1
2	SP1489011-0637	A3Junior side frame Rh SW305/380 mm Pearl White	2017-01-01 →	1
3	SP1489012-0646	A3Junior side frame Lh SW305/380 mm Matt Black	2017-01-01 →	1
4	SP1489011-0646	A3Junior side frame Rh SW305/380 mm Matt Black	2017-01-01 →	1
5	SP1489012-0456	A3Junior side frame Lh SW305/380 mm Matt Red	2017-01-01 →	1
6	SP1489011-0456	A3Junior side frame Rh SW305/380 mm Matt Red	2017-01-01 →	1
7	SP1489012-0647	A3Junior side frame Lh SW305/380 mm Yellow Intense	2017-01-01 →	1
8	SP1489011-0647	A3Junior side frame Rh SW305/380 mm Yellow Intense	2017-01-01 →	1
9	SP1489012-0651	A3Junior side frame Lh SW305/380 mm Polar Blue	2017-01-01 →	1
10	SP1489011-0651	A3Junior side frame Rh SW305/380 mm Polar Blue	2017-01-01 →	1
11	SP1489012-0652	A3Junior side frame Lh SW305/380 mm Candy Pink	2017-01-01 →	1
12	SP1489011-0652	A3Junior side frame Rh SW305/380 mm Candy Pink	2017-01-01 →	1
13	SP1489012-0643	A3Junior side frame Lh SW305/380 mm Pop Blue	2018-04-01 →	1
14	SP1489011-0643	A3Junior side frame Rh SW305/380 mm Pop Blue	2018-04-01 →	1
15	1489012-0607	A3Junior side frame Lh SW305/380 mm Dark Red	→ 2017-04-30	1
16	1489011-0607	A3Junior side frame Rh SW305/380 mm Dark Red	→ 2017-04-30	1
17	SP1489012-0648	A3Junior side frame Lh SW305/380 mm Vibrating Orange	2016-01-01 → 2017-04-30	1
18	SP1489011-0648	A3Junior side frame Rh SW305/380 mm Vibrating Orange	2016-01-01 → 2017-04-30	1
19	1489012-0608	A3Junior side frame Lh SW305/380 mm Sapphire Blue	→ 2017-12-31	1
20	1489011-0608	A3Junior side frame Rh SW305/380 mm Sapphire Blue	→ 2017-12-31	1
21	1489012-0609	A3Junior side frame Lh SW305/380 mm Anthracite	→ 2017-04-30	1
22	1489011-0609	A3Junior side frame Rh SW305/380 mm Anthracite	→ 2017-04-30	1
23	1489012-0614	A3Junior side frame Lh SW305/380 mm Bubble Gum Pink	→ 2017-04-30	1
24	1489011-0614	A3Junior side frame Rh SW305/380 mm Bubble Gum Pink	→ 2017-04-30	1
25	1489012-0613	A3Junior side frame Lh SW305/380 mm Tangerine Orange	→ 2015-12-31	1
26	1489011-0613	A3Junior side frame Rh SW305/380 mm Tangerine Orange	→ 2015-12-31	1
27	1491102	Crossbar support kit clipable left Junior		1
28	1491101	Crossbar support kit clipable right Junior		1
29	1545553	End tube Ø22 reflector red <i>Replace 1418112</i>		1

Side Frames SW 305 to 380 mm

Pos.	Part number	Description	Valid from → until	Qty
30	0021N05386	Frame cap black 1		1
31	1431304	Cross brace rivet & washer kit		1
32	1497559	Legrest indexer + fixation Junior <i>Replace 1434609</i>	2006-10-01 →	1
33	0572-06910	Locking hanger device		1
34	1548977	Product name sticker Action3Junior		1

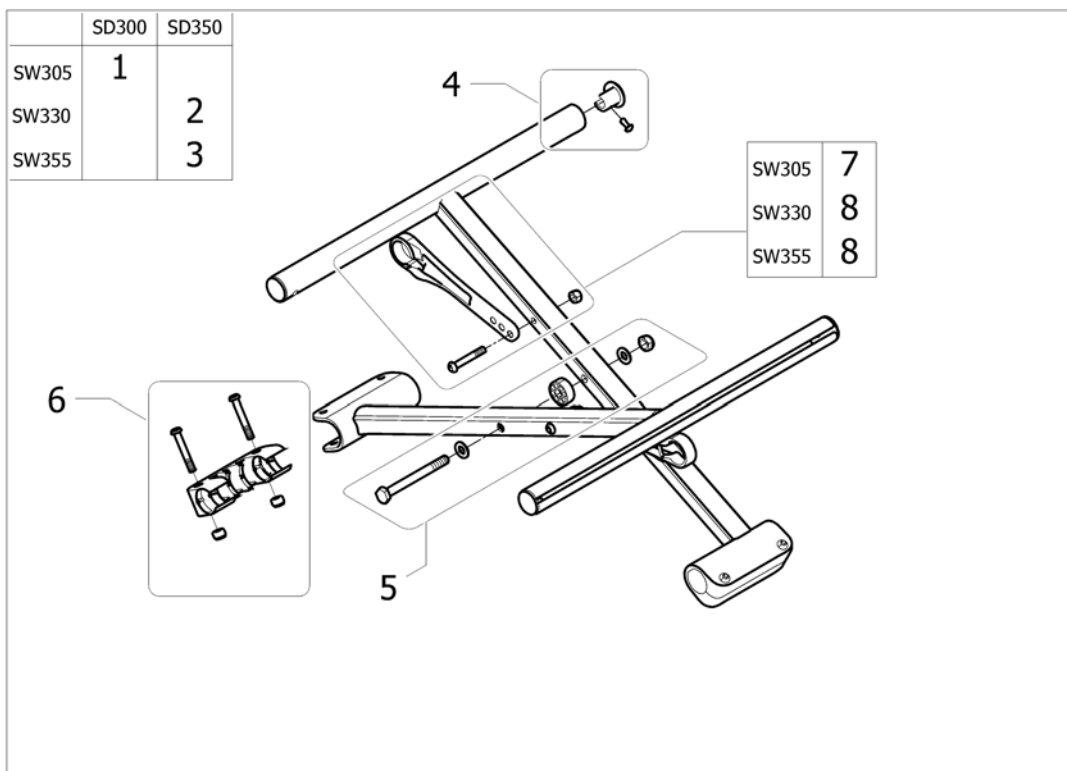
Front stabilizer kit



ISPS1535573 ~ 1531160

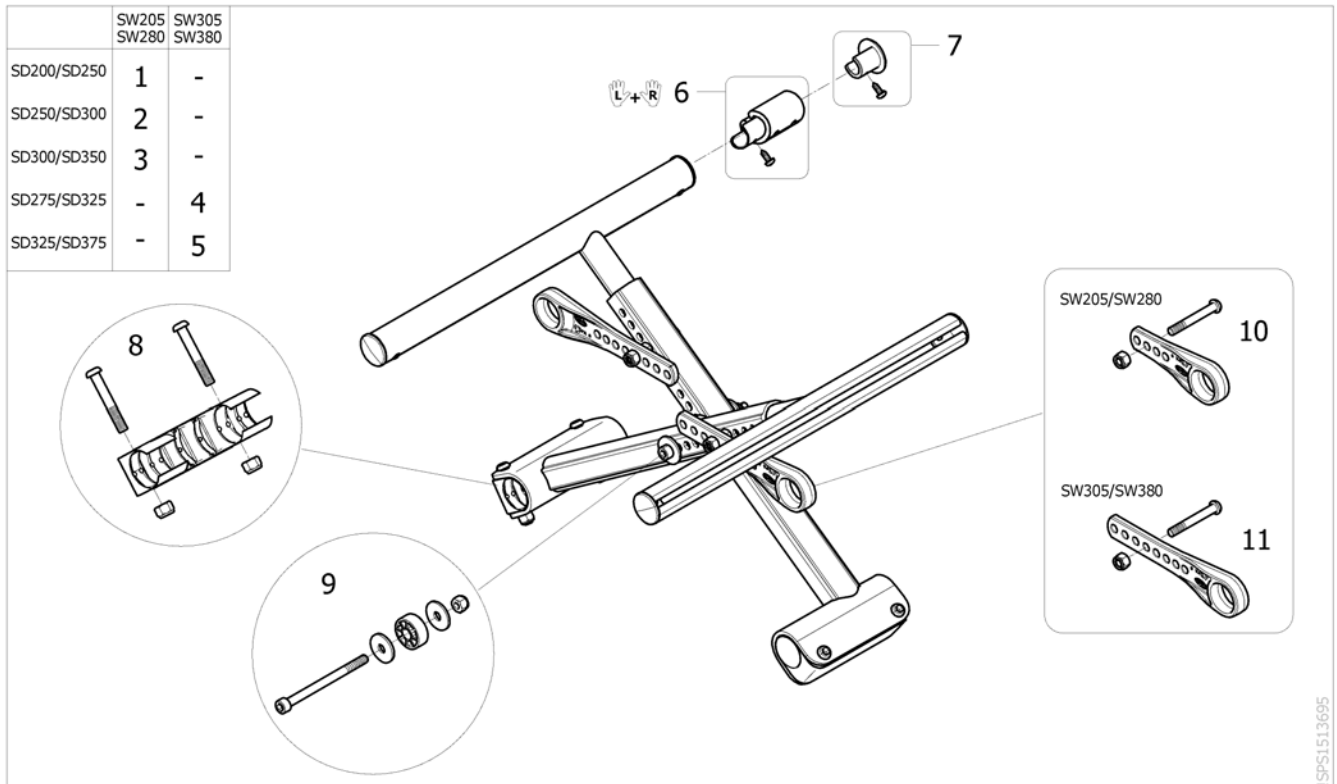
Pos.	Part number	Description	Valid from → until	Qty
1	1531160	Pair of front stabilizers kit	2009-10-27 →	1

Folding System Fixed



Pos.	Part number	Description	Valid from → until	Qty
1	1478460-0601	Cross Brace Complete (Pair) SW305 x SD300 mm		1
2	1478461-0601	Cross Brace Complete (Pair) SW330 x SD350 mm		1
3	1478462-0601	Cross Brace Complete (Pair) SW355 x SD350 mm		1
4	1431307	Seat end cap kit		1
5	1532556	Cross brace axle kit	2009-12-13 →	1
6	1431305	Crossbrace sleeve		1
7	1451295	Cross Brace Strut SW300 mm		1
8	1451296	Cross Brace Strut SW330/355 mm		1

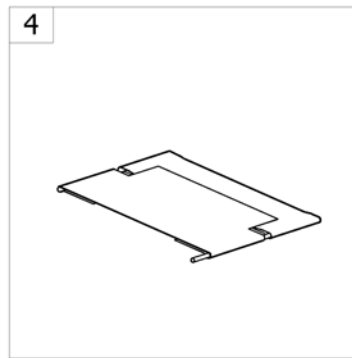
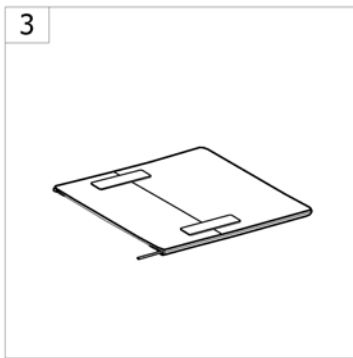
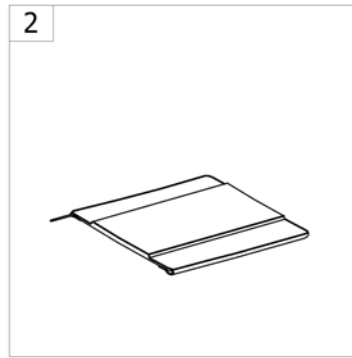
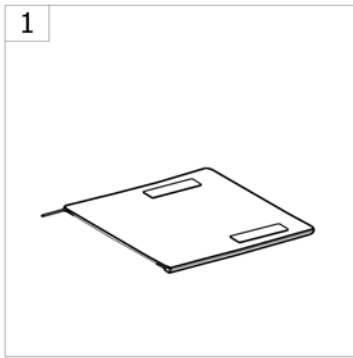
Invacare® Action 3 Junior | Chassis
Adjustable Folding System



ISPS1513695

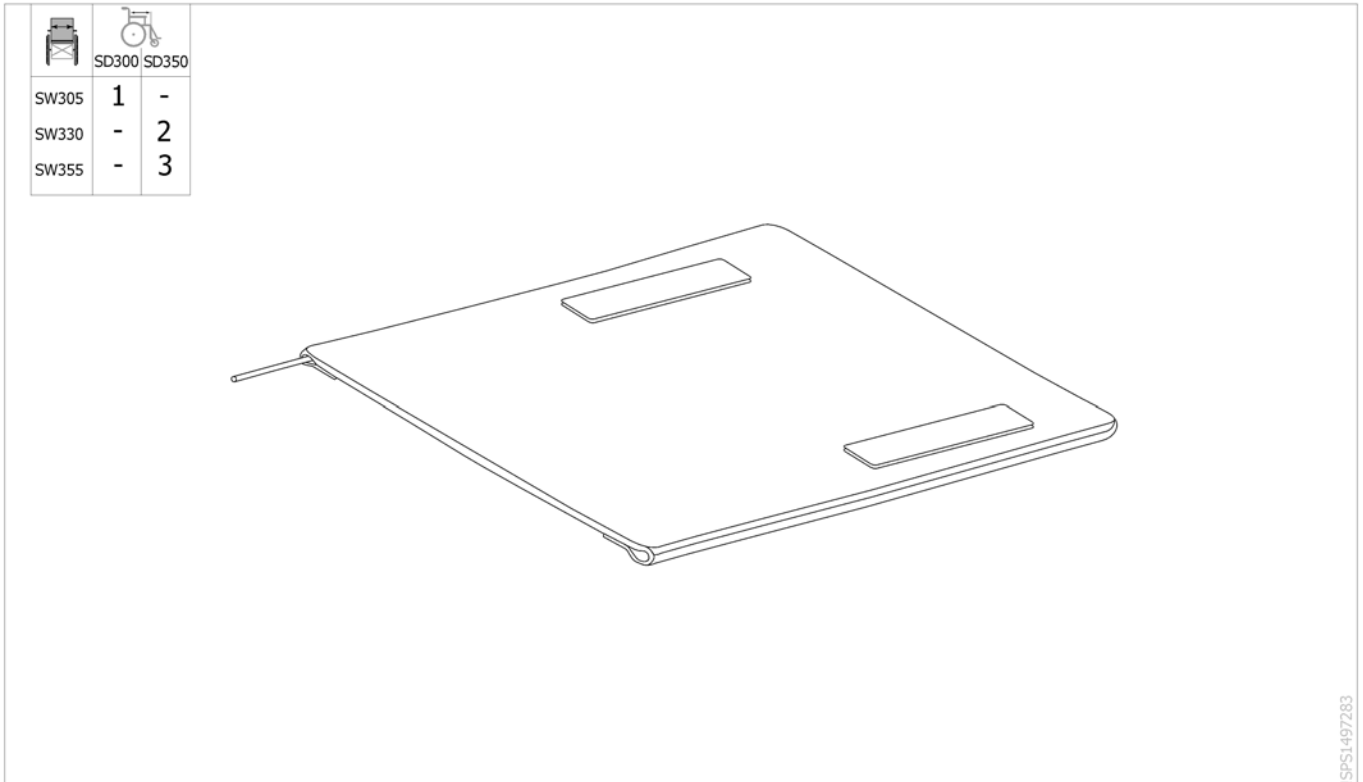
Pos.	Part number	Description	Valid from → until	Qty
1	1511958-0601	Crossbar adjustable (Pair) SW205=>280 x SD200/250 mm		1
2	1511959-0601	Crossbar adjustable (Pair) SW205=>280 x SD250/300 mm (2 extensions)		1
3	1513260-0601	Crossbar adjustable (Pair) SW205=>280 x SD300/350 mm (4 extensions)		1
4	1512008-0601	Crossbar adjustable (Pair) SW305=>380 x SD275/325 mm		1
5	1512009-0601	Crossbar adjustable (Pair) SW305=>380 x SD325/375 mm (2 extensions)		1
6	1510022	Kit crossbar extensions 5cm (x2)		1
7	1431307	Seat end cap kit		4
8	1431305	Crossbrace sleeve		2
9	1524302	Cross Brace adjustable Axle Kit > 03/11/08	2008-11-03 →	1
10	1513305	Cross Brace Strut SW205/280 mm		2
11	1513306	Cross Brace Strut SW305/380 mm	2008-11-03 →	2

Seat



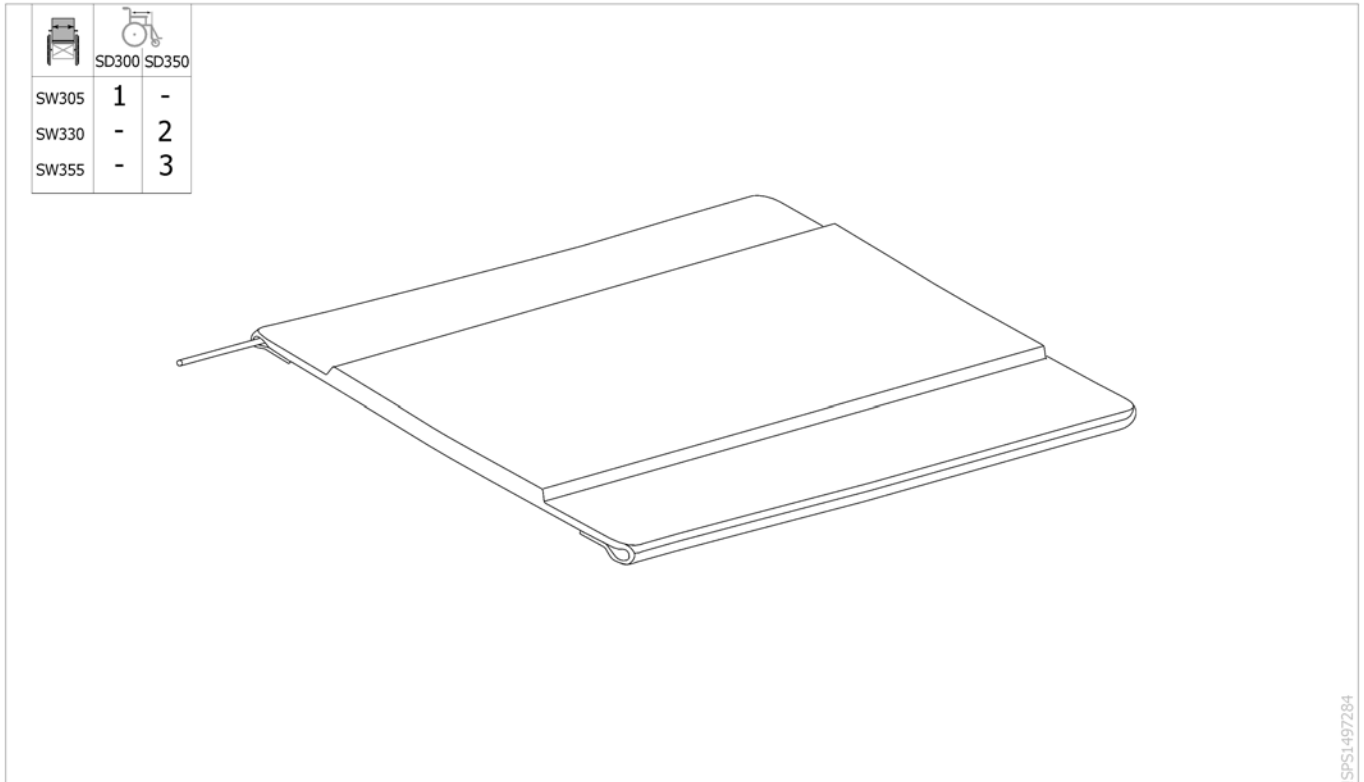
-<SPCACTION3J20

Pos.	Part number	Description	Valid from → until	Qty
1	-	Seat Upholstery		1
2	-	Padded Seats Upholstery		1
3	-	Depth Adjustable Seat Upholstery		1
4	-	Multi Adjustable Seat Upholstery		1



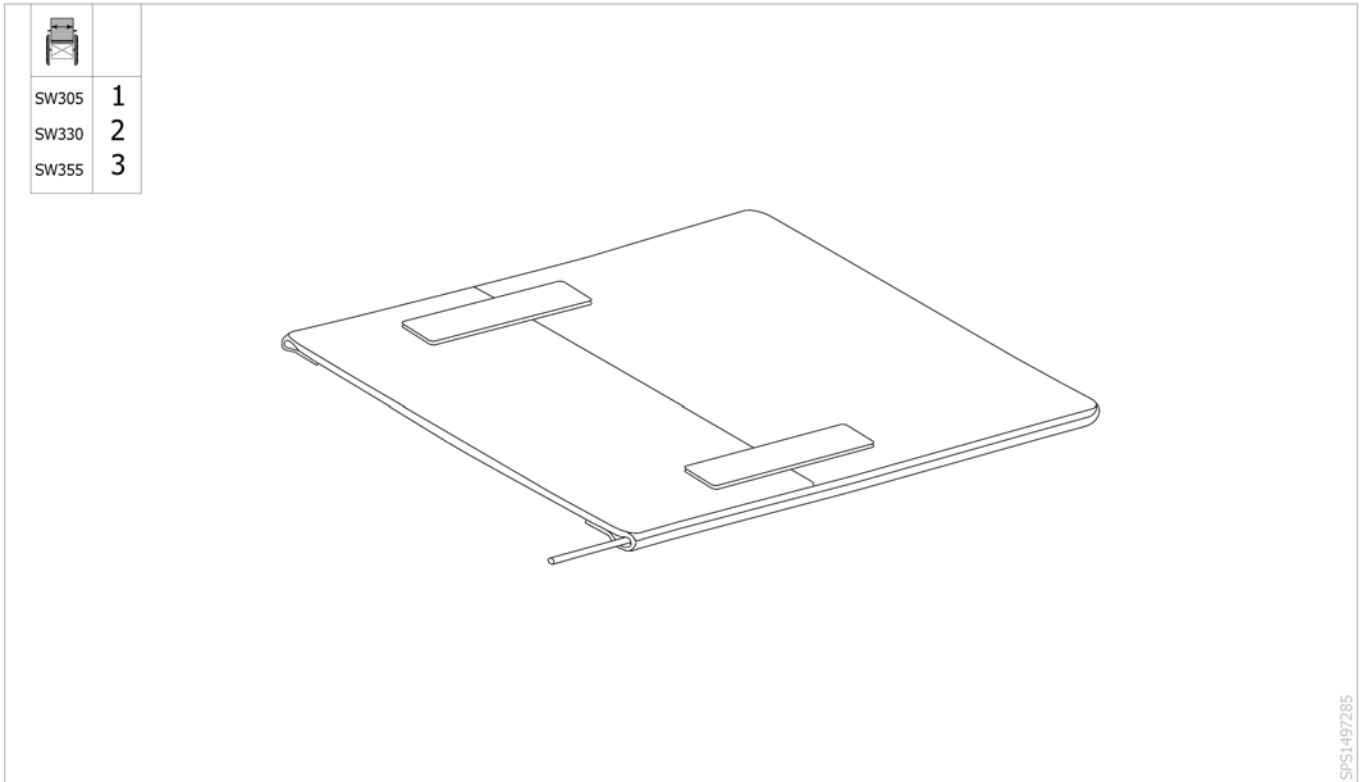
Pos.	Part number	Description	Valid from → until	Qty
1	1491073	Standard Seat Upholstery SW305 x SD300 mm		1
2	1491074	Standard Seat Upholstery SW330 x SD350 mm		1
3	1491075	Standard Seat Upholstery SW355 x SD350 mm		1

Padded Seats Upholstery



Pos.	Part number	Description	Valid from → until	Qty
1	1489049	Padded Seat Upholstery SW305 x SD300 mm		1
2	1489050	Padded Seat Upholstery SW330 x SD350 mm		1
3	1489051	Padded Seat Upholstery SW355 x SD350 mm		1

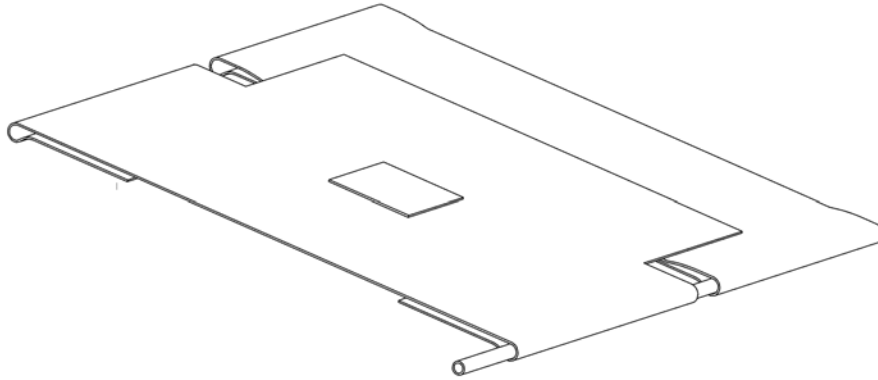
Depth Adjustable Seat Upholstery



Pos.	Part number	Description	Valid from → until	Qty
1	1489052	Adjustable Depth Seat Upholstery SW305 x SD250/300 mm		1
2	1489013	Adjustable Depth Seat Upholstery SW330 x SD300/350 mm		1
3	1489014	Adjustable Depth Seat Upholstery SW355 x SD300/350 mm		1

Multi Adjustable Seat Upholstery

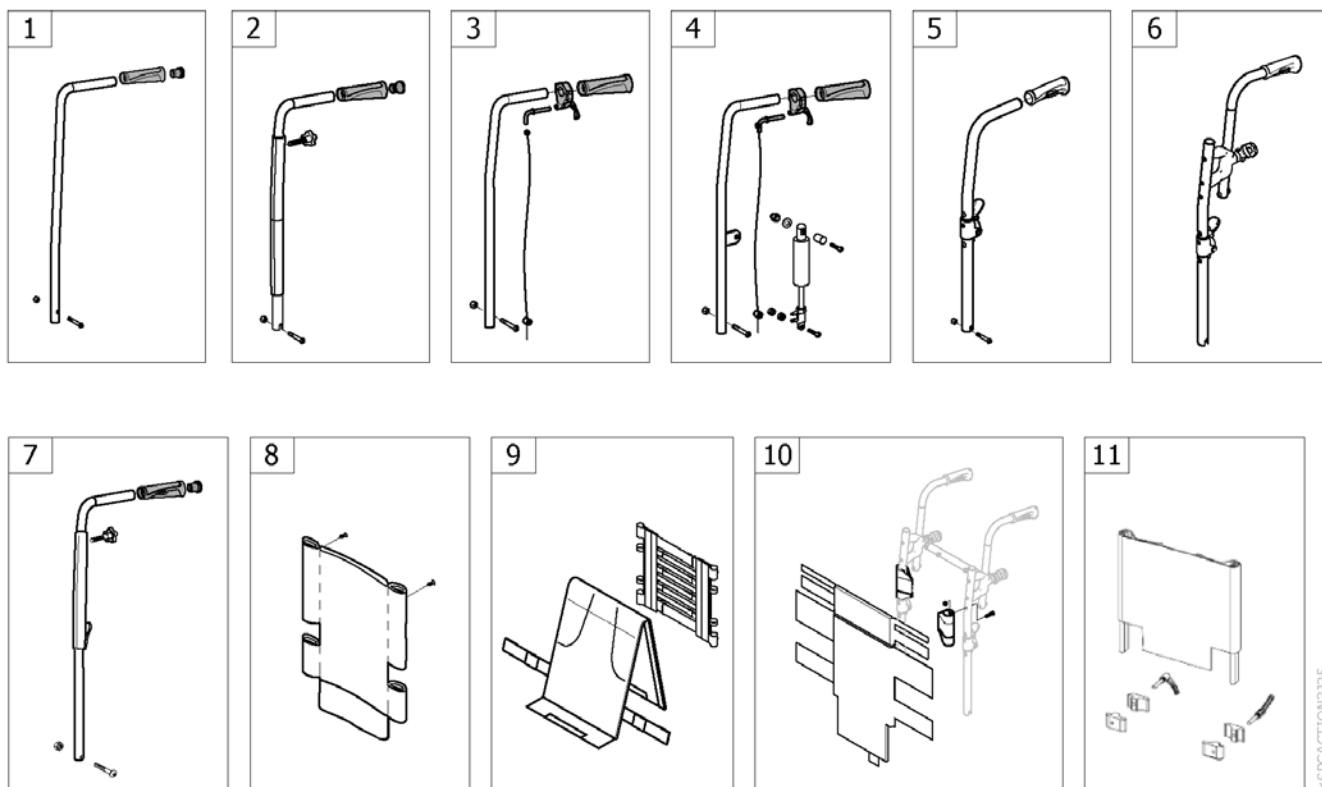
	SD200 v SD250	SD250 v SD300	SD300 v SD350	SD275 v SD325	SD325 v SD375
SW205/SW280	1	2	3	-	-
SW305/SW380	-	-	-	4	5



ISPS1513702

Pos.	Part number	Description	Valid from → until	Qty
1	1512012	Adjustable Seat Upholstery SW205/280 x SD200/250 mm		1
2	1512247	Adjustable Seat Upholstery SW205/280 x SD250/300 mm		1
3	1512250	Adjustable Seat Upholstery SW205/280 x SD300/350 mm		1
4	1512248	Adjustable Seat Upholstery SW305/380 x SD275/325 mm		1
5	1512249	Adjustable Seat Upholstery SW305/380 x SD325/375 mm		1

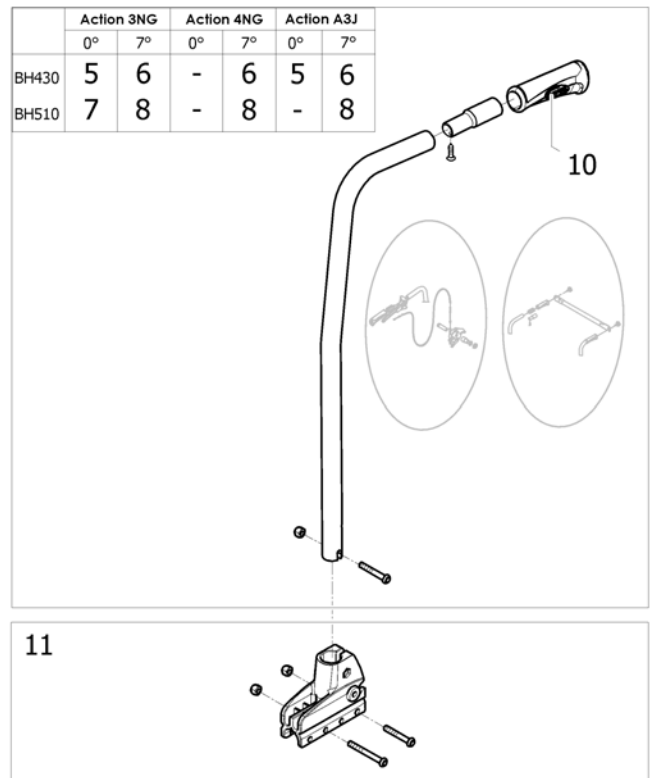
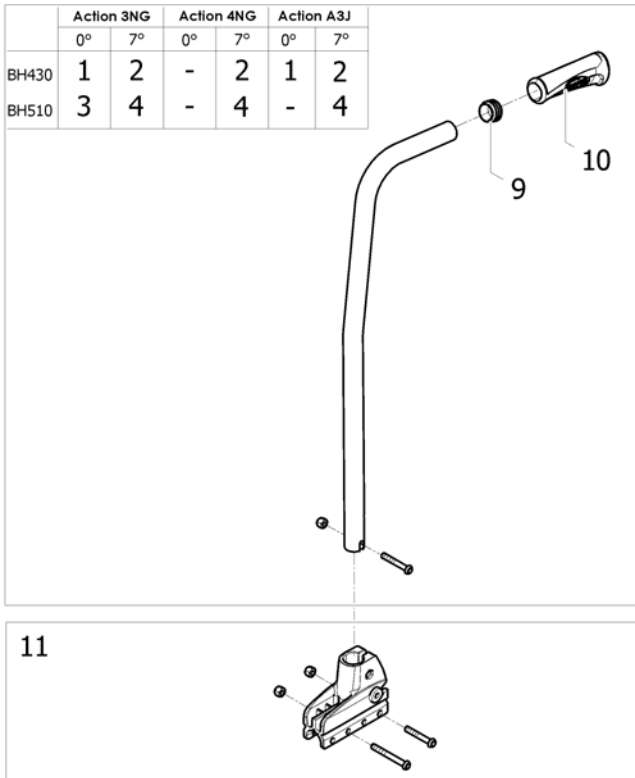
Backrest



-<SPCACTION325

Pos.	Part number	Description	Valid from → until	Qty
1	-	Fixed Backrest [CN_370/CN_380/CN_381]		1
2	-	Fixed Backrest, Height Adjustable, Push Handle [CN_0425]		1
3	-	Recliner Backrest 0° To 30°, Ratchet [CN_0390]		1
4	-	Recliner Backrest 0° To 30°, Gaz Spring [CN_0395]		1
5	-	Fold down backrest steel/alu [CN_0400/CN_0401]		1
6	-	Fold down backrest steel ajustable push handle [CN_0402]		1
7	-	Fold down backrest, height adjustable push handle [CN_0420]		1
8	-	Adjustable Backrest Upholstery [CN_0475]		1
9	-	Tension adjustable backrest upholstery [CN_0480]		1
10	-	Backrest upholstery PMH [CN_0402]		1
11	-	Backrest extension [CN_0855]		1

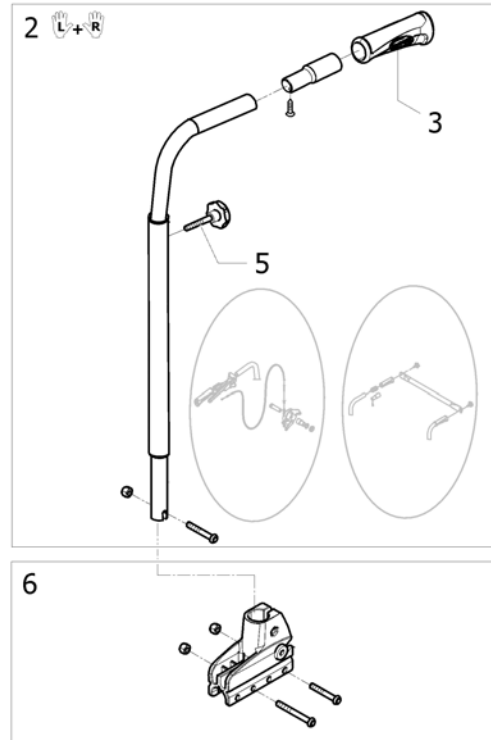
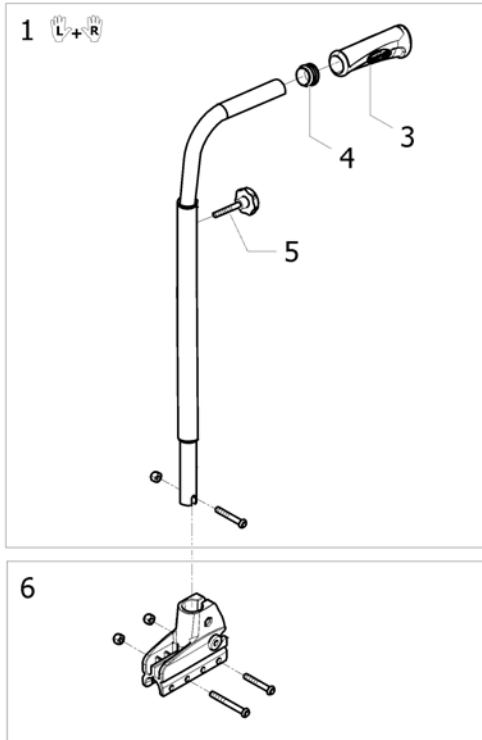
Fixed Backrest



ISPS1494156

Pos.	Part number	Description	Valid from → until	Qty
1	1430844	Backrest tube fixed 0°/430 mm (Unite) <i>[CE_0380][CN_0370]</i>		2
2	1430846	Backrest tube fixed 7°/430 mm (Unité) <i>[CE_0410][CK_0311][CN_0380]</i>		2
3	1430845	Backrest 0°/510 mm Cane Kit (Unité) <i>[CE_0390]</i>		2
4	1430847	Backrest tube fixed 7°/510 mm (Unité) <i>[CE_0420][CK_0312][CN_0381]</i>		2
5	SP1581636	Backrest tube fixed With insert 0°/430 mm (Unite)		2
6	SP1581637	Backrest tube fixed With insert 7°/430 mm (Unite)		2
7	SP1581638	Backrest tube fixed With insert 0°/510 mm (Unite)		2
8	SP1581639	Backrest tube fixed With insert 7°/510 mm (Unite)		2
9	1418112	Crossbrace back cap Ø22x15mm		2
10	1425473	Handle Invacare for backrest Ø22mm <i>Replace 1435421</i>		2
11	1430848	Fixed Backrest Support Kit		2

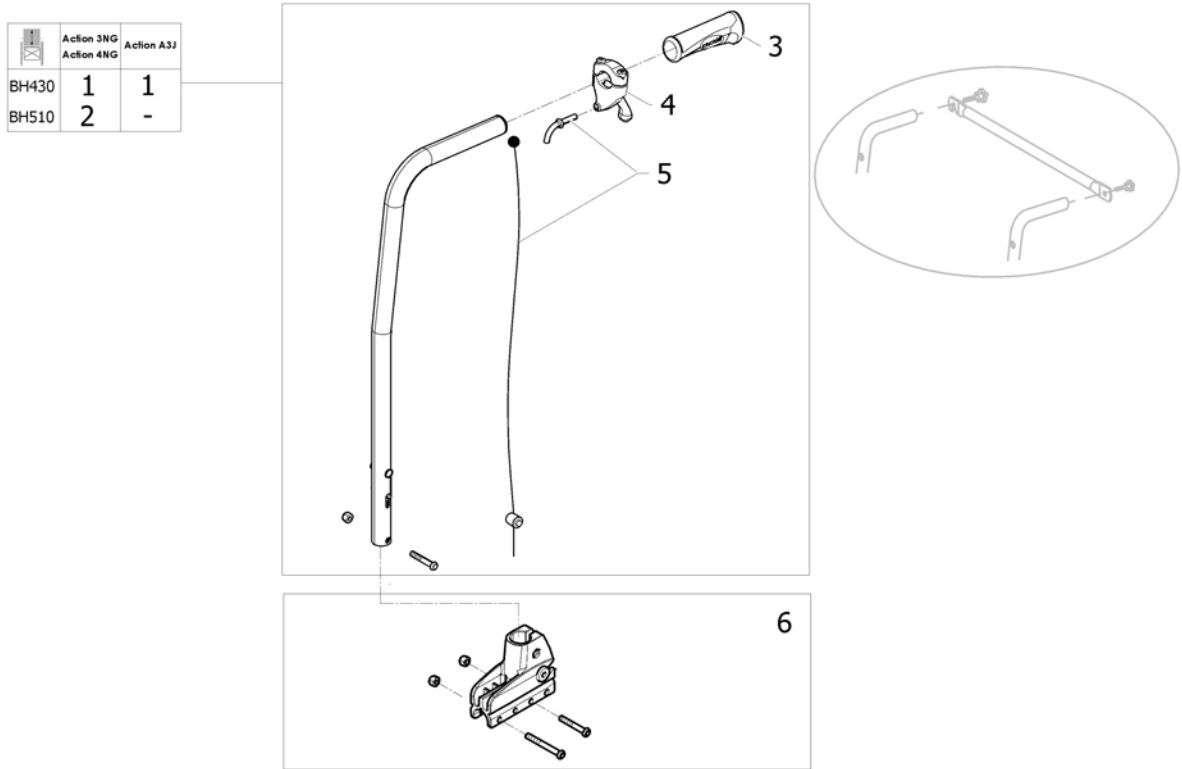
Fixed Backrest, Height Adjustable, Push Handle



ISPS1494157

Pos.	Part number	Description	Valid from → until	Qty
1	SP1586293	Backrest tube adjustable Push Handle BH430/580 mm (pair) <i>[CE_0425][CK_0314][CN_0425] - Replace 1428641-0601</i>		1
2	SP1586294	Backrest tube adjustable Push Handle With insert BH430/580 mm (Pair) <i>[CE_0425][CK_0314][CN_0425] if headrest/backbrace or hub brake - Replace SP1581640</i>		1
3	1425473	Handle Invacare for backrest Ø22mm <i>Replace 1435421</i>		2
4	1418112	Crossbrace back cap Ø22x15mm		2
5	0021-60029	Button Ø32 mm M6x16		2
6	1430848	Fixed Backrest Support Kit		2

Recliner Backrest 0° To 30°, Ratchet



ISPS1494169

Pos.	Part number	Description	Valid from → until	Qty
1	1434491	Reclining Backrest (Ratchet) 0°/30° BH430 mm (Unite) <i>[CE_0435][CK_0320][CN_0390]</i>		2
2	1430849	Reclining Backrest (Ratchet) 0/30° BH510 mm (Unité) <i>[CE_0440][CK_0330]</i>		2
3	1425473	Handle Invacare for backrest Ø22mm <i>Replace 1435421</i>		2
4	1433747	Recliner backrest trigger		2
5	1430851	Recliner backrest cable Kit		2
6	1430850	Recliner Backrest Support Kit		2

Recliner Backrest 0° To 30°, Gaz Spring

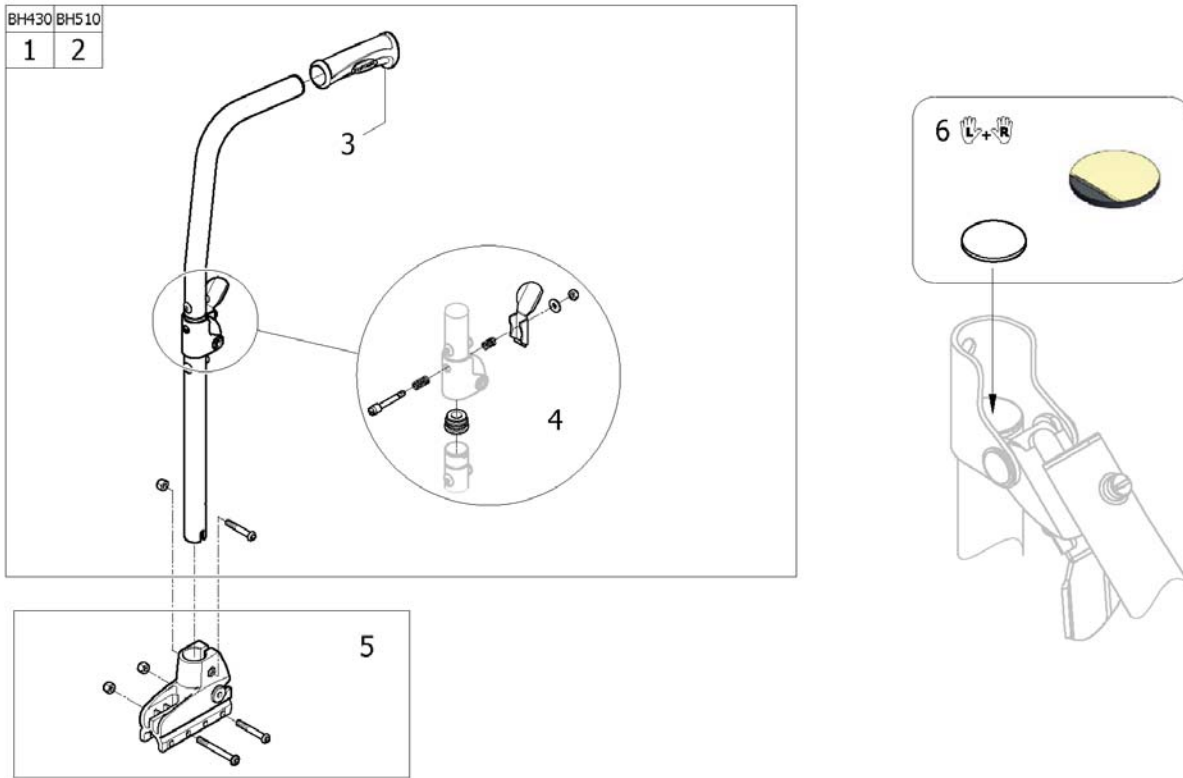
	BH430		BH430		BH510	
	Action 3NG Action 4NG		Action 3J		Action 3NG Action 4NG	
	L	R	L	R	L	R
SW205	-	-	1	2	-	-
SW230	-	-	1	2	-	-
SW255	-	-	1	2	-	-
SW280	-	-	1	2	-	-
SW305	-	-	1	2	-	-
SW330	-	-	1	2	-	-
SW355	-	-	1	2	-	-
SW380	1	2	1	2	5	6
SW405	1	2	-	-	5	6
SW430	1	2	-	-	5	6
SW455	1	2	-	-	5	6
SW480	1	2	-	-	5	6
SW505	1	2	-	-	5	6
SW555	3	4	-	-	-	-
SW605	3	4	-	-	-	-

* SW555-SW605

ISPS1538125

Pos.	Part number	Description	Valid from → until	Qty
1	1442539	LH Reclining Backrest (Gas Spring) 0/30° BH430 mm (Unité) [CE_0445][CK_0333][CN_0395]		1
2	1442538	RH Reclining Backrest (Gas Spring) BH430 mm (Unité) [CE_0445][CK_0333][CN_0395]		1
3	1493416	LH Reclining Backrest (Gas Spring) 0/30° BH430 mm HD [HD+CE_0445][HD+CK_0333]		1
4	1493415	RH Reclining Backrest (Gas Spring) 0/30° BH430 mm HD [HD+CE_0445][HD+CK_0333]		1
5	1442540	LH Reclining Backrest (Gas Spring) 0/30° BH510 mm [CE_0450][CK_0334]		1
6	1442534	RH Reclining Backrest (Gas Spring) 0/30° BH510 mm [CE_0450][CK_0334]		1
7	1425473	Handle Invacare for backrest Ø22mm Replace 1435421		2
8	1433747	Recliner backrest trigger		2
9	1440937	Recliner Gas Cable BH430 mm		2
10	1485871	Recliner Gas Cable BH510 mm		2
11	1484055-0699	Recliner Gas Tube BH430 mm		2
12	1484054-0699	Recliner Gas Tube BH510 mm		2
13	1532595	Gas Strut Kit Standard Backrest	2011-12-02 →	2
13	1528909	Gas Strut Kit Standard Backrest (pair)	2009-09-16 → 2011-12-01	1
14	1532596	Gas Strut Kit Standard Backrest Hd		2
15	1442513	Lh Recliner Gas Backrest Support Kit		2
16	1442507	Rh Recliner Gas Backrest Support Kit		2
17	1493418	Lh Recliner Gas Backrest Support Kit Hd		1
18	1493417	Rh Recliner Gas Backrest Support Kit Hd		1
19	1450992-0699	Head gas spring reinforcement		2

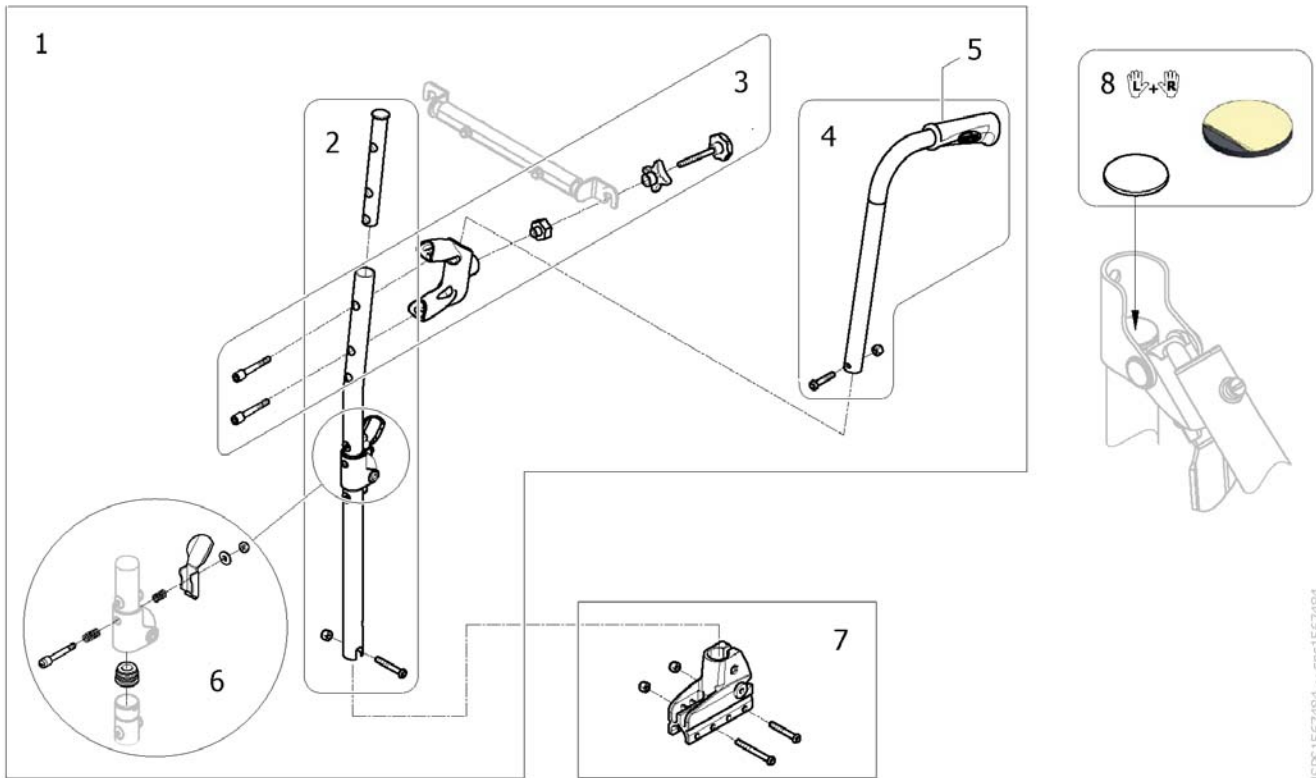
Fold down backrest steel/alu



ISPS:1553:182 ~ sps1549638_II

Pos.	Part number	Description	Valid from → until	Qty
1	1434492	Folding Backrest Steel/Alu BH430 mm (Unité) <i>[CE_0455][CK_0341][CN_0400][CZ_0455]</i>		2
2	1430852	Folding Backrest Steel/Alu BH510 mm (Unité) <i>[CE_0460][CK_0342][CN_0401]</i>		2
3	1425473	Handle Invacare for backrest Ø22mm		2
4	1551064	Locking system for folding backrest	2011-07-01 →	2
5	1430848	Fixed Backrest Support Kit		2
6	SP1646931	Rubber disque (Pair)		1

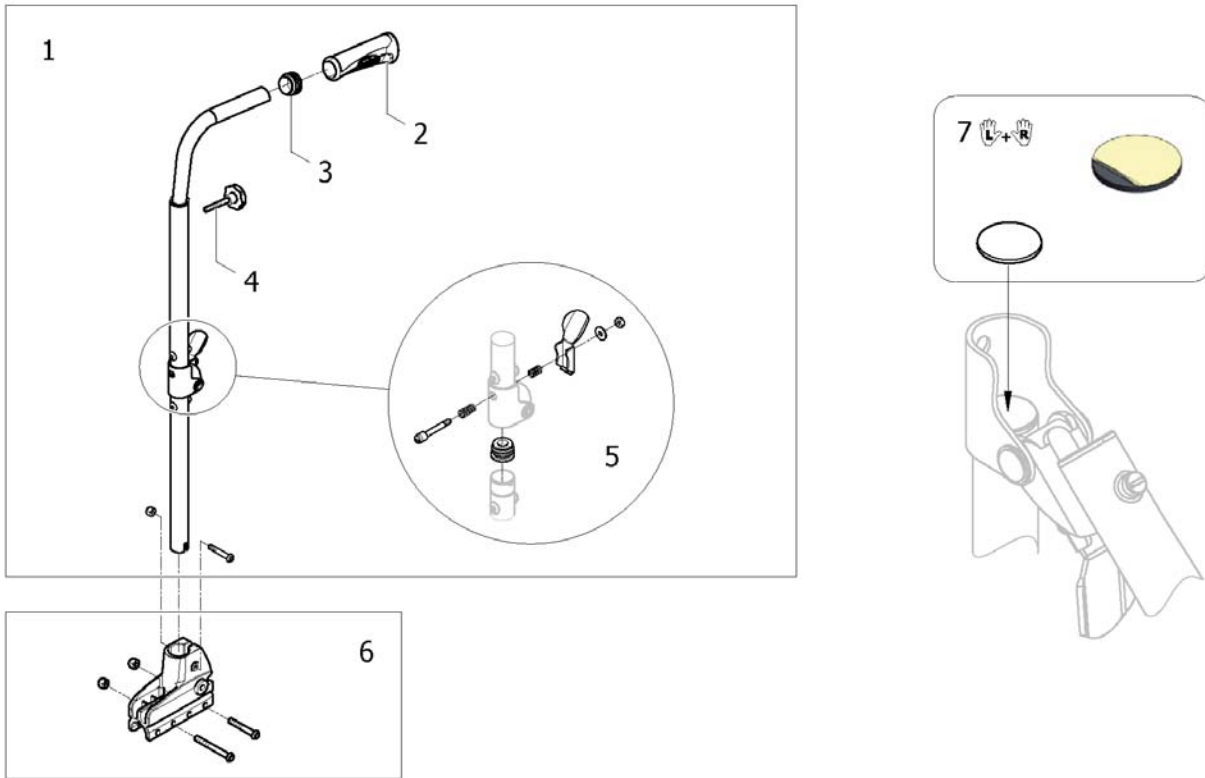
Fold down backrest steel ajustable push handle



ISPS1567484 ~ sps1567484

Pos.	Part number	Description	Valid from → until	Qty
1	1567930	Folding Backrest Steel adjustable push handle (Unité)		2
2	1567496	Kit folding backrest cane PMH steel		2
3	1567495	Kit fixed backrest for folding backrest PMH		2
4	1450574	Kit rearset pushhandle tube long		2
5	1435420	Handle Invacare for backrest Ø20mm		2
6	1551064	Locking system for folding backrest	2012-10-15 →	2
7	1430848	Fixed Backrest Support Kit		2
8	SP1646931	Rubber disque (Pair)		1

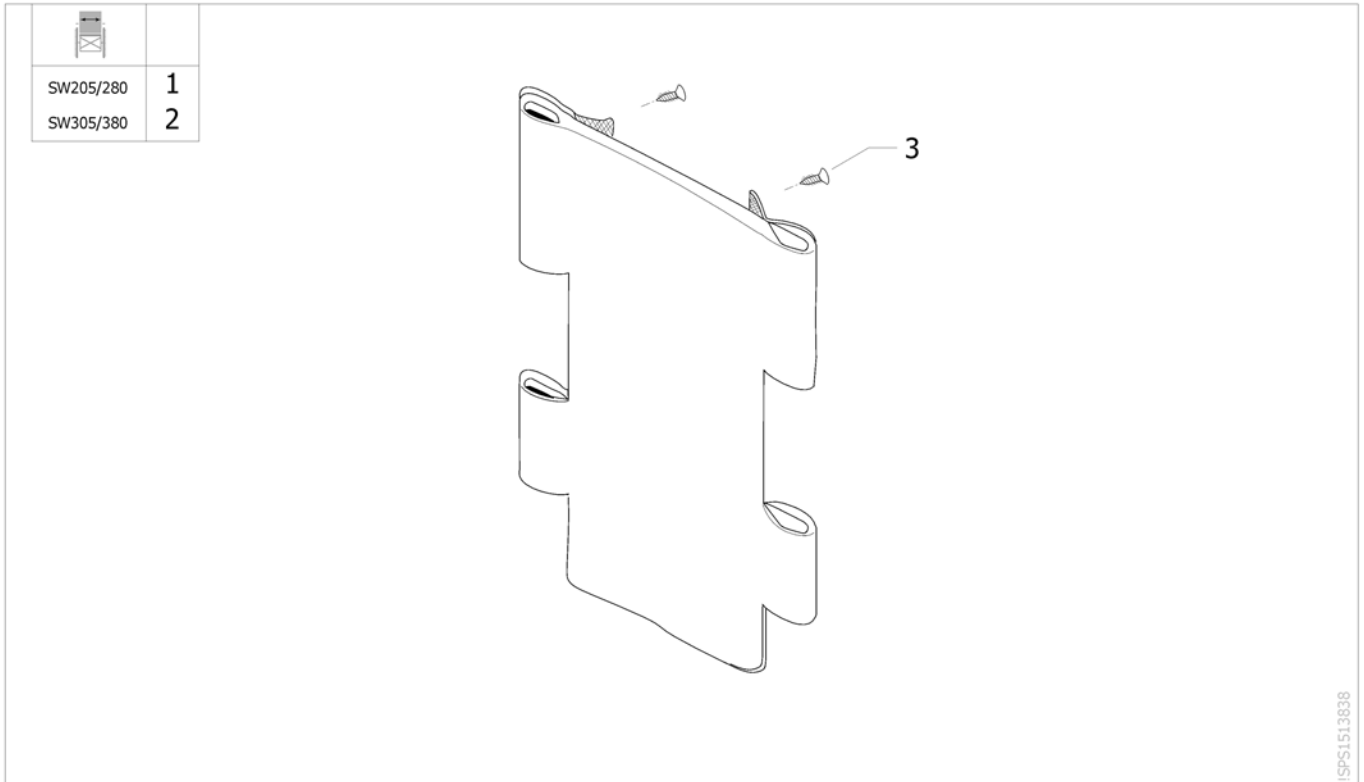
Fold down backrest, height adjustable push handle



ISPS:1497290

Pos.	Part number	Description	Valid from → until	Qty
1	1513345	Folding Backrest adjustable Push Handle BH430 mm (Unité) <i>[CN_0420]</i>		2
2	1425473	Handle Invacare for backrest Ø22mm <i>Replace 1435421</i>		2
3	1418112	Crossbrace back cap Ø22x15mm		2
4	0021-60029	Button Ø32 mm M6x16		2
5	1551064	Locking system for folding backrest		2
6	1430848	Fixed Backrest Support Kit		2
7	SP1646931	Rubber disque (Pair)		1

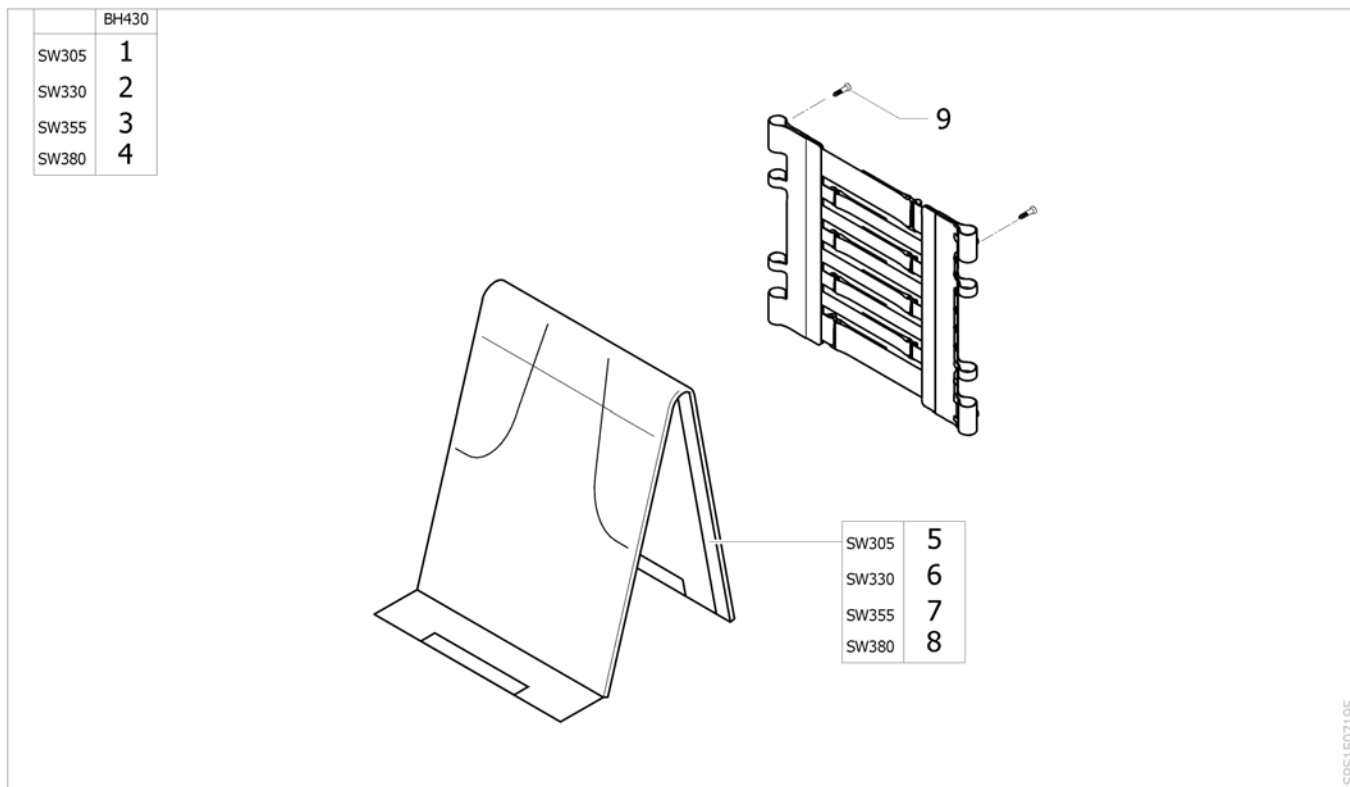
Adjustable Backrest Upholstery



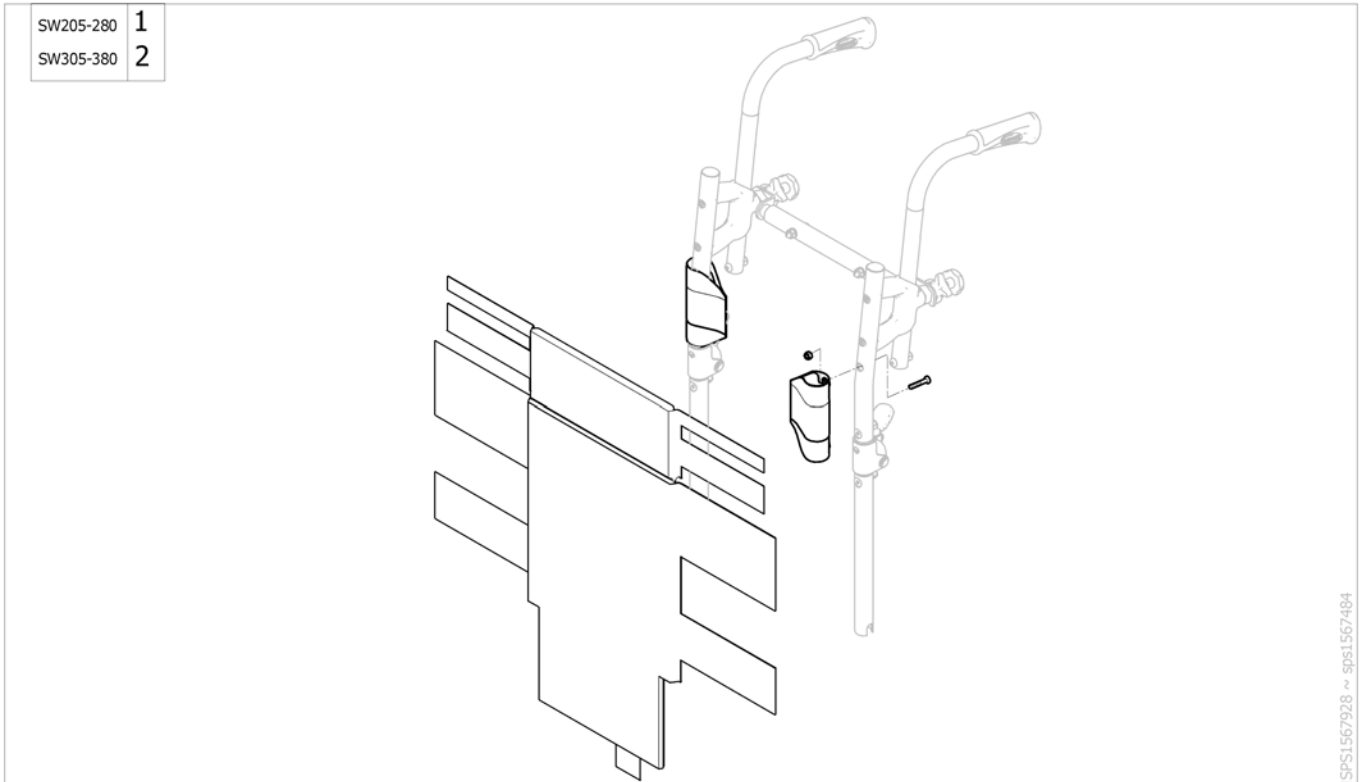
ISPS1513838

Pos.	Part number	Description	Valid from → until	Qty
1	1512251	Adjustable Upholstery SW 205/280 mm <i>[CN_0475]</i>		1
2	1512252	Adjustable Upholstery SW 305/380 mm <i>[CN_0475]</i>		1
3	1428603	Screw Tfb 4,8x19 A2r Tx25 DIN7983 <i>Replace 0029-40005</i>		2

Tension adjustable backrest upholstery

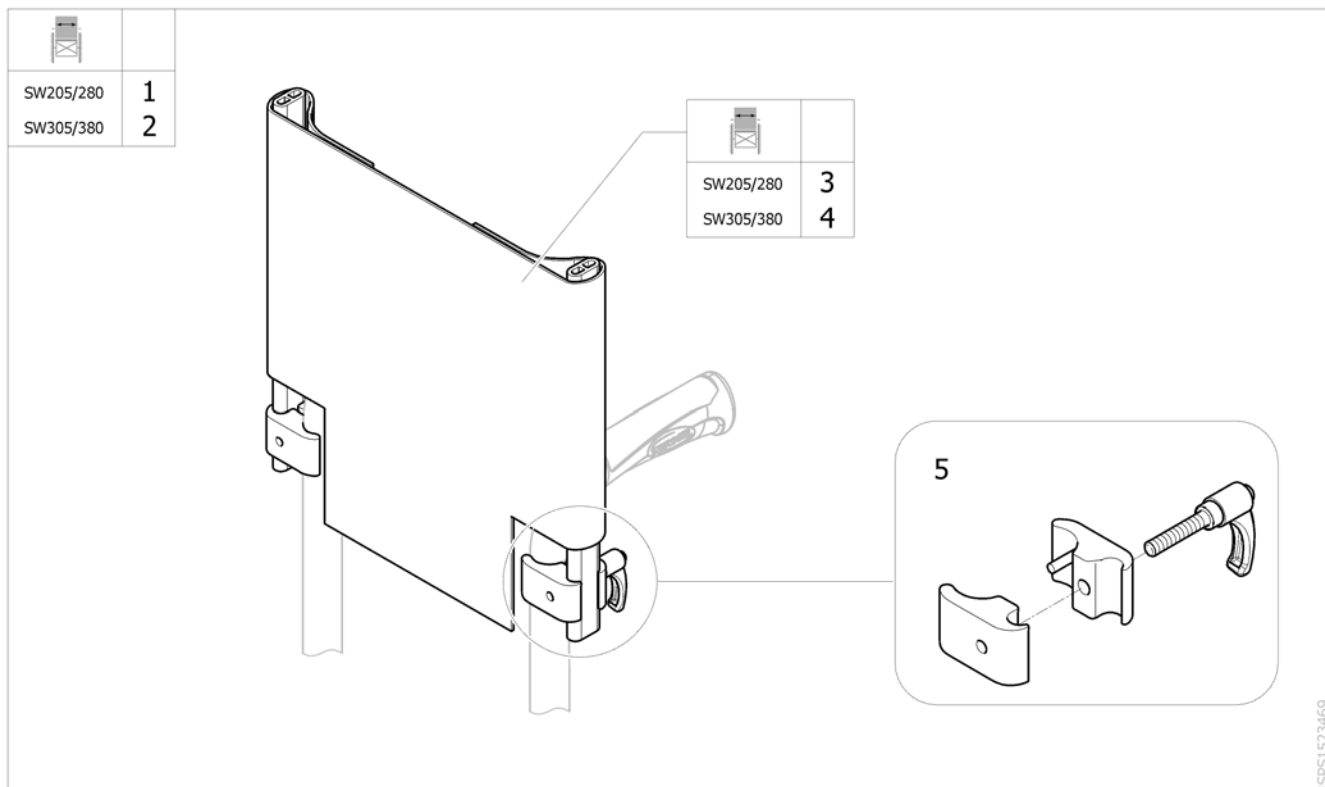


Pos.	Part number	Description	Valid from → until	Qty
1	1507192	Adjustable Upholstery 8 Straps 4 Loops SW 305 mm <i>[CN_0480]</i>		1
2	1507193	Adjustable Upholstery 8 Straps 4 Loops SW 330 mm <i>[CN_0480]</i>		1
3	1507194	Adjustable Upholstery 8 Straps 4 Loops SW 355 mm <i>[CN_0480]</i>		1
4	1513261	Adjustable Upholstery 8 Straps 4 Loops SW 380 mm <i>[CN_0480]</i>		1
5	1506333	Adjustable Back Cover SW 305 mm		1
6	1506334	Adjustable Back Cover SW 330 mm		1
7	1506335	Adjustable Back Cover SW 355 mm		1
8	1513266	Adjustable Back Cover SW 380 mm		1
9	1428603	Screw Tfb 4,8x19 A2r Tx25 DIN7983 <i>Replace 0029-40005</i>		2



Pos.	Part number	Description	Valid from → until	Qty
1	1567535	Adjustable Upholstery PMH SW 205/280 mm [CN_0402]		1
2	1567536	Adjustable Upholstery PMH SW 305/380 mm [CN_0402]		1

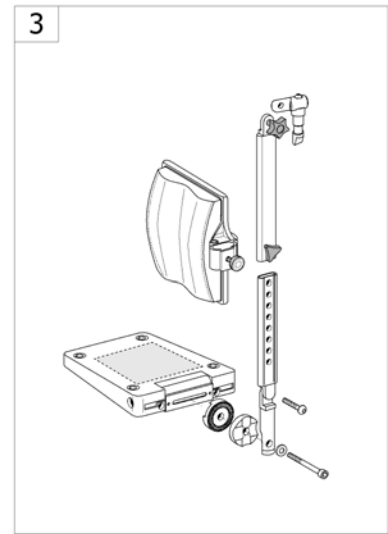
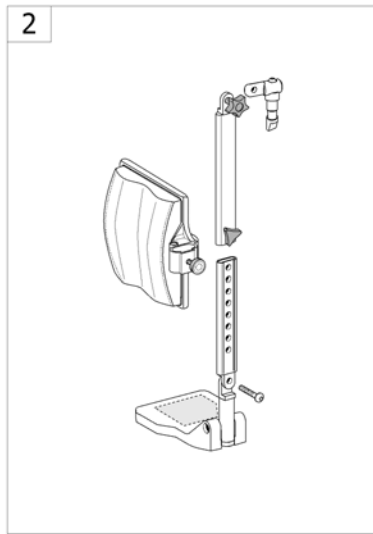
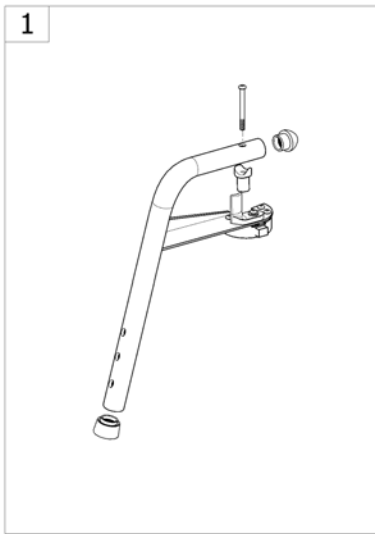
Backrest extension



ISPS1523469

Pos.	Part number	Description	Valid from → until	Qty
1	1522603	Backrest extension SW 205/280 mm <i>[CN_0855]</i>		1
2	1522637	Backrest extension SW 305/380 mm <i>[CN_0855]</i>		1
3	SP1519385	Upholstery for backrest extension SW205/280 mm A3J		1
4	SP1519386	Upholstery for backrest extension SW305/380 mm A3J		1
5	1523620	Backrest extension clamps assy		2

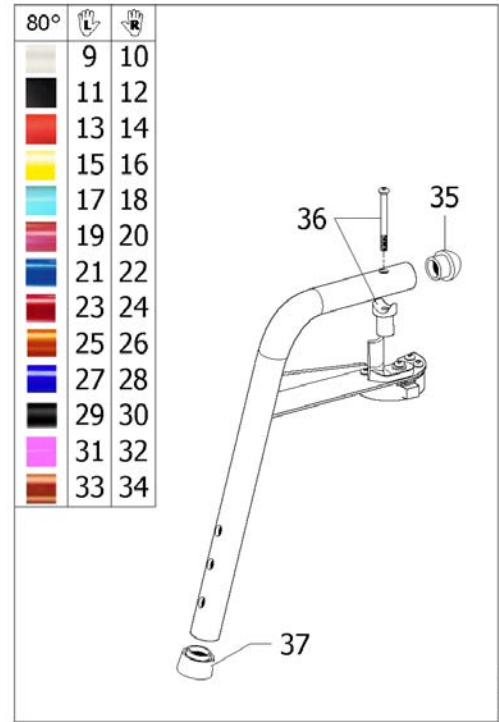
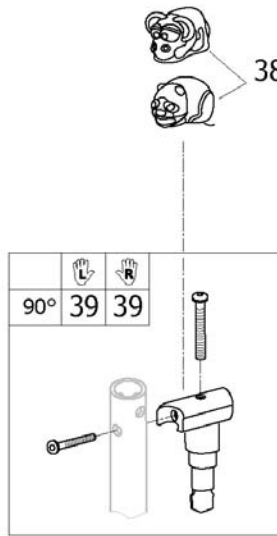
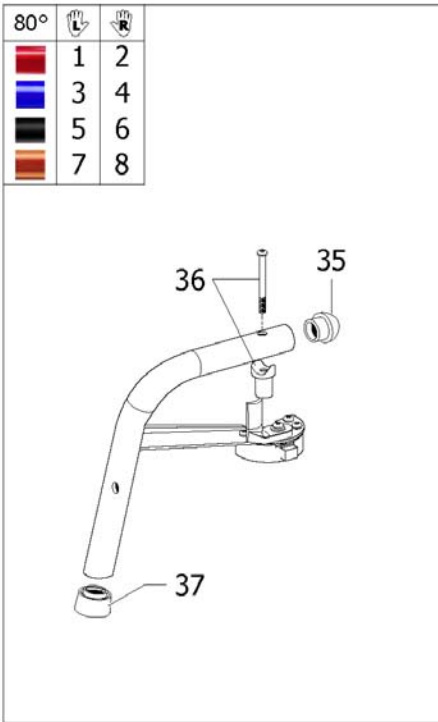
Legrests



<SPCACTION3J30

Pos.	Part number	Description	Valid from → until	Qty
1	-	Front Hanger 80° & 90°		1
2	-	Elevating Legrest with angle adjustable footrest		1
3	-	Elevating Legrest with angle and depth adjustable footrest		1

Front Hanger 80° & 90°



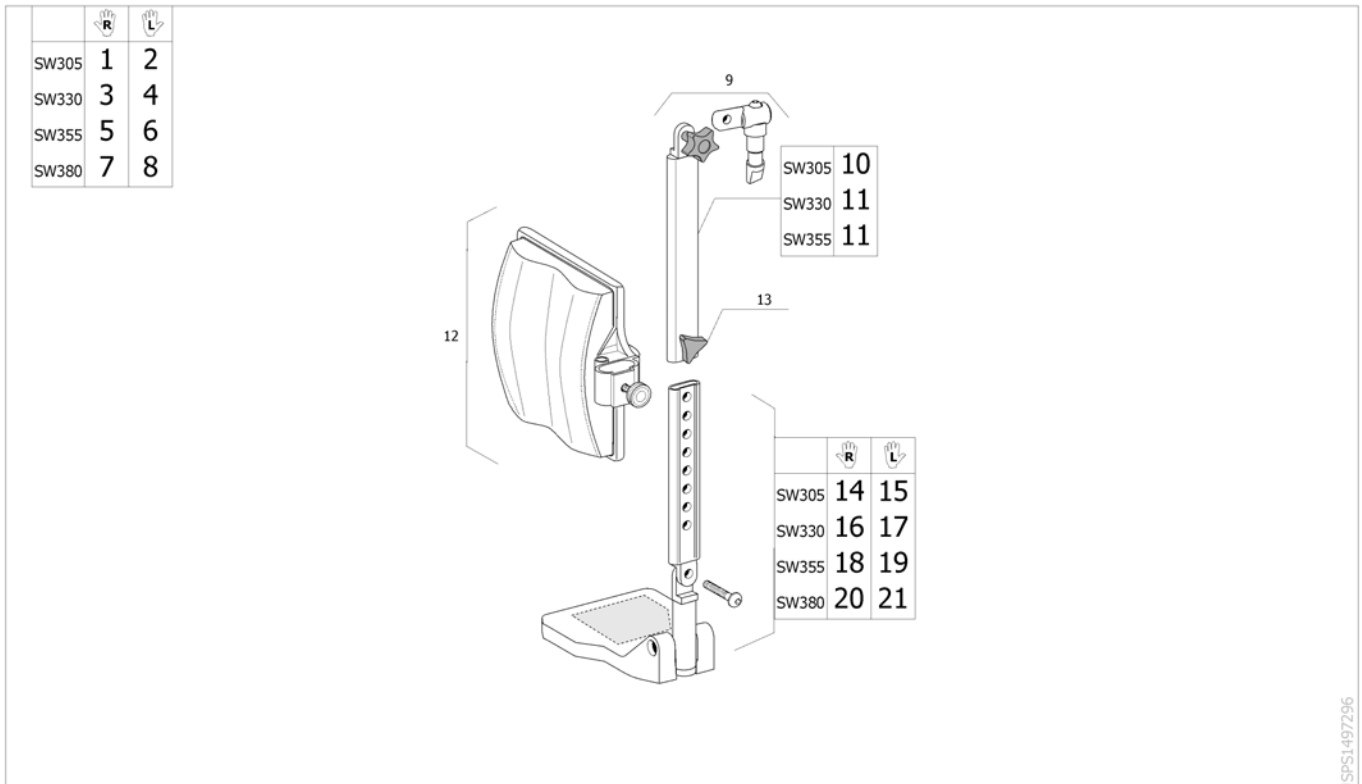
ISPS:1497294

Pos.	Part number	Description	Valid from → until	Qty
1	1428753-0607	Lh Short Hanger 80° A3 Junior Dark Red	→ 2007-12-31	1
2	1428752-0607	Rh Short Hanger 80° A3 Junior Dark Red	→ 2007-12-31	1
3	1428753-0608	Lh Short Hanger 80° A3 Junior Sapphire Blue	→ 2007-12-31	1
4	1428752-0608	Rh Short Hanger 80° A3 Junior Sapphire Blue	→ 2007-12-31	1
5	1428753-0601	Lh Short Hanger 80° A3 Junior Black		1
6	1428752-0601	Rh Short Hanger 80° A3 Junior Black		1
7	1428753-0613	Lh Short Hanger 80° A3 Junior Tangerine Orange	→ 2007-12-31	1
8	1428752-0613	Rh Short Hanger 80° A3 Junior Tangerine Orange	→ 2007-12-31	1
9	SP1514393-0637	Lh Long Hanger 80° A3 Junior Pearl White	2017-01-01 →	1
10	SP1514392-0637	Rh Long Hanger 80° A3 Junior Pearl White	2017-01-01 →	1
11	SP1514393-0646	Lh Long Hanger 80° A3 Junior Matt Black	2017-01-01 →	1
12	SP1514392-0646	Rh Long Hanger 80° A3 Junior Matt Black	2017-01-01 →	1
13	SP1514393-0456	Lh Long Hanger 80° A3 Junior Matt Red	2017-01-01 →	1
14	SP1514392-0456	Rh Long Hanger 80° A3 Junior Matt Red	2017-01-01 →	1
15	SP1514393-0647	Lh Long Hanger 80° A3 Junior Intense Yellow	2017-01-01 →	1
16	SP1514392-0647	Rh Long Hanger 80° A3 Junior Intense Yellow	2017-01-01 →	1
17	SP1514393-0651	Lh Long Hanger 80° A3 Junior Polar Blue	2017-01-01 →	1
18	SP1514392-0651	Rh Long Hanger 80° A3 Junior Polar Blue	2017-01-01 →	1
19	SP1514393-0652	Lh Long Hanger 80° A3 Junior Candy Pink	2017-01-01 →	1
20	SP1514392-0652	Rh Long Hanger 80° A3 Junior Candy Pink	2017-01-01 →	1
21	SP1514393-0643	Lh Long Hanger 80° A3 Junior Pop Blue	2018-04-01 →	1
22	SP1514392-0643	Rh Long Hanger 80° A3 Junior Pop Blue	2018-04-01 →	1
23	1514393-0607	Lh Long Hanger 80° A3 Junior Dark Red	→ 2017-04-30	1
24	1514392-0607	Rh Long Hanger 80° A3 Junior Dark Red	→ 2017-04-30	1
25	SP1514393-0648	Lh Long Hanger 80° A3 Junior Vibrating Orange	2016-01-01 → 2017-04-30	1
26	SP1514392-0648	Rh Long Hanger 80° A3 Junior Vibrating Orange	2016-01-01 → 2017-04-30	1
27	1514393-0608	Lh Long Hanger 80° A3 Junior Sapphir Blue	→ 2018-03-31	1
28	1514392-0608	Rh Long Hanger 80° A3 Junior Sapphir Blue	→ 2017-04-30	1
29	1514393-0609	Lh Long Hanger 80° A3 Junior Anthracite Black	→ 2017-04-30	1
30	1514392-0609	Rh Long Hanger 80° A3 Junior Anthracite Black	→ 2017-04-30	1

Front Hanger 80° & 90°

Pos.	Part number	Description	Valid from → until	Qty
31	1514393-0614	Lh Long Hanger 80° A3 Junior Bubble Gum Pink	→ 2017-04-30	1
32	1514392-0614	Rh Long Hanger 80° A3 Junior Bubble Gum Pink	→ 2017-04-30	1
33	1514393-0613	Lh Long Hanger 80° A3 Junior Tangerine Orange	→ 2015-12-31	1
34	1514392-0613	Rh Long Hanger 80° A3 Junior Tangerine Orange	→ 2015-12-31	1
35	0021-20036	Black 25 mm fine cylindrical cap		1
36	1484580	Hanger Fixation <i>Replace 1017148</i>		2
37	1026124	Foot Rest Support Tip		1
38	1513302	90° Hanger Covers Set		1
39	1513492	90° Hanger Support		1

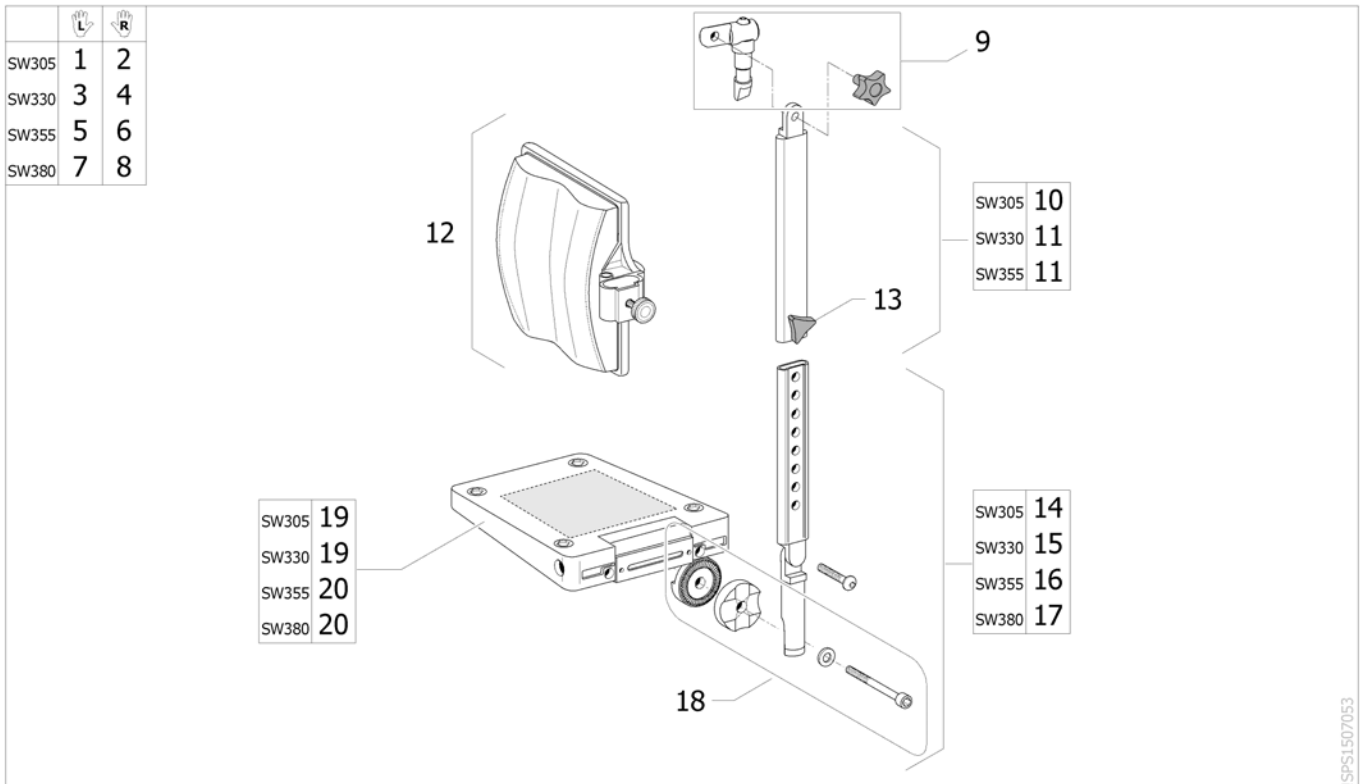
Elevating Legrest with angle adjustable footrest



ISPS1497296

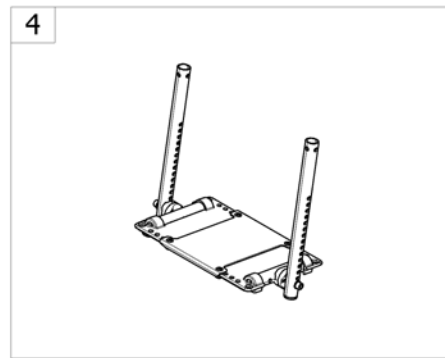
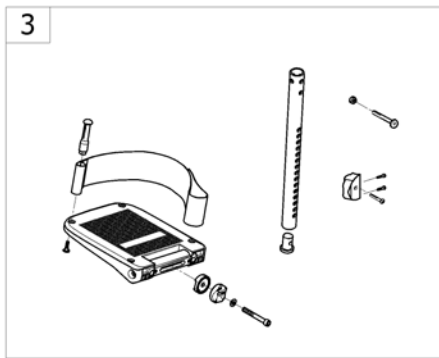
Pos.	Part number	Description	Valid from → until	Qty
1	1478439-0601	Rh Complete Legrest SW 300 mm Without Legrest Cushion		1
2	1449030-0601	Lh Complete Legrest SW 300 mm Without Legrest Cushion		1
3	1428754-0601	Rh Complete Legrest SW 330 mm		1
4	1428755-0601	Lh Complete Legrest SW 330 mm		1
5	1449018-0601	Rh Complete Legrest SW 355 mm		1
6	1449019-0601	Lh Complete Legrest SW 355 mm		1
7	1512438-0601	Rh Complete Legrest SW 380 mm		1
8	1512439-0601	Lh Complete Legrest SW 380 mm		1
9	1428812-0601	Adapter Legrest		2
10	1450950-0601	Sliding Tube Higher Side W 305 mm		2
11	1428808-0601	Sliding Tube Higher Side W 330/355 mm		2
12	1403981	Complete Legrest cushion width 380 mm		2
13	1434623	Ball Screw Court 75mm		2
14	1450909	Rh Articulated Footrest Tube 300 mm		1
15	1450910	Lh Articulated Footrest Tube 300 mm		1
16	1428818-0601	Rh Articulated Footrest Tube 330 mm		1
17	1428823-0601	Lh Articulated Footrest Tube 330 mm		1
18	1449013-0601	Rh Articulated Footrest Tube 355 mm		1
19	1449014-0601	Lh Articulated Footrest Tube 355 mm		1
20	1513238	Rh Articulated Footrest Tube 380 mm		1
21	1513239	Lh Articulated Footrest Tube 380 mm		1

Elevating Legrest with angle and depth adjustable footrest



Pos.	Part number	Description	Valid from → until	Qty
1	1506918	Lh Complete Legrest 300 mm Without Legrest Cushion + Multi Adjustable Footplate		1
2	1506482	Rh Complete Legrest 300 mm Without Legrest Cushion + Multi Adjustable Footplate		1
3	1506920	Lh Complete Legrest 330 mm + Multi Adjustable Footplate		1
4	1506483	Rh Complete Legrest 330 mm + Multi Adjustable Footplate		1
5	1513298	Lh Complete Legrest 355 mm + Multi Adjustable Footplate		1
6	1513297	Rh Complete Legrest 355 mm + Multi Adjustable Footplate		1
7	1512528-0601	Lh Complete Legrest 380 mm + Multi Adjustable Footplate		1
8	1512527-0601	Rh Complete Legrest 380 mm + Multi Adjustable Footplate		1
9	1428812-0601	Adapter Legrest		1
10	1450950-0601	Sliding Tube Higher Side W 305 mm		1
11	1428808-0601	Sliding Tube Higher Side W 330/355 mm		1
12	1403981	Complete Legrest cushion width 380 mm		1
13	1434623	Ball Screw Court 75mm		1
14	1507029	Multi Articulated Footrest Tube 300 mm		1
15	1507030	Multi Articulated Footrest Tube 330 mm		1
16	1507031	Multi Articulated Footrest Tube 355 mm		1
17	1513240	Multi Articulated Footrest Tube 380 mm		1
18	1430839	Screw Kit, Footrest aa		1
19	5106371	Footplate, angle and depht adjustable, 106 mm		1
20	5106374	Footplate, angle and depth adjustable, 141 mm		1

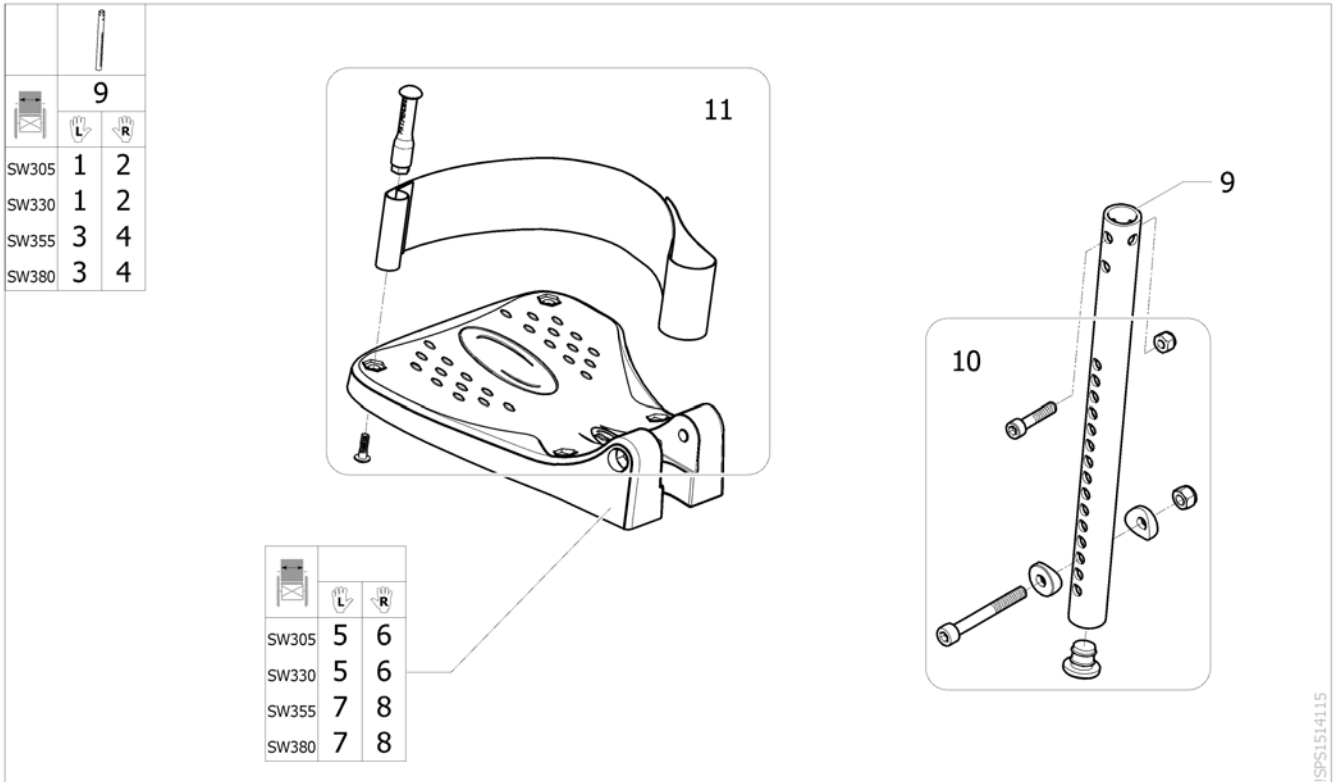
Footrests



-<SPCACTION3135

Pos.	Part number	Description	Valid from → until	Qty
1	-	Standard Footplate		1
2	-	Adjustable Footplate For 80° Hanger		1
3	-	Adjustable Footplate For 90°Hanger		1
4	-	One piece footboard		1

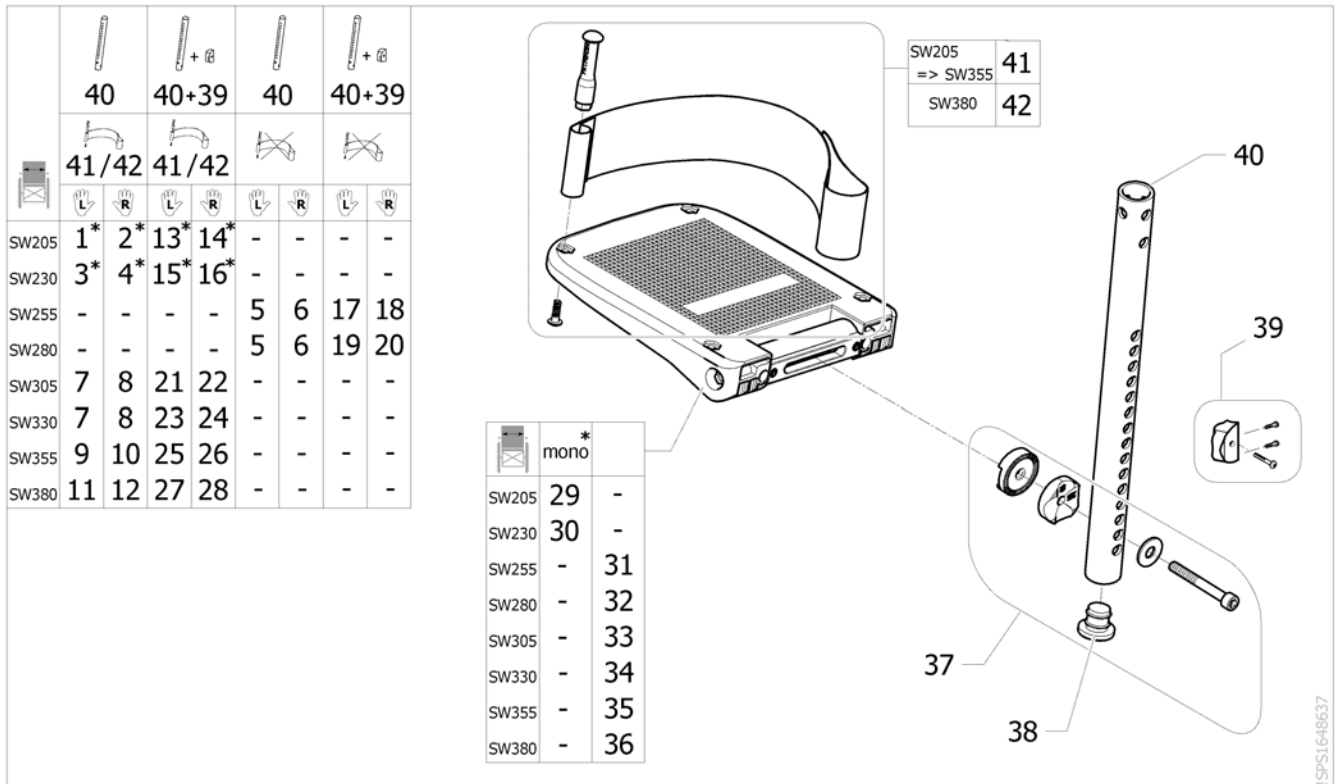
Standard Footplate



ISPS1514115

Pos.	Part number	Description	Valid from → until	Qty
1	1532607	Lh Fixed Footrest Tube SW305/330 mm A3 junior <i>Replace 1428759</i>	2008-02-18 →	1
2	1532606	Rh Fixed Footrest Tube SW305/330 mm A3 junior <i>Replace 1428758</i>	2008-02-18 →	1
3	1532609	Lh Fixed Footrest Tube SW355/380 mm A3 junior <i>Replace 1449009</i>	2008-02-18 →	1
4	1532608	Rh Fixed Footrest Tube SW355/380 mm A3 junior <i>Replace 1449010</i>	2008-02-18 →	1
5	0572-04433	Footplate, fixed, Lh, 133mm		2
6	0572-04447	Footplate, fixed, Rh, 133mm		2
7	0572-04434	Footplate, fixed, Lh, 163mm		2
8	0572-04448	Footplate, fixed, Rh, 163mm		2
9	SP1511849-0005	Junior footrest tube <i>Replace 1511849</i>	2008-02-18 →	2
10	1434612	Kit Fixation Footrest Tube		2
11	1478467	Kit heels strap small adjustable		2
12	0021-20028	Plastic cap black Ø19x15mm		2

Adjustable Footplate For 80° Hanger



Pos.	Part number	Description	Valid from → until	Qty
1	SP1648247	Footrest angle & depht adjustable, Lh, SW205 mm, Hanger 80° (mono-footplate) <i>ONLY ONE FOOTPLATE REQUIRED - Replace 1512255</i>		1
2	SP1648248	Footrest angle & depht adjustable, Rh, SW205 mm, Hanger 80° (mono-footplate) <i>ONLY ONE FOOTPLATE REQUIRED - Replace 1512255</i>		1
3	SP1648249	Footrest angle & depht adjustable, Lh, SW230 mm, Hanger 80° (mono-footplate) <i>ONLY ONE FOOTPLATE REQUIRED - Replace 1512256</i>		1
4	SP1648250	Footrest angle & depht adjustable, Rh, SW230 mm, Hanger 80° (mono-footplate) <i>ONLY ONE FOOTPLATE REQUIRED - Replace 1512256</i>		1
5	SP1648251	Footrest angle & depht adjustable, Lh, SW255/280 mm, Hanger 80° <i>WITHOUT HEEL STRAP - Replace 1525100</i>		1
6	SP1648252	Footrest angle & depht adjustable, Rh, SW255/280 mm, Hanger 80° <i>WITHOUT HEEL STRAP - Replace 1525100</i>		1
7	SP1648253	Footrest angle & depht adjustable, Lh, SW305/330 mm, Hanger 80° <i>Replace 1494144</i>		1
8	SP1648254	Footrest angle & depht adjustable, Rh, SW305/330 mm, Hanger 80° <i>Replace 1494144</i>		1
9	SP1648255	Footrest angle & depht adjustable, Lh, SW355 mm, Hanger 80° <i>Replace 1513299</i>		1
10	SP1648256	Footrest angle & depht adjustable, Rh, SW355 mm, Hanger 80° <i>Replace 1513299</i>		1
11	SP1648257	Footrest angle & depht adjustable, Lh, SW380 mm, Hanger 80° <i>Replace 1512259</i>		1
12	SP1648291	Footrest angle & depht adjustable, Rh, SW380 mm, Hanger 80° <i>Replace 1512259</i>		1
13	SP1648300	Footrest angle & depht adjustable, Lh, SW205 mm, Hanger 80° (mono-footplate) + Optimizer <i>ONLY ONE FOOTPLATE REQUIRED - Replace SP1512537</i>		1
14	SP1648301	Footrest angle & depht adjustable, Rh, SW205 mm, Hanger 80° (mono-footplate) + Optimizer <i>ONLY ONE FOOTPLATE REQUIRED - Replace SP1512537</i>		1
15	SP1648302	Footrest angle & depht adjustable, Lh, SW230 mm, Hanger 80° (mono-footplate) + Optimizer <i>ONLY ONE FOOTPLATE REQUIRED - Replace SP1512538</i>		1

Adjustable Footplate For 80° Hanger

Pos.	Part number	Description	Valid from → until	Qty
16	SP1648303	Footrest angle & depht adjustable, Rh, SW230 mm, Hanger 80° (mono-footplate) + Optimizer <i>ONLY ONE FOOTPLATE REQUIRED - Replace SP1512538</i>		1
17	SP1648308	Footrest angle & depht adjustable, Lh, SW255 mm, Hanger 80° + Optimizer <i>WITHOUT HEEL STRAP - Replace SP1512539</i>		1
18	SP1648309	Footrest angle & depht adjustable, Rh, SW255 mm, Hanger 80° + Optimizer <i>WITHOUT HEEL STRAP - Replace SP1512539</i>		1
19	SP1648310	Footrest angle & depht adjustable, Lh, SW280 mm, Hanger 80° + Optimizer <i>WITHOUT HEEL STRAP - Replace SP1512540</i>		1
20	SP1648311	Footrest angle & depht adjustable, Rh, SW280 mm, Hanger 80° + Optimizer <i>WITHOUT HEEL STRAP - Replace SP1512540</i>		1
21	SP1648312	Footrest angle & depht adjustable, Lh, SW305 mm, Hanger 80° + Optimizer <i>Replace SP1512541</i>		1
22	SP1648313	Footrest angle & depht adjustable, Rh, SW305 mm, Hanger 80° + Optimizer <i>Replace SP1512541</i>		1
23	SP1648314	Footrest angle & depht adjustable, Lh, SW330 mm, Hanger 80° + Optimizer <i>Replace SP1512542</i>		1
24	SP1648315	Footrest angle & depht adjustable, Rh, SW330 mm, Hanger 80° + Optimizer <i>Replace SP1512542</i>		1
25	SP1648331	Footrest angle & depht adjustable, Lh, SW355 mm, Hanger 80° + Optimizer <i>Replace SP1512543</i>		1
26	SP1648332	Footrest angle & depht adjustable, Rh, SW355 mm, Hanger 80° + Optimizer <i>Replace SP1512543</i>		1
27	SP1648340	Footrest angle & depht adjustable, Lh, SW380 mm, Hanger 80° + Optimizer <i>Replace SP1512555</i>		1
28	SP1648341	Footrest angle & depht adjustable, Rh, SW380 mm, Hanger 80° + Optimizer <i>Replace SP1512555</i>		1
29	5106373	Footplate, angle and depth adjustable, 131 mm		1
30	5106375	Footplate, angle and depth adjustable, 156 mm		1
31	1518638	Footplate, angle and depth adjustable, 82 mm		2
32	1518638	Footplate, angle and depth adjustable, 82 mm		2
33	5106371	Footplate, angle and depht adjustable, 106 mm		2
34	5106371	Footplate, angle and depht adjustable, 106 mm		2
35	5106373	Footplate, angle and depth adjustable, 131 mm		2
36	5106374	Footplate, angle and depth adjustable, 141 mm		2
37	1497041	Kit screw for Adjustable Footrest		2
38	0021-20028	Plastic cap black Ø19x15mm		2
39	1513431	Optimizer Kit (only for 80° & 90° hanger)		2
40	SP1511849-0005	Junior footrest tube		2
41	1478467	Kit heels strap small adjustable		2
42	1492315	Kit heelstrap, adjustable, medium		2

Adjustable Footplate For 90°Hanger

	41	41+39	41	41+39				
	42/43	42/43						
SW205	1*	2*	13*	14*	-	-	-	-
SW230	3*	4*	15*	16*	-	-	-	-
SW255	-	-	-	-	5	6	17	18
SW280	-	-	-	-	5	6	19	20
SW305	7	8	21	22	-	-	-	-
SW330	7	8	23	24	-	-	-	-
SW355	9	10	25	26	-	-	-	-
SW380	11	12	27	28	-	-	-	-

	mono	*
SW205	29	-
SW230	30	-
SW255	-	31
SW280	-	32
SW305	-	33
SW330	-	34
SW355	-	35
SW380	-	36

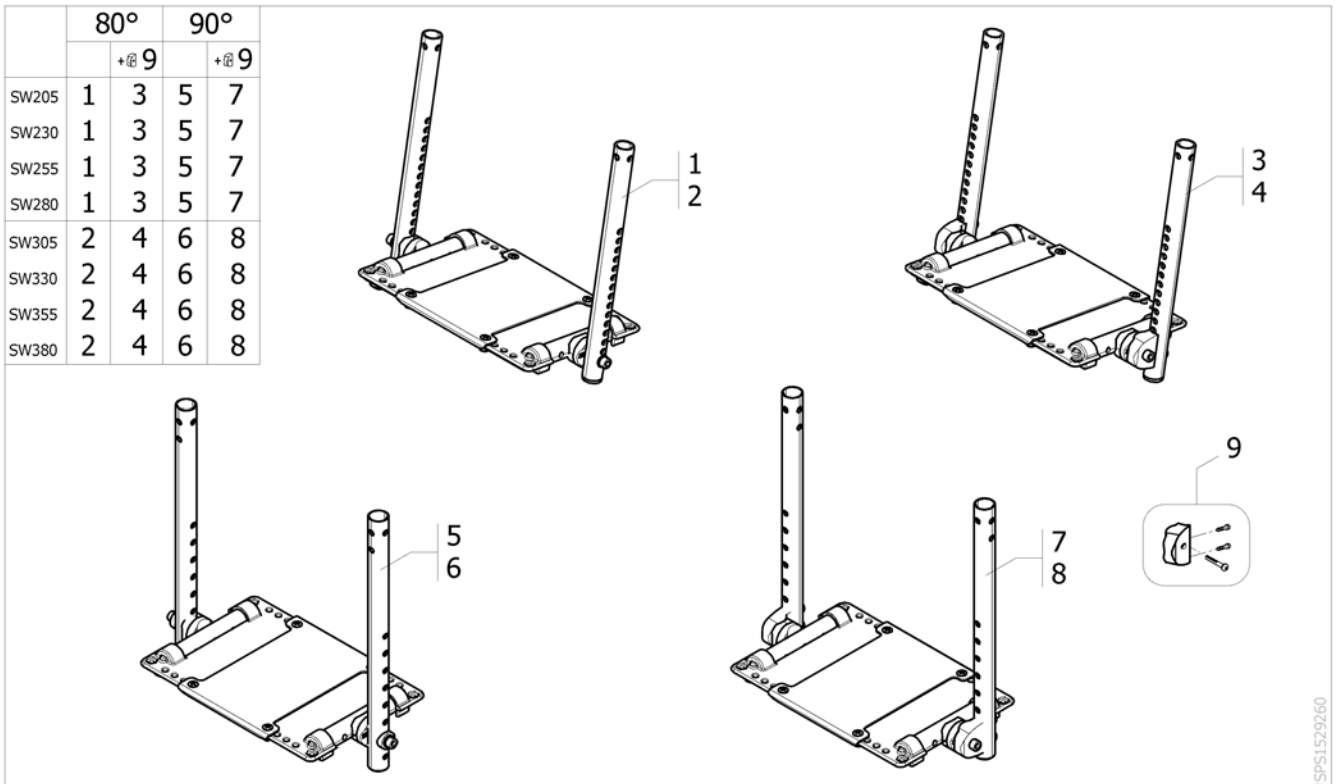
ESP51648638

Pos.	Part number	Description	Valid from → until	Qty
1	SP1648443	Footrest angle & depht adjustable, Lh, SW205 mm, Hanger 90° (mono-footplate) <i>ONLY ONE FOOTPLATE REQUIRED - Replace 1512287</i>		1
2	SP1648499	Footrest angle & depht adjustable, Rh, SW205 mm, Hanger 90° (mono-footplate) <i>ONLY ONE FOOTPLATE REQUIRED - Replace 1512287</i>		1
3	SP1648500	Footrest angle & depht adjustable, Lh, SW230 mm, Hanger 90° (mono-footplate) <i>ONLY ONE FOOTPLATE REQUIRED - Replace 1512288</i>		1
4	SP1648501	Footrest angle & depht adjustable, Rh, SW230 mm, Hanger 90° (mono-footplate) <i>ONLY ONE FOOTPLATE REQUIRED - Replace 1512288</i>		1
5	SP1648502	Footrest angle & depht adjustable, Lh, SW255/280 mm, Hanger 90° <i>WITHOUT HEEL STRAP - Replace 1525102</i>		1
6	SP1648503	Footrest angle & depht adjustable, Rh, SW255/280 mm, Hanger 90° <i>WITHOUT HEEL STRAP - Replace 1525102</i>		1
7	SP1648504	Footrest angle & depht adjustable, Lh, SW305/330 mm, Hanger 90° <i>Replace 1512291</i>		1
8	SP1648505	Footrest angle & depht adjustable, Rh, SW305/330 mm, Hanger 90° <i>Replace 1512291</i>		1
9	SP1648506	Footrest angle & depht adjustable, Lh, SW355 mm, Hanger 90° <i>Replace 1512398</i>		1
10	SP1648507	Footrest angle & depht adjustable, Rh, SW355 mm, Hanger 90° <i>Replace 1512398</i>		1
11	SP1648508	Footrest angle & depht adjustable, Lh, SW380 mm, Hanger 90° <i>Replace 1512410</i>		1
12	SP1648509	Footrest angle & depht adjustable, Rh, SW380 mm, Hanger 90° <i>Replace 1512410</i>		1
13	SP1648510	Footrest angle & depht adjustable, Lh, SW205 mm, Hanger 90° (mono-footplate) + Optimizer		1
14	SP1648511	Footrest angle & depht adjustable, Rh, SW205 mm, hanger 90° (mono-footplate) + Optimizer		1
15	SP1648512	Footrest angle & depht adjustable, Lh, SW230 mm, Hanger 90° (mono-footplate) + Optimizer		1
16	SP1648531	Footrest angle & depht adjustable, Rh, SW230 mm, Hanger 90° (mono-footplate) + Optimizer		1

Adjustable Footplate For 90°Hanger

Pos.	Part number	Description	Valid from → until	Qty
17	SP1648559	Footrest angle & depht adjustable, Lh, SW255 mm, Hanger 90° + Optimizer		1
18	SP1648560	Footrest angle & depht adjustable, Rh, SW255 mm, Hanger 90° + Optimizer		1
19	SP1648582	Footrest angle & depht adjustable, Lh, SW280 mm, Hanger 90° + Optimizer		1
20	SP1648583	Footrest angle & depht adjustable, Rh, SW280 mm, Hanger 90° + Optimizer		1
21	SP1648593	Footrest angle & depht adjustable, Lh, SW305 mm, Hanger 90° + Optimizer		1
22	SP1648594	Footrest angle & depht adjustable, Rh, SW305 mm, Hanger 90° + Optimizer		1
23	SP1648595	Footrest angle & depht adjustable, Lh, SW330 mm, Hanger 90° + Optimizer		1
24	SP1648631	Footrest angle & depht adjustable, Rh, SW330 mm, Hanger 90° + Optimizer		1
25	SP1648632	Footrest angle & depht adjustable, Lh, SW355 mm, Hanger 90° + Optimizer		1
26	SP1648633	Footrest angle & depht adjustable, Rh, SW355 mm, Hanger 90° + Optimizer		1
27	SP1648634	Footrest angle & depht adjustable, Lh, SW380 mm, Hanger 90° + Optimizer		1
28	SP1648635	Footrest angle & depht adjustable, Rh, SW380 mm + Optimizer, Hanger 90°		1
29	5106373	Footplate, angle and depth adjustable, 131 mm		1
30	5106375	Footplate, angle and depth adjustable, 156 mm		1
31	1518638	Footplate, angle and depth adjustable, 82 mm		2
32	1518638	Footplate, angle and depth adjustable, 82 mm		2
33	5106371	Footplate, angle and depht adjustable, 106 mm		2
34	5106371	Footplate, angle and depht adjustable, 106 mm		2
35	5106373	Footplate, angle and depth adjustable, 131 mm		2
36	5106374	Footplate, angle and depth adjustable, 141 mm		2
37	1424576	Plastic cap black Ø20mm		2
38	1430839	Screw Kit, Footrest aa		2
39	1513431	Optimizer Kit (only for 80° & 90° hanger)		2
40	1513432	Stabilizer footrest tube fixation		2
41	SP1506244-0699	Footrest tube long straight for fixed frame		2
42	1478467	Kit heels strap small adjustable		2
43	1492315	Kit heelstrap, adjustable, medium		2

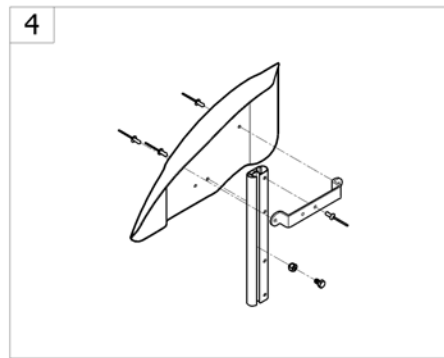
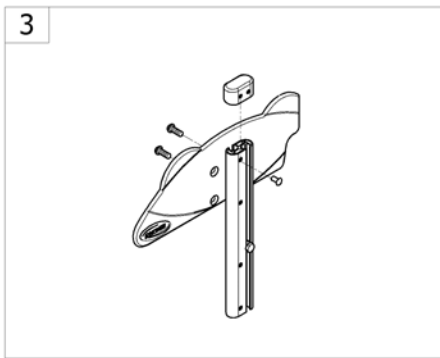
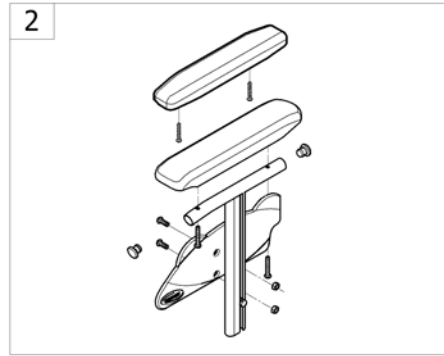
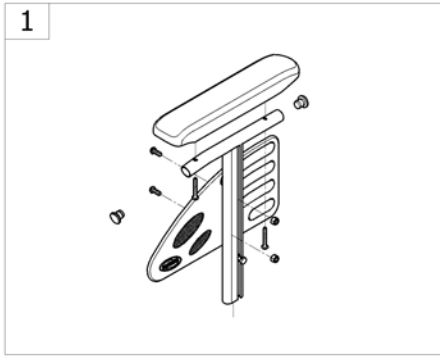
One piece footboard



ISPS1529260

Pos.	Part number	Description	Valid from → until	Qty
1	1528511	Adjustable one piece footboard mounted in 205 for hanger 80° (SW205-230-255-280 mm)		1
2	1528515	Adjustable one piece footboard mounted in 305 for hanger 80° (SW305-330-355-380 mm)		1
3	1528634	Adjustable one piece footboard mounted in 205 for hanger 80° + optimizer (SW205-230-255-280 mm)		1
4	1528638	Adjustable one piece footboard mounted in 305 for hanger 80° + optimizer (SW305-330-355-380 mm)		1
5	1528773	Adjustable one piece footboard mounted in 205 for hanger 90° (SW205-230-255-280 mm)		1
6	1528818	Adjustable one piece footboard mounted in 305 for hanger 90° (SW305-330-355-380 mm)		1
7	1528822	Adjustable one piece footboard mounted in 205 for hanger 90° + optimizer (SW205-230-255-280 mm)		1
8	1528826	Adjustable one piece footboard mounted in 305 for hanger 90° + optimizer (SW305-330-355-380 mm)		1
9	1513431	Optimizer Kit (only for 80° & 90° hanger)		2

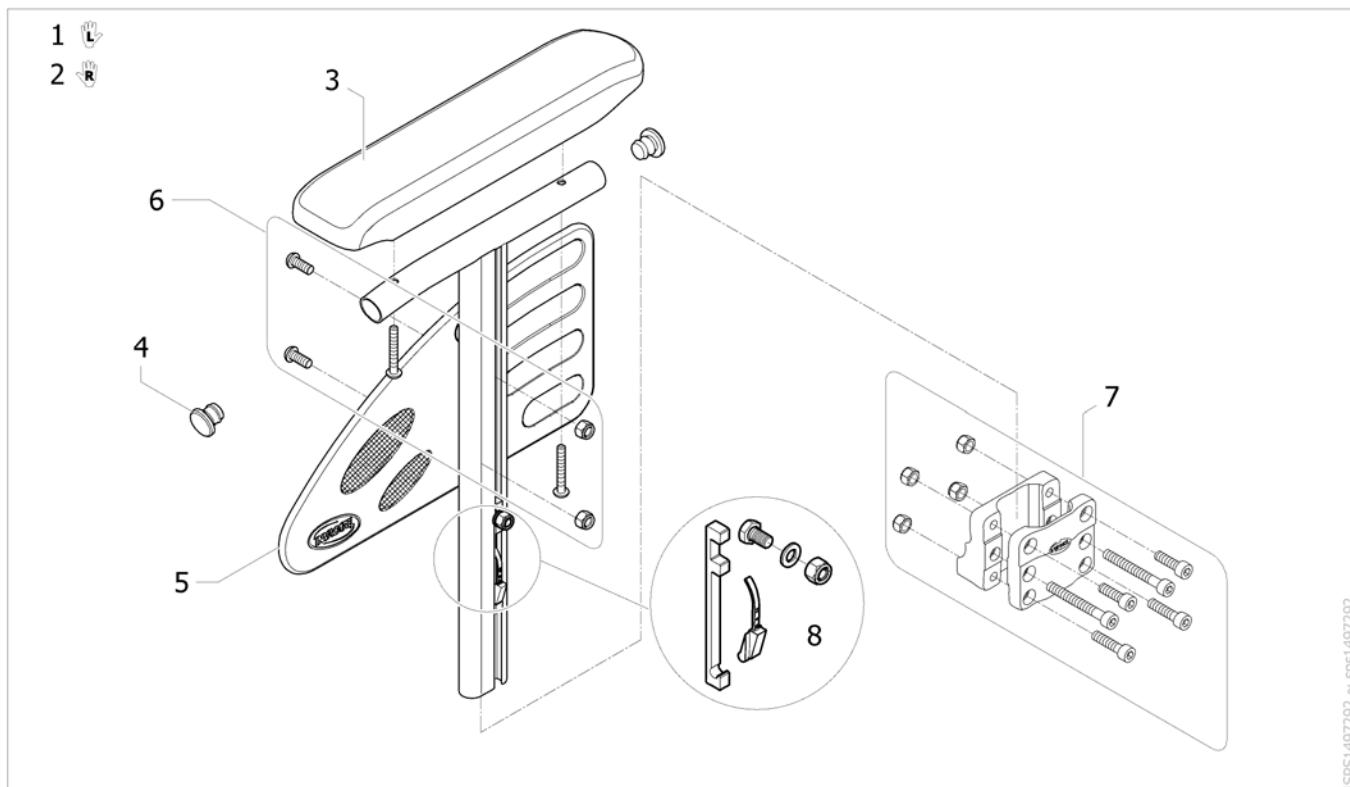
Siderests



-<SPCACTION3J40

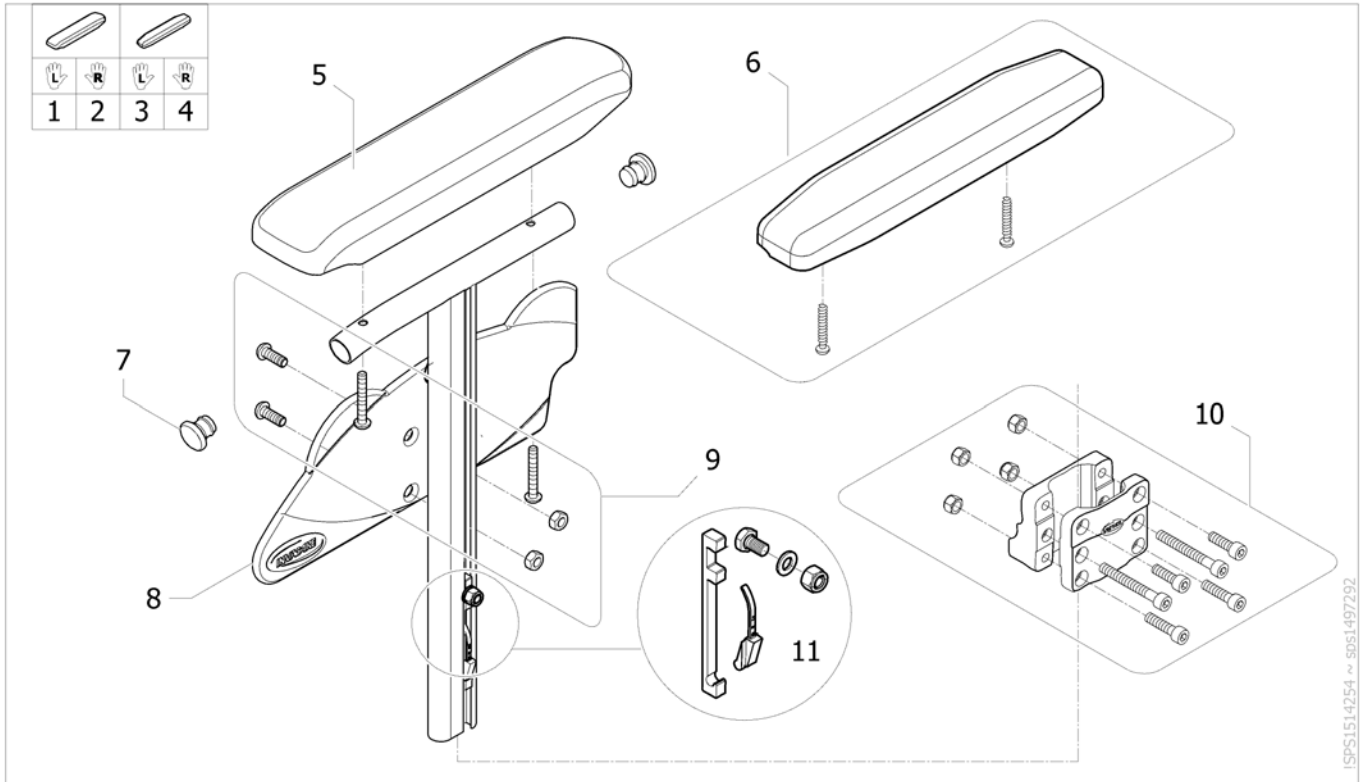
Pos.	Part number	Description	Valid from → until	Qty
1	-	Height Adjustable Armrest N°1 [CN_0640/CN_0740]		1
2	-	Height Adjustable Armrest N°1 Junior [CN_0645/CN_0646/CN_0745/CN_0746]		1
3	-	Height Adjustable Skirtguard Junior [CN_0655/CN_0755]		1
4	-	Mudguard Xtra [CN_0650/CN_0750]		1

Height Adjustable Armrest N°1



Pos.	Part number	Description	Valid from → until	Qty
1	1489056-0601	Lh Armrest N°1 Complete A3 Junior <i>[CN_0740]</i>		1
2	1489055-0601	Rh Armrest N°1 Complete A3 Junior <i>[CN_0640]</i>		1
3	1543220	Short armpad 280mm + 2 screws <i>Replace 1426721</i>		2
4	0021-20028	Plastic cap black Ø19x15mm		4
5	1425601	Skirtguard black		2
6	1430422	Armrest N°1 screws kit		2
7	1430421	Central armrest support <i>Replace 1484398 - 1484399</i>		2
8	SP1589904	Kit locking system for armrest 1		2

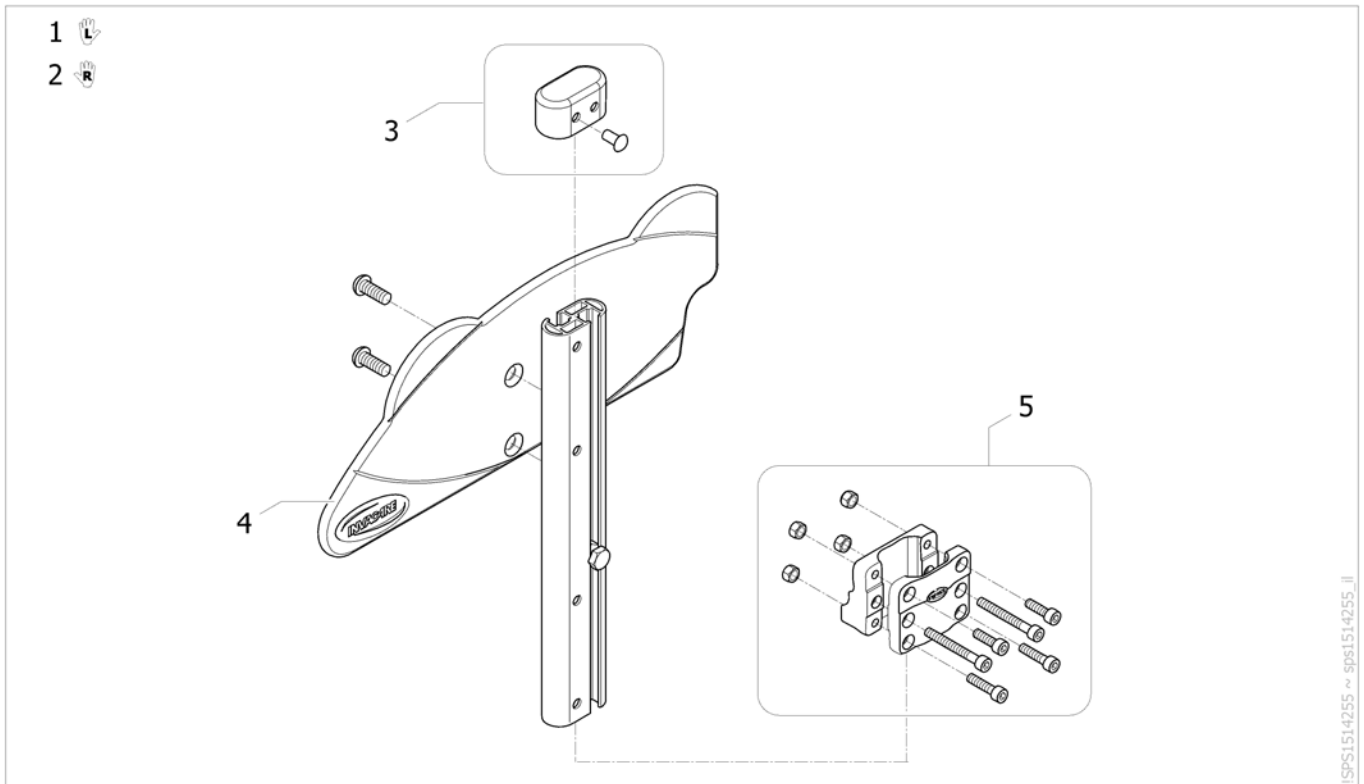
Height Adjustable Armrest N°1 Junior



ISPS1514254 ~ s051497292

Pos.	Part number	Description	Valid from → until	Qty
1	1512646-0601	Lh Armrest N°1 Junior short armpad <i>[CN_0745]</i>		1
2	1512645-0601	Rh Armrest N°1 Junior short armpad <i>[CN_0645]</i>		1
3	1555966-0601	Lh Armrest N°1 Junior short & narrow armpad <i>[CN_0746]</i>		1
4	1555967-0601	Rh Armrest N°1 Junior short & narrow armpad <i>[CN_0646]</i>		1
5	1543220	Short armpad 280mm + 2 screws <i>Replace 1426721</i>		2
6	1558356	Kit armpad short & narrow + 2 screws		2
7	0021-20028	Plastic cap black Ø19x15mm		4
8	1510385	Armrest skirtguard Junior		2
9	1430422	Armrest N°1 screws kit		2
10	1430421	Central armrest support <i>Replace 1484398 - 1484399</i>		2
11	SP1589904	Kit locking system for armrest 1		2

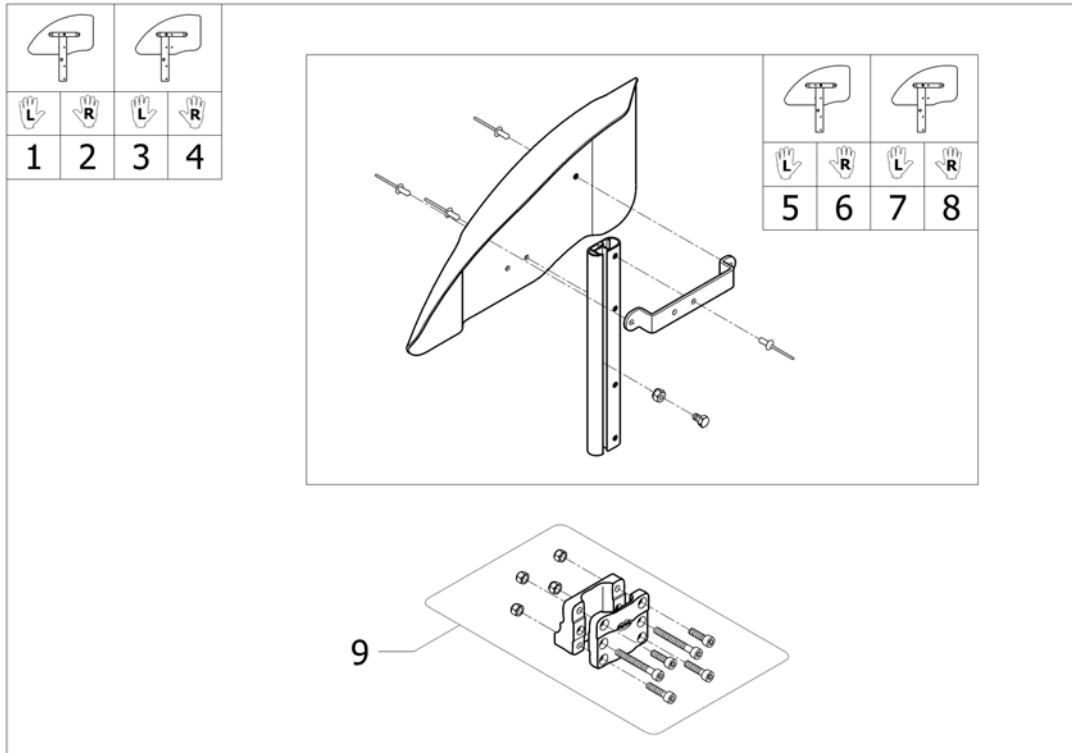
Height Adjustable Skirtguard Junior



ISPS1514255 ~ sps1514255_II

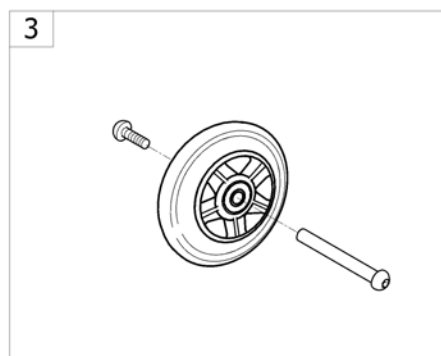
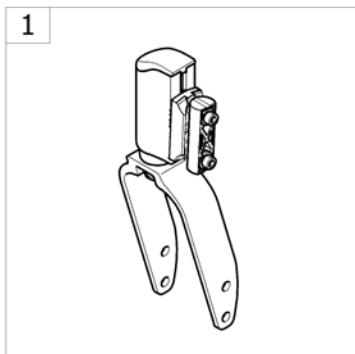
Pos.	Part number	Description	Valid from → until	Qty
1	1513214-0601	Lh Skirtguard Junior Complete [CN_0755]		1
2	1512647-0601	Rh Skirtguard Junior Complete [CN_0655]		1
3	1513515	Kit cap + rivet for skirt guard		1
4	1510385	Armrest skirtguard Junior		1
5	1430421	Central armrest support		2

Mudguard Xtra



Pos.	Part number	Description	Valid from → until	Qty
1	1486042	Lh Mudguard A3 Complete <i>[CE_1190][CK_1055/CK_1060][CN_0160/CN_0162/CN_0170/CN_0171/CN_0250/CN_0255]</i>		1
2	1486041	Rh Mudguard A3 Complete <i>[CE_1190][CK_1055/CK_1060][CN_0160/CN_0162/CN_0170/CN_0171/CN_0250/CN_0255]</i>		1
3	1492739	Lh Mudguard A3-A3J Complete Back Position <i>[CE_1200/CE_1201][CK_1070/CK_1075][CN_0161/CN_0240/CN_0251]</i>		1
4	1492738	Rh Mudguard A3-A3J Complete Back Position <i>[CE_1200/CE_1201][CK_1070/CK_1075][CN_0161/CN_0240/CN_0251]</i>		1
5	1488806	Lh Mudguard + Fixation		1
6	1488805	Rh Mudguard + Fixation		1
7	1558371	Lh Mudguard back position + fixation		1
8	1558372	Rh Mudguard back position + fixation		1
9	1430421	Central armrest support		2

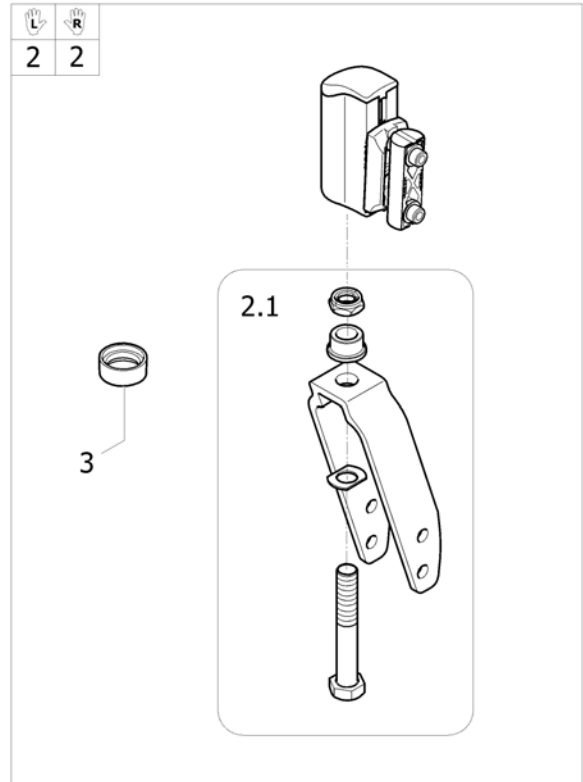
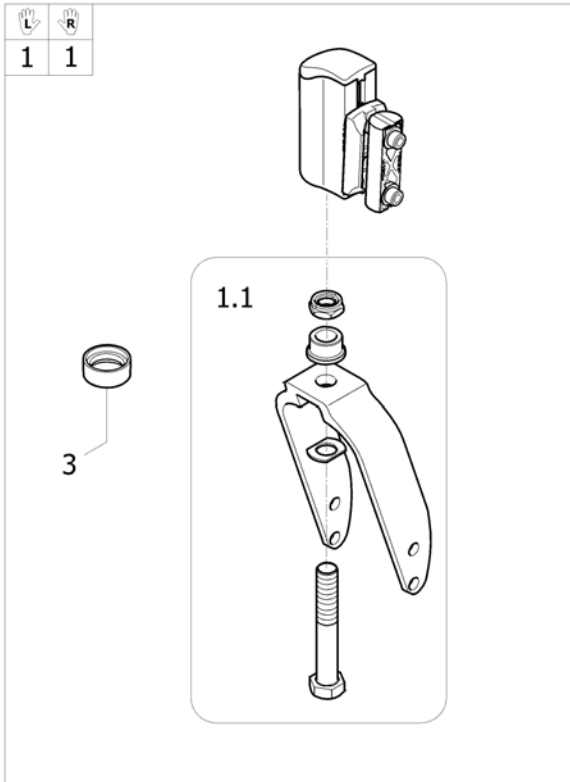
Front Wheels



<SPCACTION3J50

Pos.	Part number	Description	Valid from → until	Qty
1	-	Forks		1
2	-	Forks supports adjustable		1
3	-	Front wheels		1

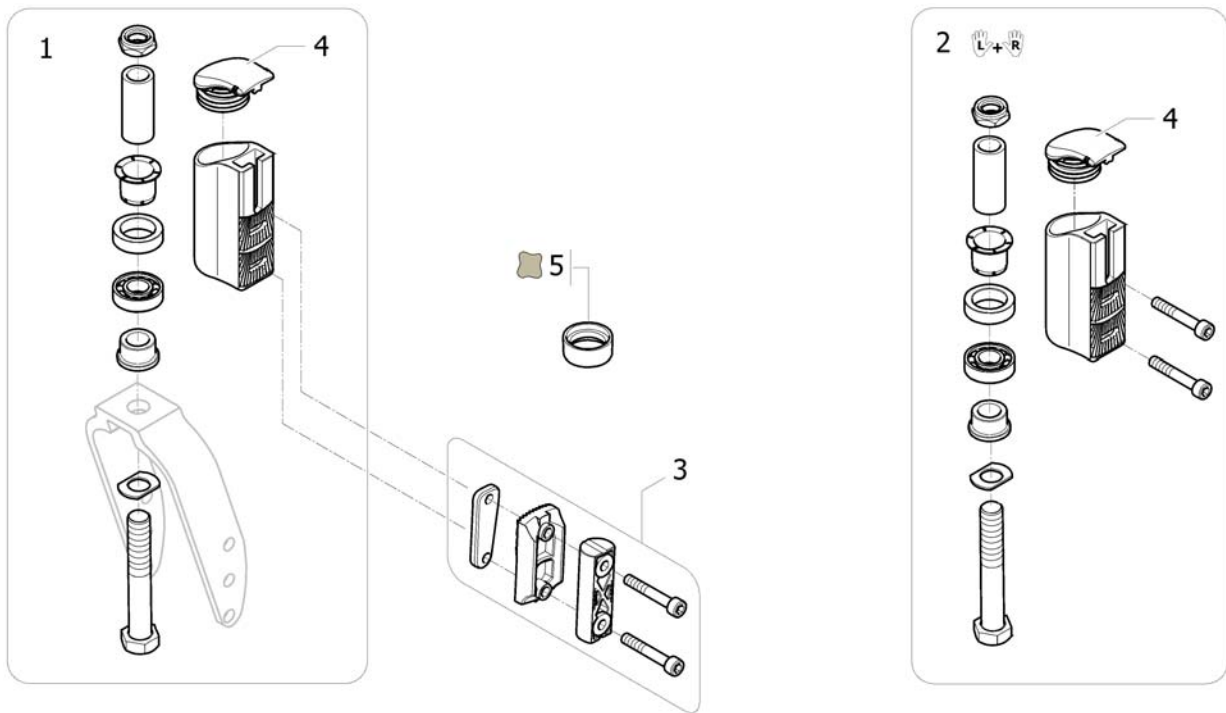
Forks



ISPS1514256 ~ 1523962

Pos.	Part number	Description	Valid from → until	Qty
1	1513248	Kit fork Action alu black W61 2 positions + axle + support adj		2
1.1	1513547	Kit fork Action alu black W61 2 positions + axle		2
2	1513247	Kit fork Action alu black W36, 2 positions + axle + support adj <i>[CN_1000/CN_1001] - Replace 1529518</i>		2
2.1	1513536	Kit fork Action alu black W36, 2 positions + axle <i>[CN_1000/CN_1001]</i>		2
3	1529516-0618	Fork ring Champagne		2

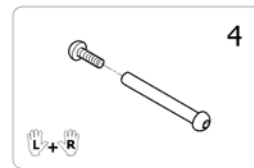
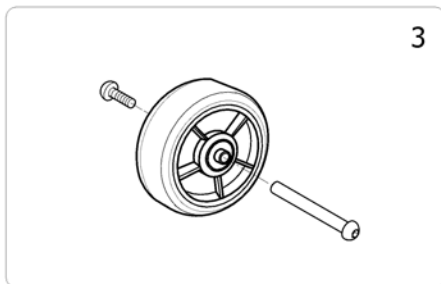
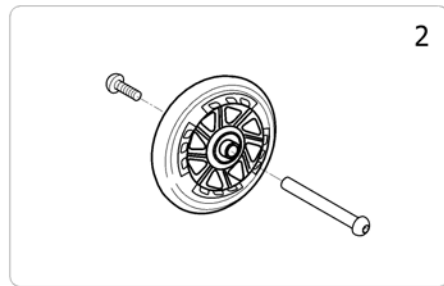
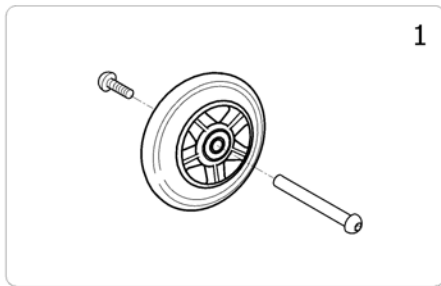
Forks supports adjustable



ISPS15315968

Pos.	Part number	Description	Valid from → until	Qty
1	SP1608074	Kit fork support adj Action alu black, bearing housing + axle (2011 <i>Replace 1444804 (Interchangeable)</i>)		1
2	SP1608075	Kit fork support adj Action alu black, bearing housing + axle (pair, Transformation kit to 2011 version) <i>Replace 1556557 (Interchangeable)</i>	→ 2011-11-13	2
3	1450028	Kit fork support adj Action alu black, plate & inserts only		2
4	1540575	Plastic plug, castor housing		2
5	1529516-0618	Fork ring Champagne		2

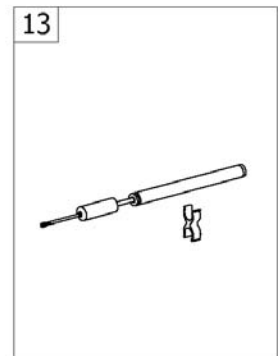
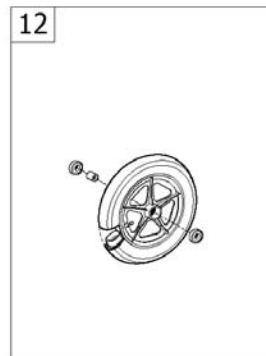
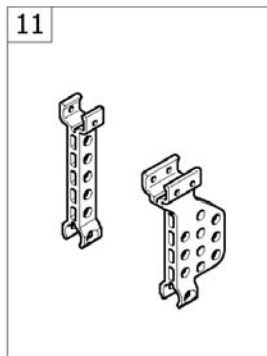
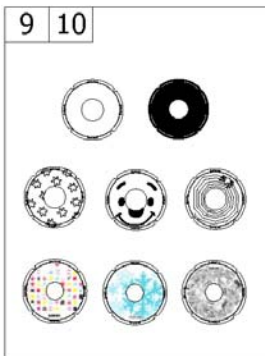
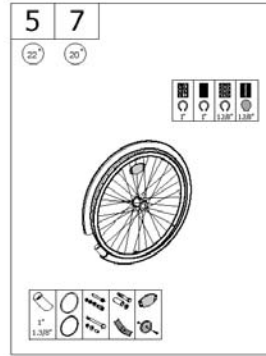
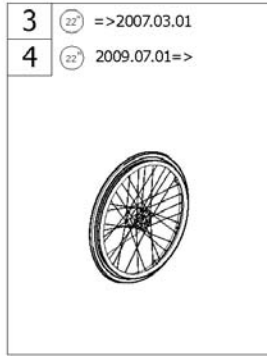
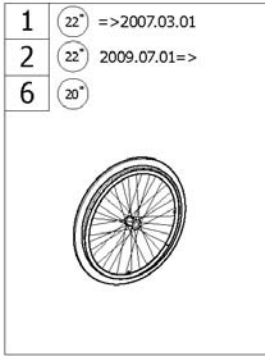
Front wheels



ISPS1497302

Pos.	Part number	Description	Valid from → until	Qty
1	SP1585997	Front wheel 125x30 solid tyre + axle for fork width 36mm <i>Replace 1450173 for WC after 27/01/2015</i>	2015-01-28 →	2
1	SP1586003	Pair front wheels 125x30 solid tyre + axle for fork width 36mm <i>Replace 1450173 for WC before 28/01/2015</i>	→ 2015-01-27	1
2	1513250	Front wheel 5" x 1" + axle, Lighted solid castor, L36 mm		2
3	SP1584367	Front wheel 5" x 1.3/4" Solid tyre + axle W60mm (unit) <i>Replace 1513249 for WC after 12/08/2014</i>	2014-08-13 →	2
3	SP1582781	Pair front wheel 5" x 1.3/4" + axle, Solid tyre, W60mm <i>Replace 1513249 for WC before 13/08/2014</i>	→ 2014-08-12	1
4	1561356	Kit axle M8 for forks L36 (Pair)		1

Rear Wheels

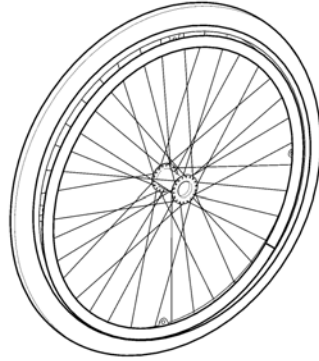







-<SPCACTION3355

Pos.	Part number	Description	Valid from → until	Qty
1	-	22" Standard Wheels 2007-03=>	2007-03-01 →	1
2	-	22" Standard Wheels =>2007-03	→ 2007-02-28	1
3	-	22" Hub brake wheels 2007-03=>	2007-03-01 →	1
4	-	22" Hub brake wheels =>2007-03	→ 2007-02-28	1
5	-	22" Standard Wheels accessories		1
6	-	20" Standard Wheels		1
7	-	20" Standard Wheels accessories		1
8	-	Quick release axle dia 12 Action		1
9	-	Spoke Guard Color		1
10	-	Spoke Guard		1
11	-	Rear Wheel Supports => 2017.09.17		1
12	-	12" Rear Wheels		1
13	-	Pump		1

22" Standard Wheels 2007-03=>

22"



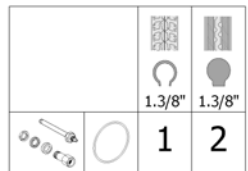
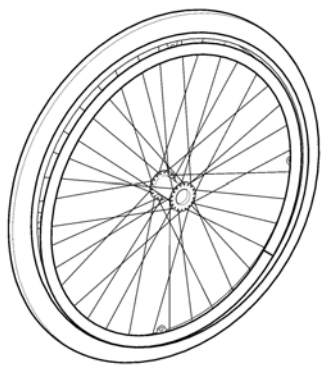
			
	1.3/8"	1.3/8"	1.3/8"
	1	2	3
	4	5	6

ISPS1524445

Pos.	Part number	Description	Valid from → until	Qty
1	1498434	22" x 1.3/8" wheel,spoked,anodized handrim,pneumatic	2007-03-01 →	2
2	1498432	22" x 1.3/8" wheel,spoked,anodized handrim,solid tyre,	2007-03-01 →	2
3	1508826	22" x 1" spoked + anodized handrim + black solid tyre	2007-03-01 →	2
4	1498435	22" x 1.3/8" wheel,spoked,anti-slip handrim,pneumatic	2007-03-01 →	2
5	1498433	22" x 1.3/8" wheel,spoked,anti-slip handrim,solid tyre	2007-03-01 →	2
6	1557800	22" x 1.3/8" spoked + anti-slip handrim + black solid tyre	2007-03-01 →	2

22" Standard Wheels =>2007-03

22"

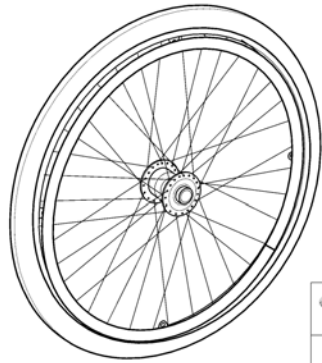


ISPS1524446

Pos.	Part number	Description	Valid from → until	Qty
1	1505306	Pair 22" x 1.3/8" spoked + anodized handrim + pneumatic tyre + QR axle	2006-03-01 → 2007-02-28	1
2	1505308	Pair 22" x 1.3/8" spoked + anodized handrim + solid tyre + QR axle	2006-03-01 → 2007-02-28	1

22" Hub brake wheels 2007-03=>

22"



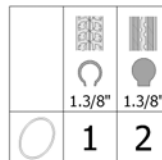
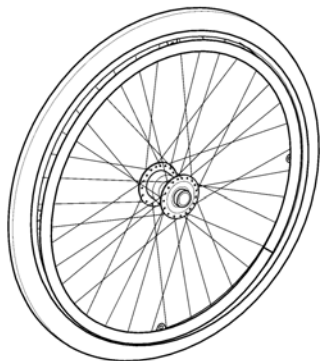
	1.3/8"	1.3/8"	1.3/8"
	1	2	3
	4	5	6

ISPS1524461

Pos.	Part number	Description	Valid from → until	Qty
1	1498466	Rear wheel, 22", hub brake, pneumatic tyre 1.3/8", aluminium handrim	2007-03-01 →	2
2	1498461	Rear wheel, 22", hub brake, solid tyre 1.3/8", aluminium handrim	2007-03-01 →	2
3	1572710	22" x 1"hub brake spoked + anodized handrim + black solid tyre	2013-07-01 →	2
4	1557823	Rear wheel, 22", hub brake, pneumatic tyre 1.3/8", anti-slip handrim	2007-03-01 →	2
5	1557801	Rear wheel, 22", hub brake, solid tyre 1.3/8", anti-slip handrim	2007-03-01 →	2
6	1572911	22" x 1"hub brake spoked + hand anti-slip + black solid tyre	2013-07-01 →	2
7	1505290	QR axle for hub brake spoked wheels	2007-03-01 →	2

22" Hub brake wheels =>2007-03

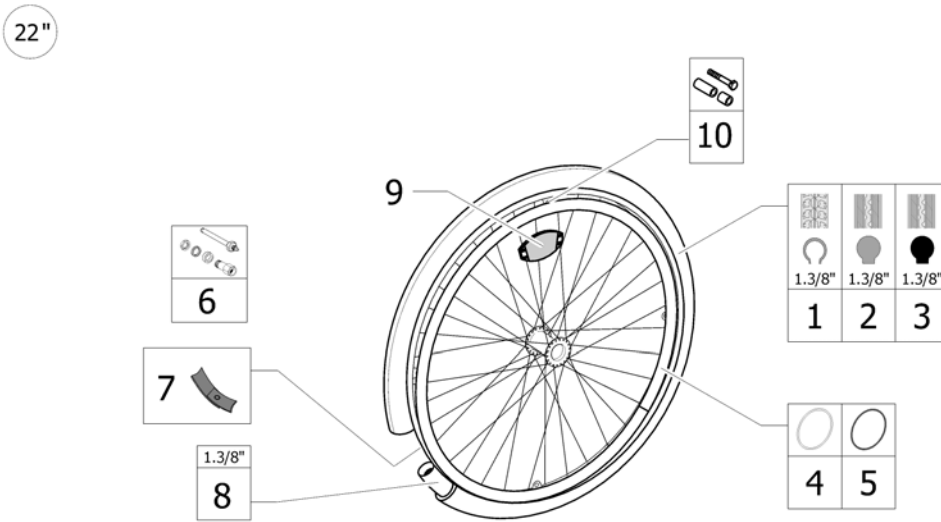
22"



ISPS1524462

Pos.	Part number	Description	Valid from → until	Qty
1	1505303	Pair 22" x 1.3/8" hub brake spoked + anodized handrim + pneumatic tyre + QR axle	2006-03-01 → 2007-02-28	1
2	1505304	Pair 22" x 1.3/8" hub brake spoked + anodized handrim + solid tyre + QR axle	2006-03-01 → 2007-02-28	1

22" Standard Wheels accessories

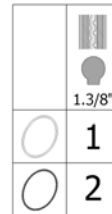
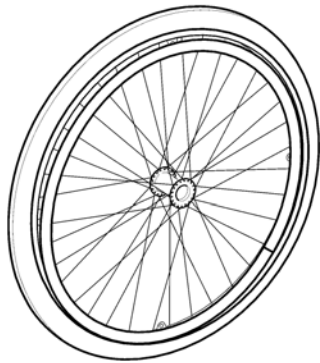


ISPS1524460

Pos.	Part number	Description	Valid from → until	Qty
1	0036-30035	Pneumatic tyre, 22" x 1.3/8", grey		2
2	0036-10014	Solid tyre, 22" x 1.3/8", grey		2
3	1533604	22" x 1" solid tyre black		2
4	1505299	Kit aluminium handrim 22", 4 fixations	2007-03-05 →	2
5	1505920	Kit anti-slip handrim 22", 4 fixations		1
6	1505288	QR axle with axle bearing Ø12	2007-03-01 →	2
7	5750029	Rim tape 22" <i>Replace 0036-40002</i>		2
8	0036-20007	Inner tube, 22" x 1.3/8"		2
9	N90003	Kit reflector for spoked wheel		2
10	1573626	Kit handrim fixation for spoked wheel, 4 pts		2

20" Standard Wheels

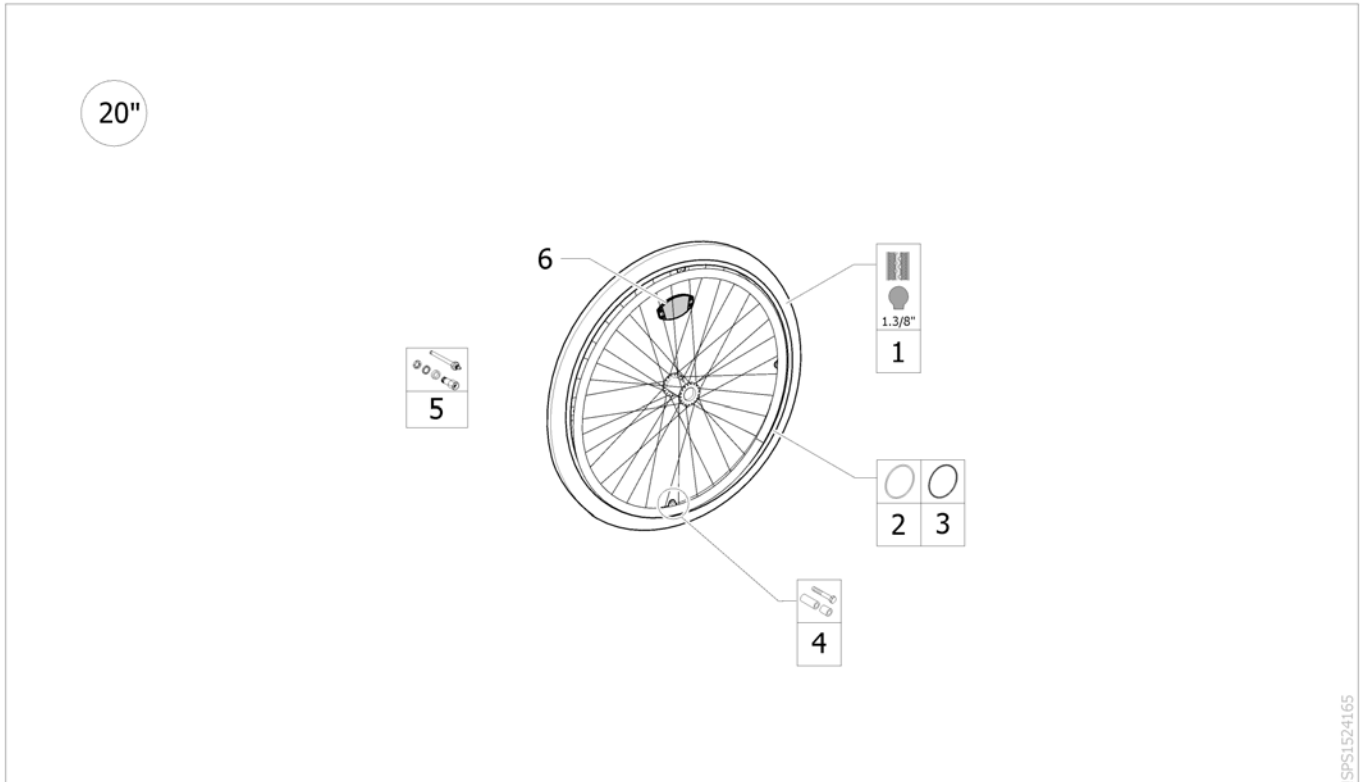
20"



!SPS1524164

Pos.	Part number	Description	Valid from → until	Qty
1	1445042	20" x 1.3/8" wheel,spoked,anodized handrim,solid tyre,		2
2	1557446	20" x 1.3/8" wheel,spoked,anti-slip handrim,solid tyre		2



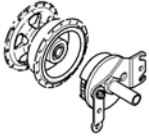


20" Standard Wheels accessories



ISPS1524165

Pos.	Part number	Description	Valid from → until	Qty
1	1TYR2002	20" x 1/4" solid tyre		2
2	1507241	20" Anodised Handrim		2
3	1557837	20" anti-slip handrim 4 fixations		1
4	1573626	Kit handrim fixation for spoked wheel, 4 pts		2
5	1505288	QR axle with axle bearing Ø12		2
6	N90003	Kit reflector for spoked wheel		2

Quick release axle dia 12 Action

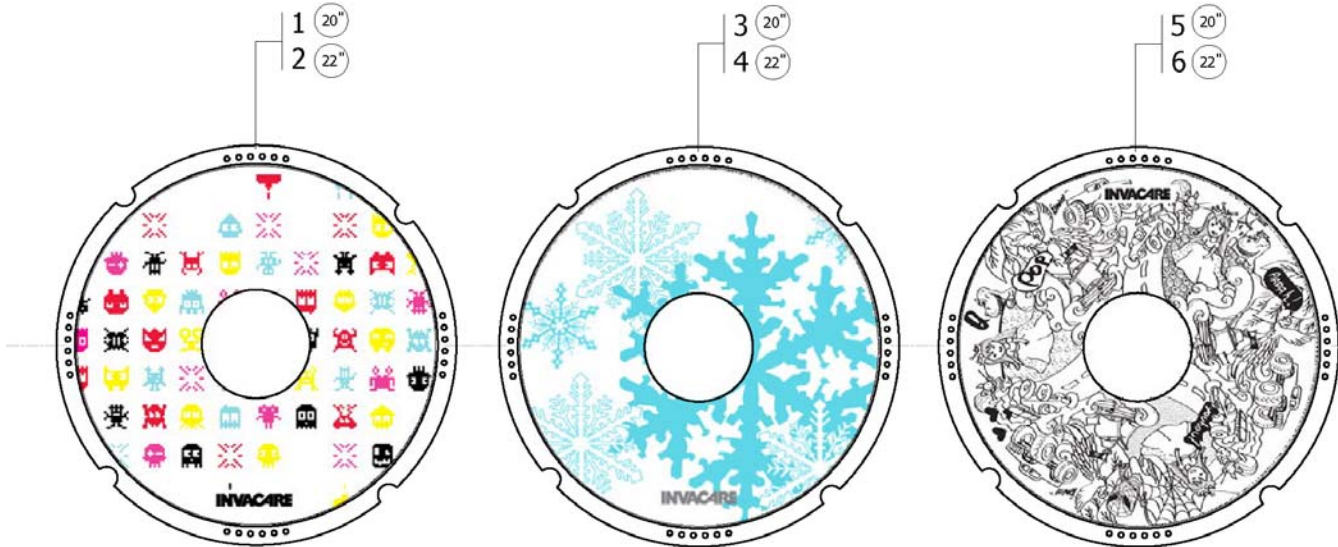
			
	03-2007 =>	01-2011 =>	
Action 1NG	2	4	
Action 1R	1		
Action 2NG	1	3	
Action 2 Basic	1		
Action 3NG	1	1	1
Action 3J	1	1	
Action 4NG	1	1	1
Esprit A3 J	1		
Variable +	1	1	

	1	2	3	4
---	---	---	---	---

ISPS1572689

Pos.	Part number	Description	Valid from → until	Qty
1	1498496	Quick release axle Ø12		2
2	1137209	Quick release axle Ø12		2
3	1485144	Quick release axle Ø12		2
4	SP1548383	Rear wheel axle QR for hub brake A1 NG		2

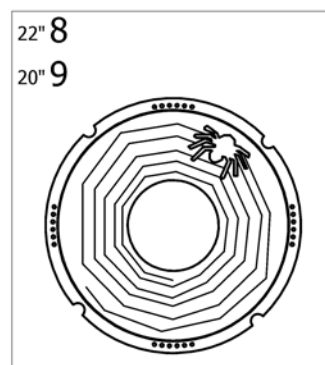
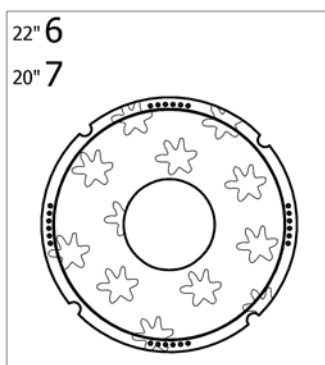
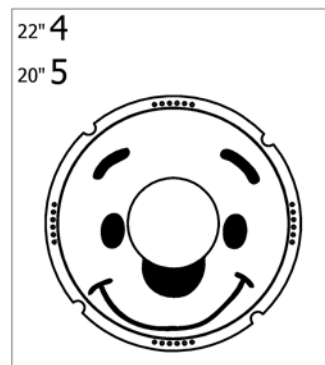
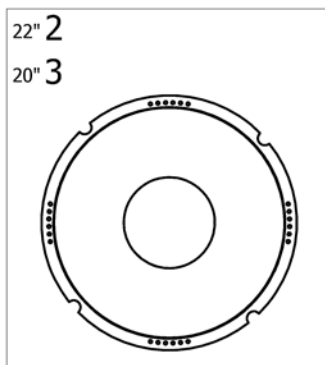
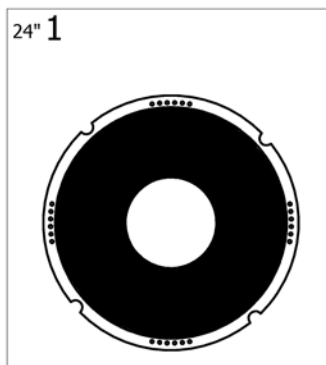
Spoke Guard Color



ISPS:1638697

Pos.	Part number	Description	Valid from → until	Qty
1	SP1637350	Spoke guard 20" Pixels (pair)		1
2	SP1637364	Spoke guard 22" Pixels (pair)		1
3	SP1637477	Spoke guard 20" Snowflakes (pair)		1
4	SP1637478	Spoke guard 22" Snowflakes (pair)		1
5	SP1637479	Spoke guard 20" Color me (pair)		1
6	SP1637480	Spoke guard 22" Color me (pair)		1

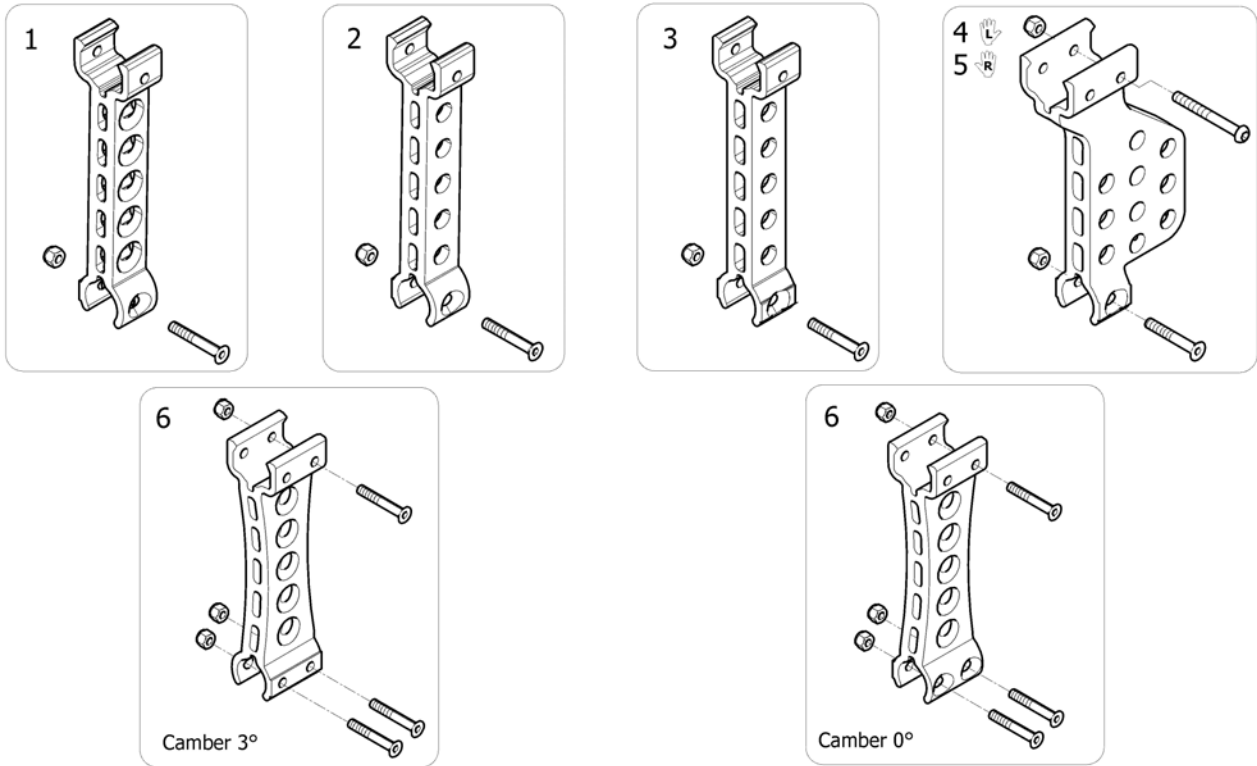
Spoke Guard



!SPS1497313 ~ sps1497313_jl

Pos.	Part number	Description	Valid from → until	Qty
1	0789-04400	Spoke guard 24" Black (pair) <i>[CE_1260]</i>		1
2	1556990	Spoke guard 22" Transparent (Pair)		1
3	1556989	Spoke guard 20" Transparent (Pair) <i>[CE_1261]</i>		1

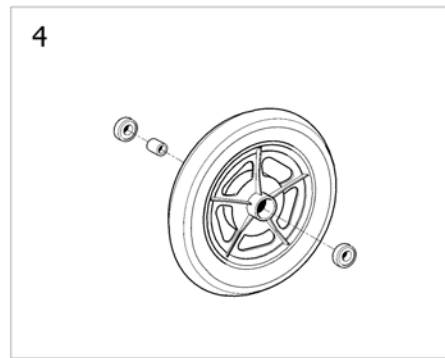
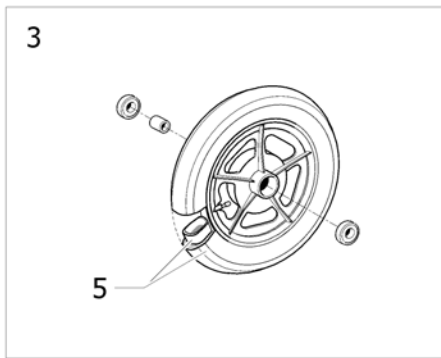
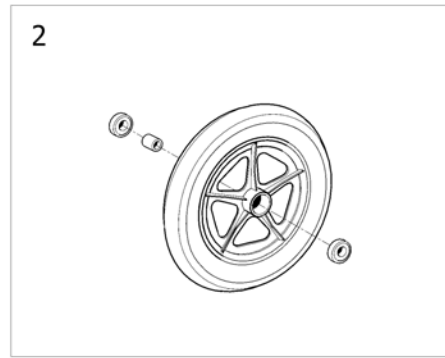
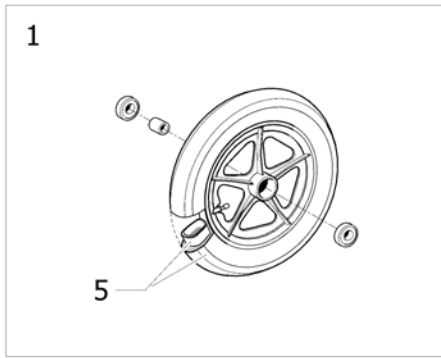
Rear Wheel Supports => 2017.09.17



ISPS1535354

Pos.	Part number	Description	Valid from → until	Qty
1	1534886	Rear wheel support for QR axle		2
2	1534887	Rear wheel support for fixed axle		2
3	1535334	Rear wheel support for transit		2
4	1564596	Transit left amputée rear wheel support		1
5	1564597	Transit right amputee rear wheel support		1
6	SP1605896	Support rear Wheel kit Action XT	2018-02-18 →	2

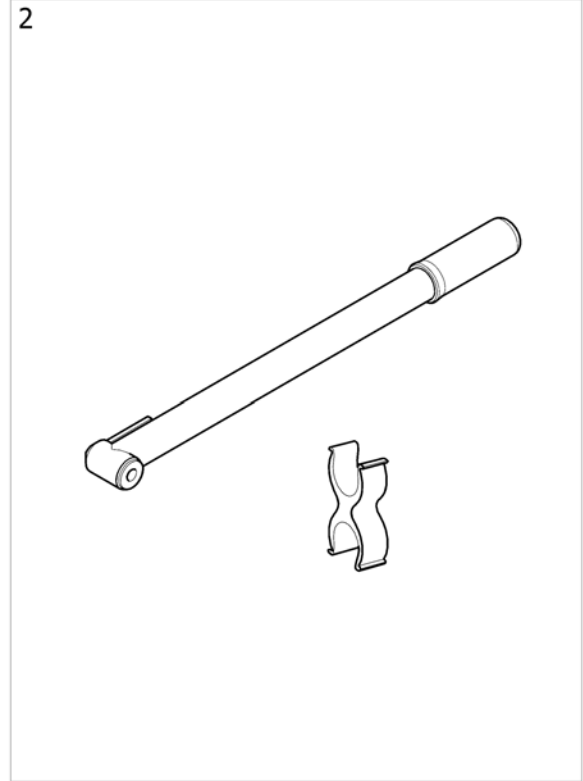
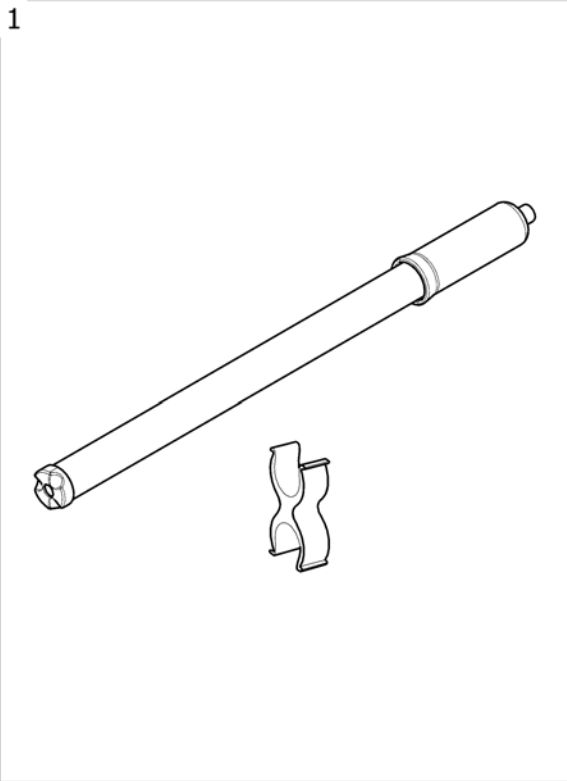
12" Rear Wheels



ISPS1535355

Pos.	Part number	Description	Valid from → until	Qty
1	SP1584368	12" Rear wheel transit, pneumatic <i>Replace 6001789</i>	2014-09-17 →	1
1	SP1584050	12" Rear wheel transit, pneumatic (pair)	→ 2014-09-16	1
2	1571005	12" rear wheel, composite, standard hub, solid tyre <i>Replace 1535037</i>	2014-08-18 →	2
2	1530448	12" rear wheel, composite, standard hub, solid tyre (pair)	2004-11-25 → 2014-08-17	1
3	SP1587822	12" rear wheel composite, hub brake pneu (unit) <i>Replace 0572-03002</i>	2015-02-19 →	2
3	SP1587823	12" rear wheel composite, hub brake pneu (pair) <i>Replace 0572-03002</i>	→ 2015-02-18	1
4	1571032	12" rear wheel, composite, hub brake, solid tyre <i>Replace 1557302</i>	2014-09-25 →	2
4	1557447	12" rear wheel, composite, hub brake, solid tyre (pair)	2012-01-01 → 2014-09-24	1
5	1431313	12" transit Pneumatic Tyre + Inner tube		2

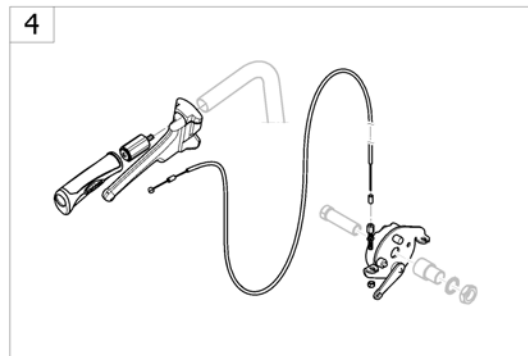
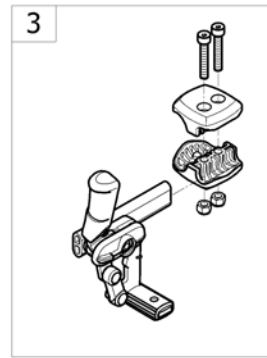
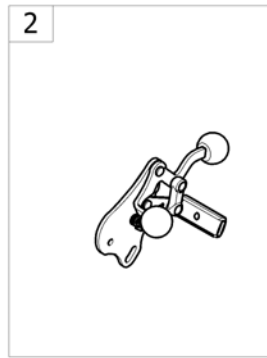
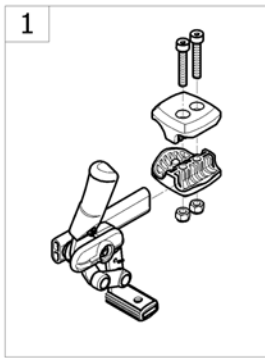
Pump



ISPS1496404

Pos.	Part number	Description	Valid from → until	Qty
1	1419910	Kit pump low pressure + support <i>[CE_1230] - Replace 1484715</i>		1
2	SP1605897	Kit pump - High Pressure + Support <i>[CE_1235]</i>		1

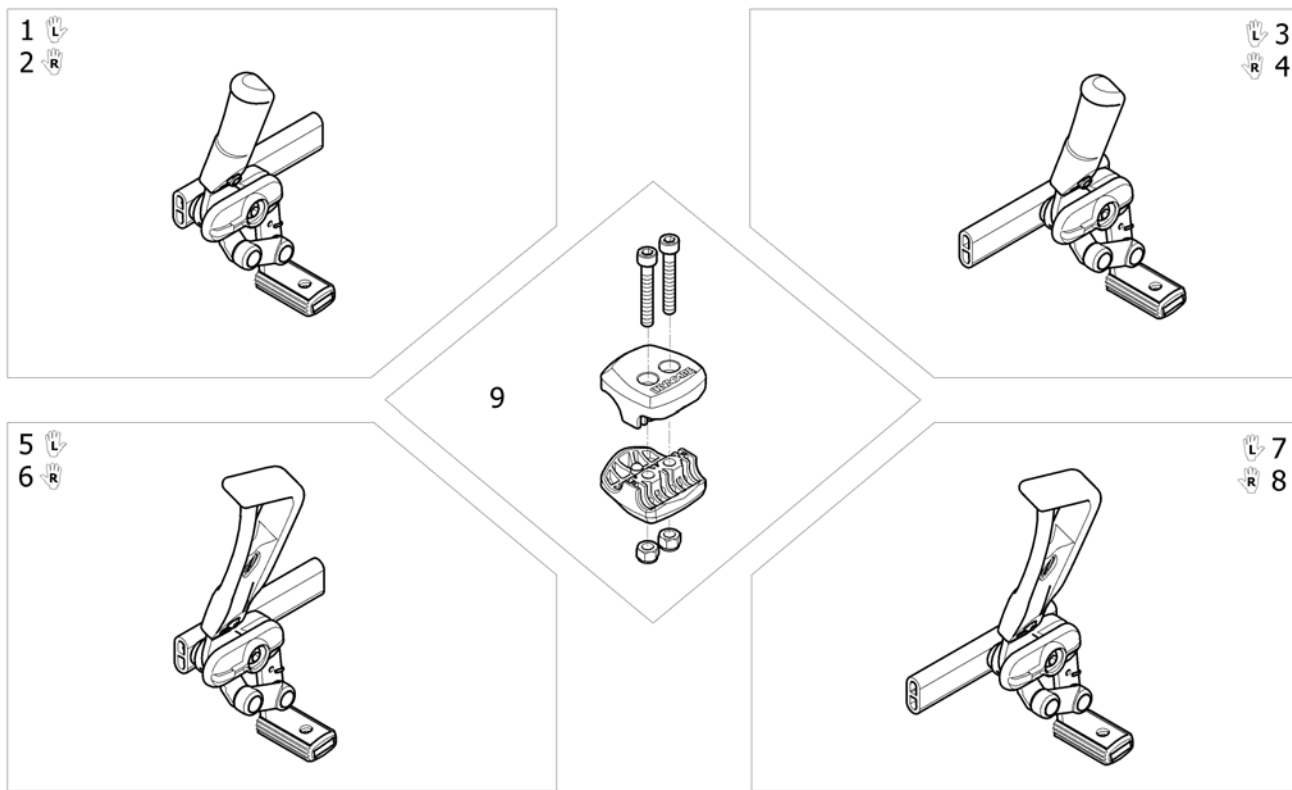
Brakes



-<SPCACTION3165

Pos.	Part number	Description	Valid from → until	Qty
1	-	Push Brakes Black: Standard And With Extension	2017-09-18 →	1
1	-	Push brake Black Transit Amputé	2017-09-18 →	1
2	-	Pull brakes : Standard And With Extension		1
3	-	Attendant Hub Brake		1

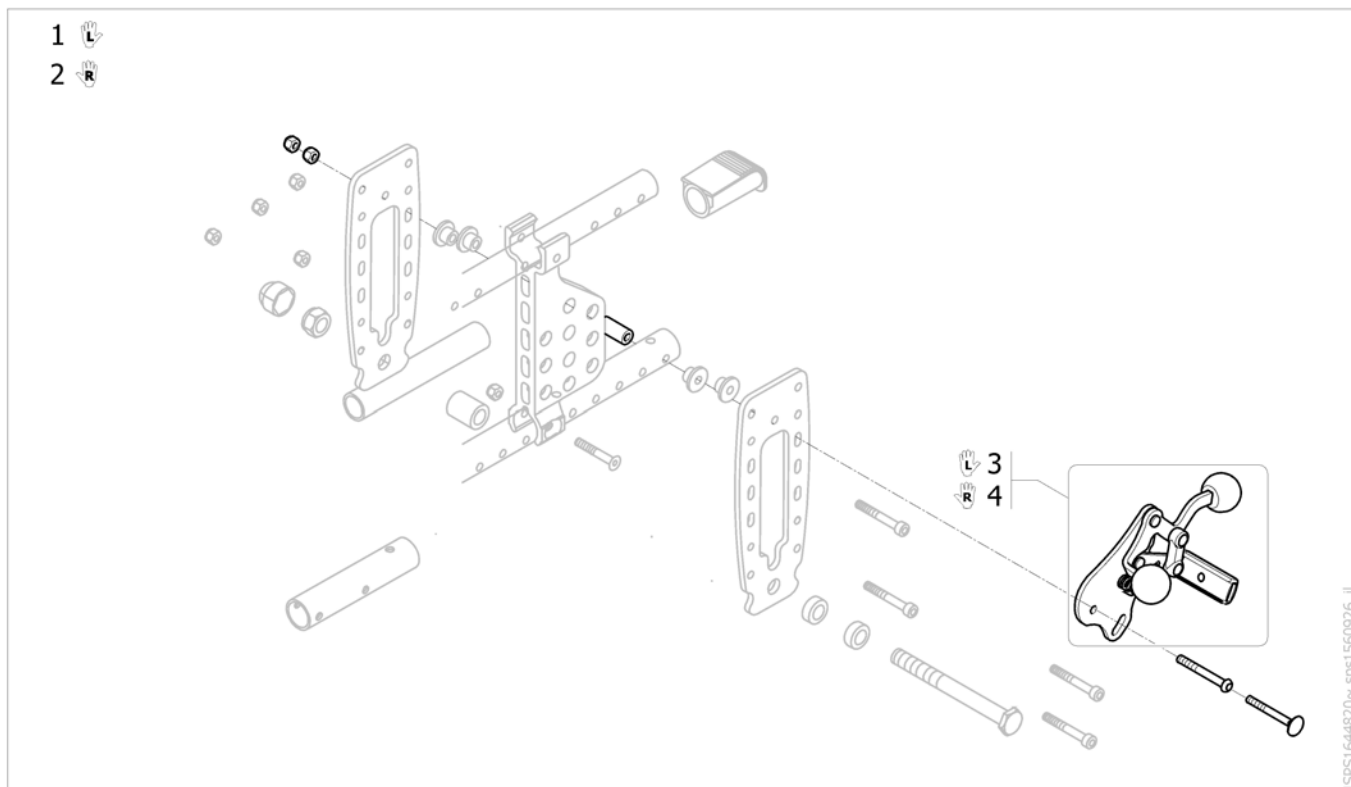
Push Brakes Black: Standard And With Extension



ISPS1644818 ~ 1575102_II

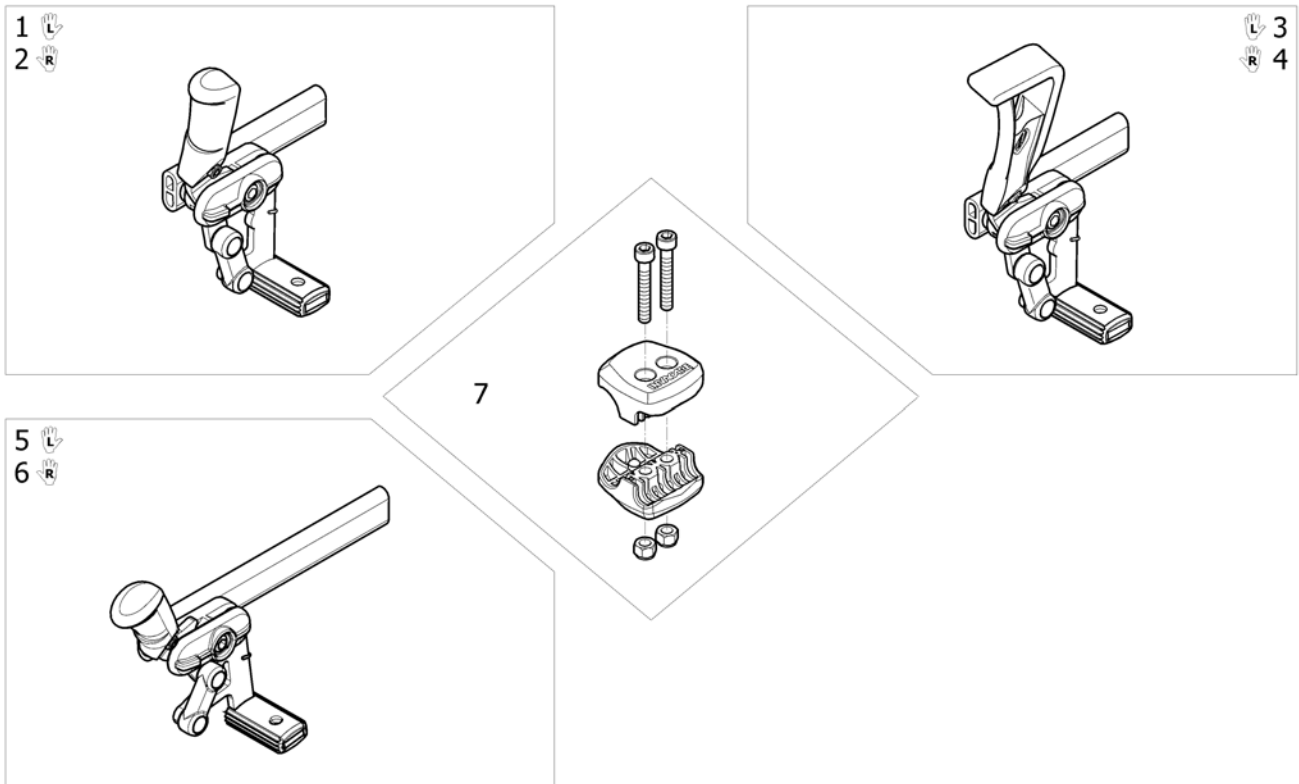
Pos.	Part number	Description	Valid from → until	Qty
1	SP1639529	Lh Complet Push Brake Black Standard	2017-09-07 →	1
2	SP1639530	Rh Complet Push Brake Black Standard	2017-09-07 →	1
3	SP1639533	Lh Complet Reverse Push to look Brake with Black Standard	2017-08-28 →	1
4	SP1639534	Rh Complet Reverse Push to look Brake with Black Standard	2017-08-28 →	1
5	SP1639527	Lh Complet Push Brake Black With Lever Extension	2017-08-28 →	1
6	SP1639528	Rh Complet Push Brake Black With Lever Extension	2017-08-28 →	1
7	SP1639531	Lh Complet Reverse Push to look Brake with lever extension	2017-09-18 →	1
8	SP1639532	Rh Complet Reverse Push to look Brake with lever extension	2017-09-18 →	1
9	1575102	Kit brake composite clamp black		2
9	0572-05715	Kit brake support Alu anodisé incolore		2

Push brake Black Transit Amputé



Pos.	Part number	Description	Valid from → until	Qty
1	SP1644961	Lh Complet Transit Push Brake Black	2017-09-18 →	1
2	SP1644962	Rh Complet Transit Push Brake Black	2017-09-18 →	1
3	SP1639865	Lh Transit Push Brake	2017-09-18 →	1
4	SP1639866	Rh Transit Push Brake	2017-09-18 →	1

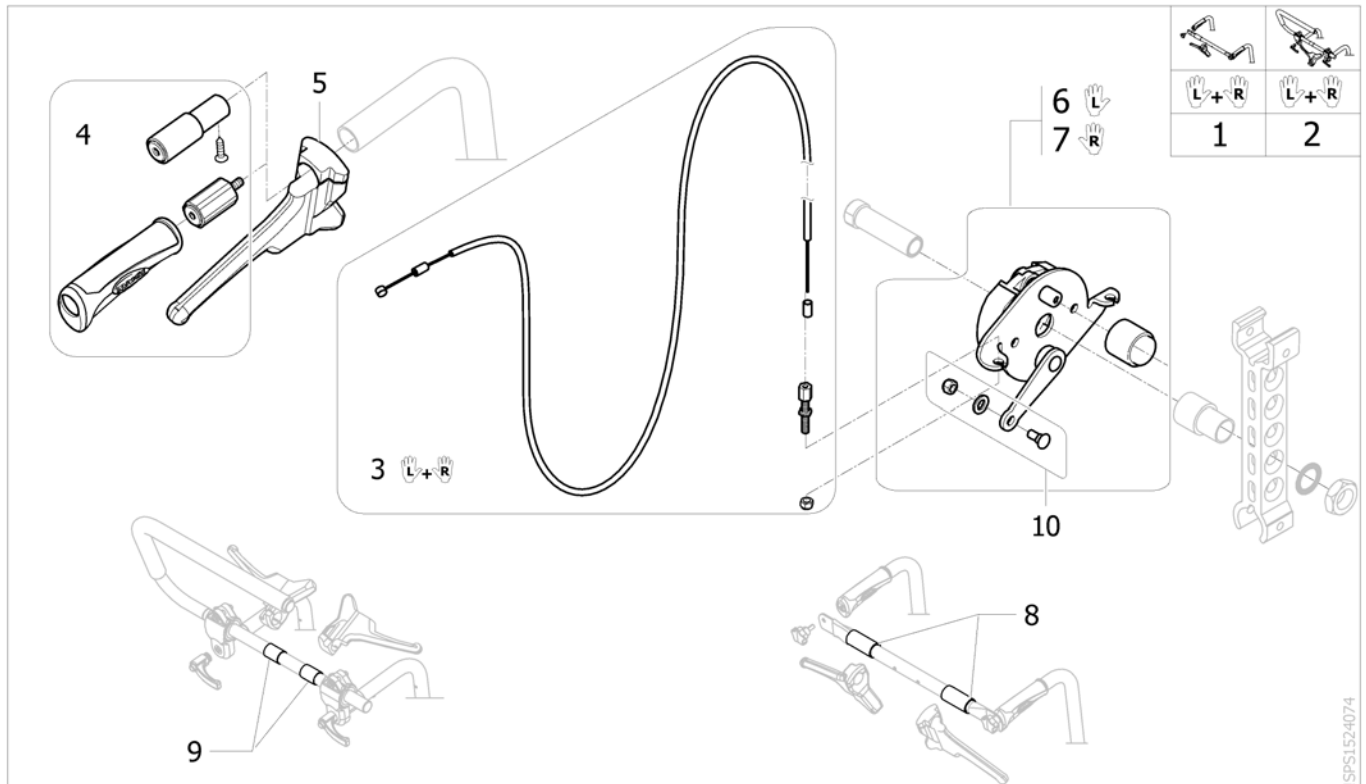
Pull brakes : Standard And With Extension



ISPS1562519

Pos.	Part number	Description	Valid from → until	Qty
1	SP1639543	Lh Pull brake standard Black <i>Replace 1538078</i>	2017-09-18 →	1
2	SP1639703	Rh Pull brake standard Black <i>Replace 1538079</i>	2017-09-18 →	1
3	SP1639754	Lh Pull Reverse to look Brake with Black Extension <i>Replace 1541956</i>	2017-09-18 →	1
4	SP1639864	Rh Pull Reverse to look Brake with Black Extension <i>Replace 1541957</i>	2017-09-18 →	1
5	SP1559151	Left pull brake long support		1
6	SP1559150	Right pull brake long support		1
7	1575102	Kit brake composite clamp black <i>Replace 1423107</i>		2

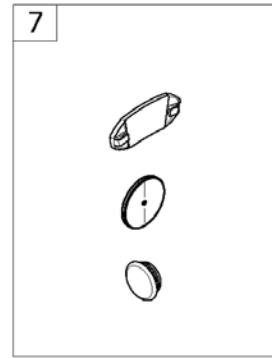
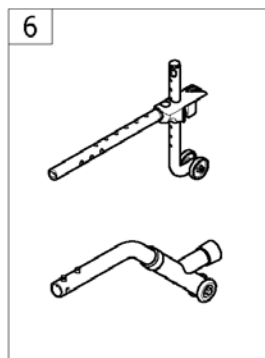
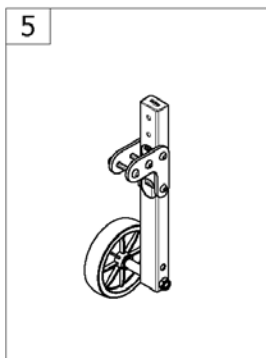
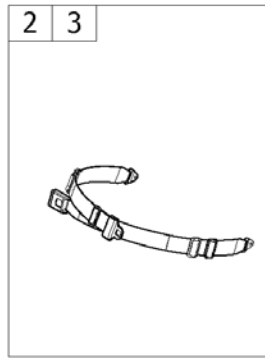
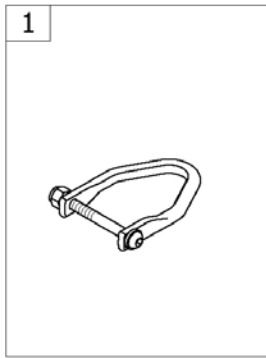
Attendant Hub Brake



ISPS1524074

Pos.	Part number	Description	Valid from → until	Qty
1	1524075	Kit attendant hub brake (w/o wheel or axle) for use with backbrace (pair)		1
2	1524076	Kit attendant hub brake (w/o wheel or axle) for use with push bar (pair)		1
3	1564821	Complete cable for attendant hub brake (pair)		1
4	1430412	Back brace insert for fixed backrest tube		2
5	1420527	Black Brake Lever dia 22mm		2
6	1567413	LH Hub brake plate kit		1
7	1567414	RH Hub brake plate kit		1
8	1434626	Backbrace Handle		2
9	5221363	Fixed Backrest Hub Brake Adaptation		2
10	M30071	Cable Clamp Bolt c/wNut& Wash		2

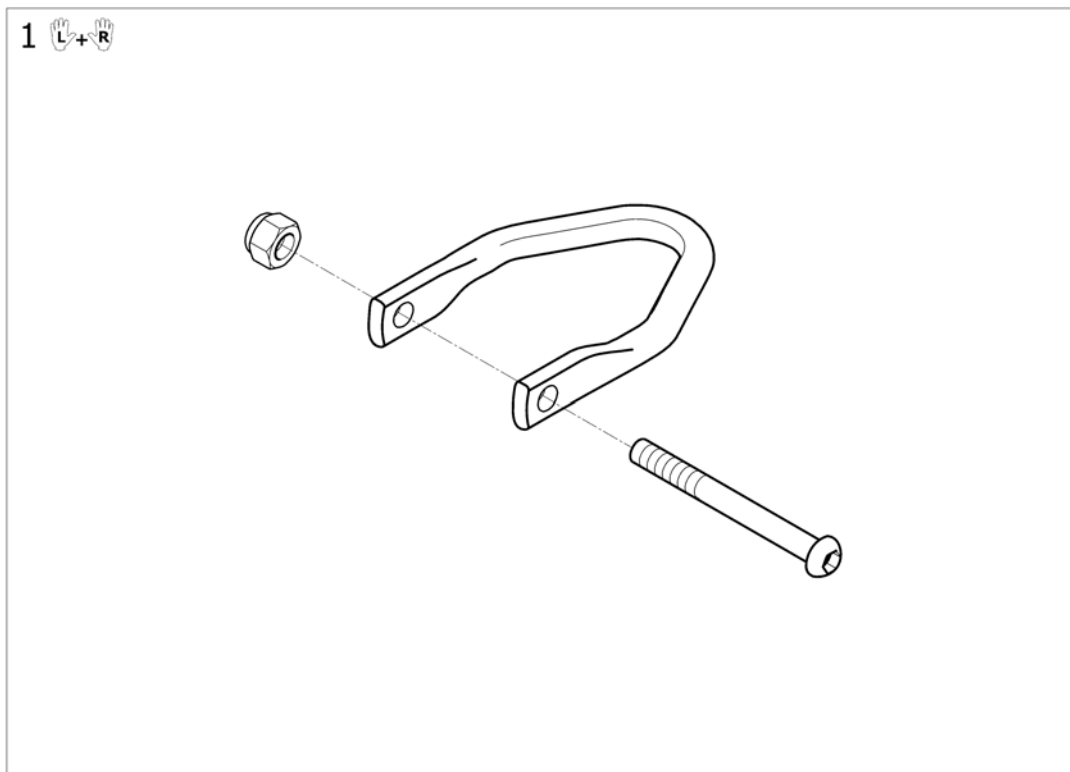
Safety Options



-<SPCACTION3390

Pos.	Part number	Description	Valid from → until	Qty
1	-	Transportation attachment kit		1
2	-	Belts		1
3	-	Buckled belt junior UK		1
4	-	Pediatric belts		1
5	-	Transfer Kit		1
6	-	Tipping Rear Anti Tipper		1
7	-	Reflectors		1

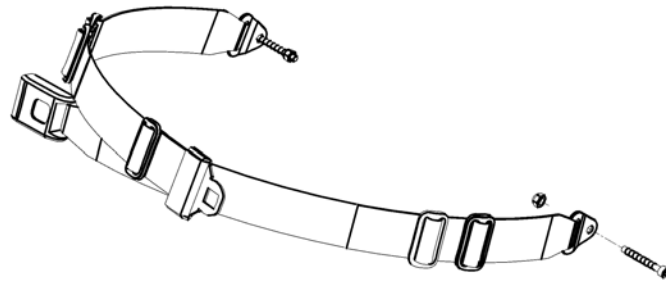
Transportation attachment kit



Pos.	Part number	Description	Valid from → until	Qty
1	1560720	Kit transportation (pair)		1

Belts

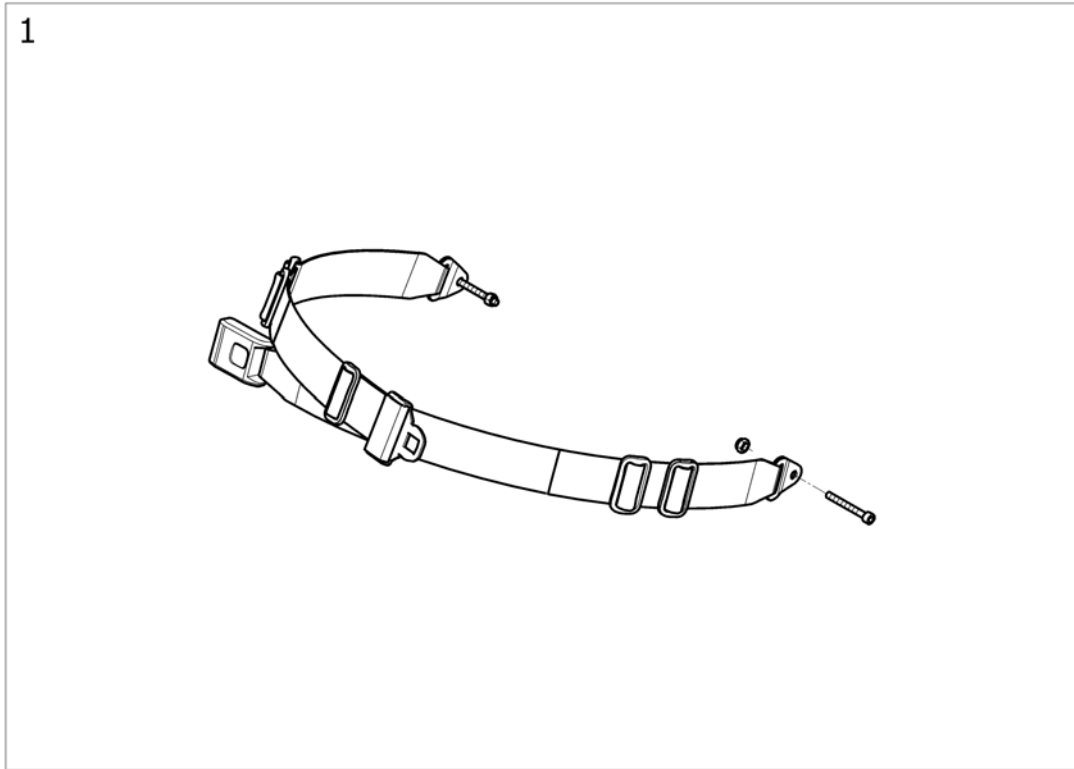
	Esprit Action 4NG	Action 3NG Action 2000 Variable +	Action 4NG	Action A3J	Action 2NG
SW205	-	-	-	1	-
SW255	-	-	-	1	-
SW280	-	-	-	1	-
SW305	1	-	-	1	-
SW330	1	-	-	1	-
SW355	1	-	-	1	-
SW380	1	1	1	1	3
SW405	1	1	1	-	3
SW430	1	1	1	-	3
SW455	1	1	1	-	3
SW480	2	2	2	-	2
SW505	2	2	2	-	-
SW555	2	-	2	-	-
SW605	2	-	2	-	-



ISPS1497376

Pos.	Part number	Description	Valid from → until	Qty
1	0572-05389	Safety lap belt metal buckle SW205/455 mm		1
2	1492755	Kit safety lap belt metal buckle HD SW480/605 mm		1
3	1531657	Kit safety lap belt metal buckle SW380/455 mm (Action2NG)		1

Buckled belt junior UK



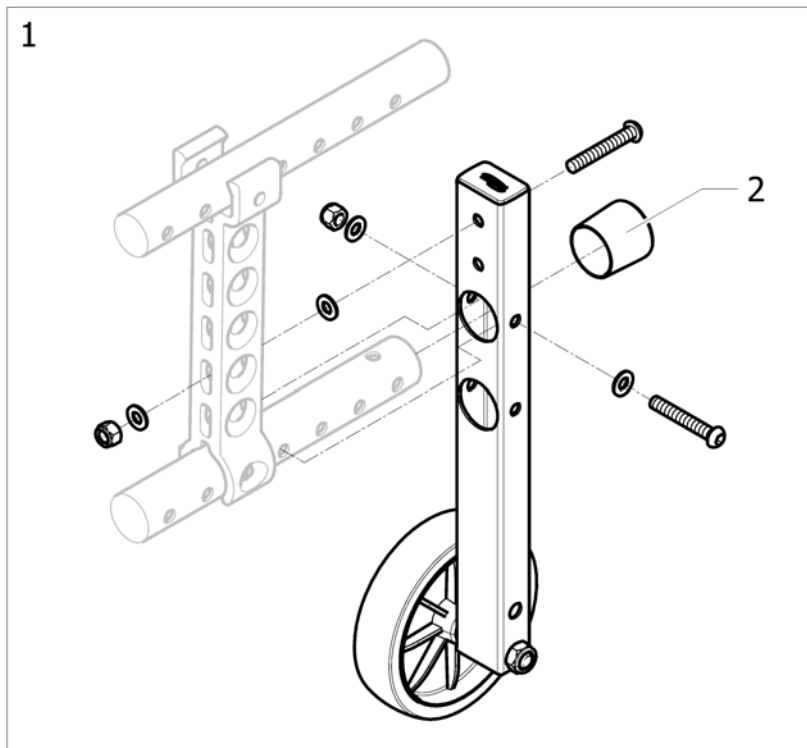
Pos.	Part number	Description	Valid from → until	Qty
1	1557311	Belt A3 Junior (UK)		1

Pediatric belts



Pos.	Part number	Description	Valid from → until	Qty
1	1525293	Padded Dual Pull Tight Belt Pediatric Plastic B		1

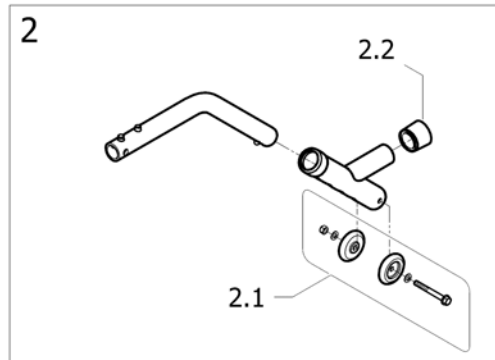
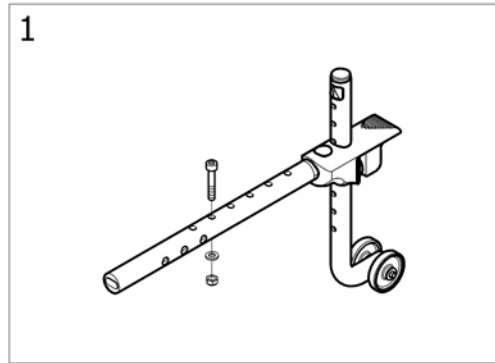
Transfer Kit



15751-69500

Pos.	Part number	Description	Valid from → until	Qty
1	1492139	Pair of anti-barrier wheels kit		1
2	0021N05386	Frame cap black 1		2

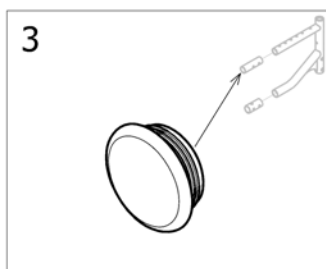
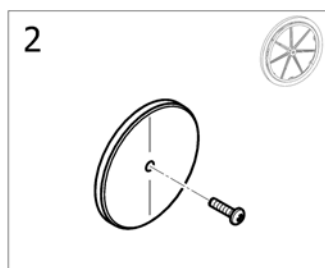
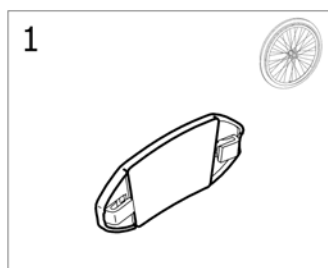
Tipping Rear Anti Tipper



ISPS1514257 ~ sps15148725_01

Pos.	Part number	Description	Valid from → until	Qty
1	1484890	Anti-tippers A3/A4 types (one side only)		2
2	1513251	Tipping & Rear Anti Tipper Tube A3 Junior		1
2.1	1548802	Kit wheels + attachment anti-tippers		1
2.2	0021N05386	Frame cap black 1		1

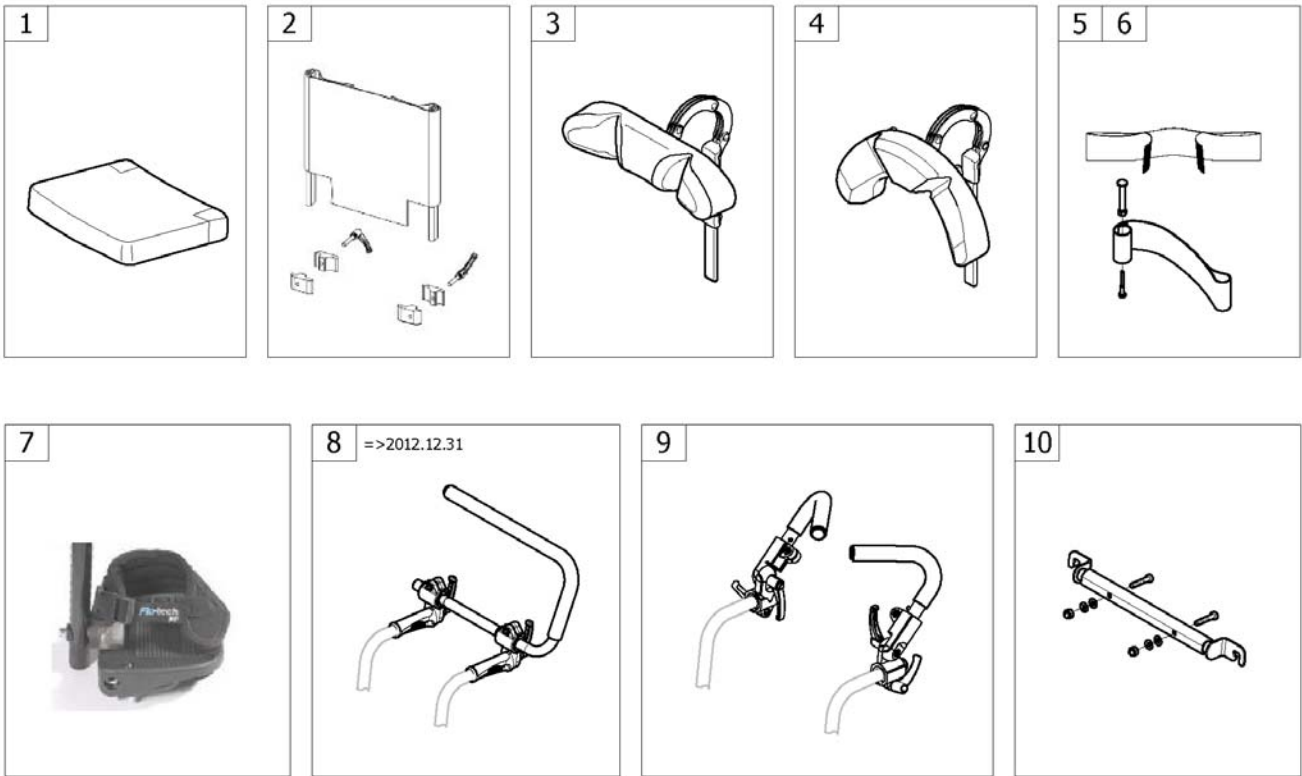
Reflectors



!SPS1495928

Pos.	Part number	Description	Valid from → until	Qty
1	N90003	Kit reflector for spoked wheel		2
2	9037-30001	Kit reflector for composite wheel		2
3	1545553	End tube Ø22 reflector red		2

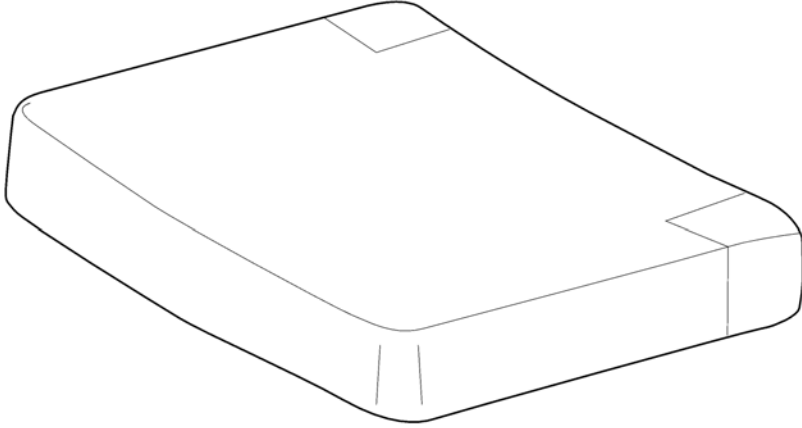
Seating Options



Pos.	Part number	Description	Valid from → until	Qty
1	-	Essential Junior Cushion [CN_0851]		1
2	-	Backrest extension [CN_0855]		1
3	-	Headrest [CN_0860]		1
4	-	Cheek support [CN_0865]		1
5	-	Calfs strap [CN_0880]		1
6	-	Heels strap [CN_0870]		1
7	-	Ankle grips [CN_0882/CN_0883/CN_0884/CN_0885]		1
8	-	Push Bar =>2012-12-31		1
9	-	Stroller push handles [CN_1426]		1
10	-	Back Brace [CN_0402/CN_0902]		1

Essential Junior Cushion

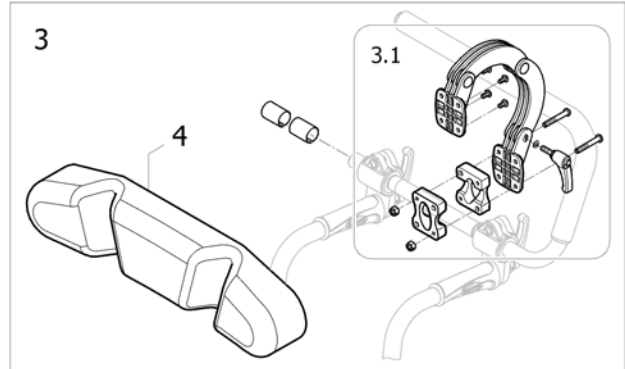
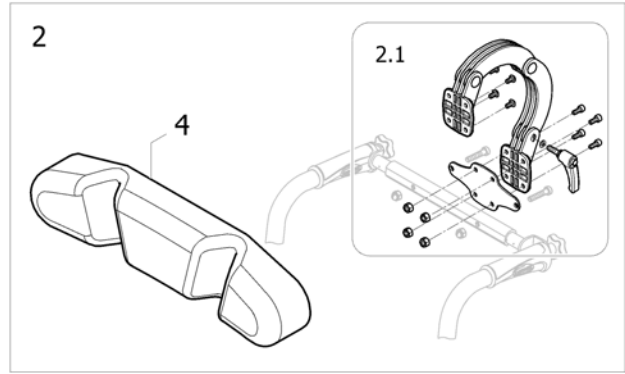
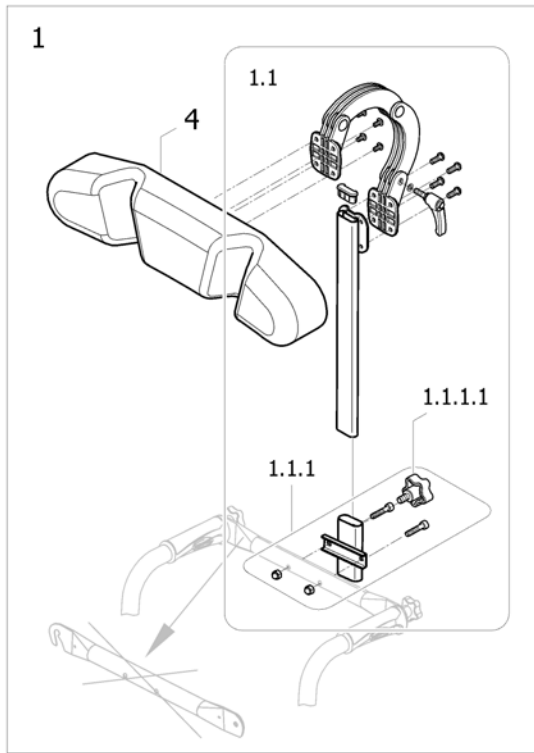
	Action 3 Junior			
	SD200 SD250	SD250 SD300	SD275 SD325	SD325 SD375
SW205	1	2	-	-
SW230	3	4	-	-
SW255	5	6	-	-
SW280	7	8	-	-
SW305	-	-	9	10
SW330	-	-	11	12
SW355	-	-	13	14
SW380	-	-	15	16



ISPS1514258

Pos.	Part number	Description	Valid from → until	Qty
1	1500963	Essential Junior cushion (A) SW205 x SD200/250 mm		1
2	1500964	Essential Junior cushion (A) SW205 x SD250/300 mm		1
3	1500965	Essential Junior cushion (C) SW230 x SD200/250 mm		1
4	1500966	Essential Junior cushion (D) SW230 x SD250/300 mm		1
5	1500967	Essential Junior cushion (E) SW255 x SD200/250 mm		1
6	1500968	Essential Junior cushion (F) SW255 x SD250/300 mm		1
7	1500969	Essential Junior cushion (G) SW280 x SD200/250 mm		1
8	1500970	Essential Junior cushion (H) SW280 x SD 250/300 mm		1
9	1500971	Essential Junior cushion (I), SW305 x SD275/325 mm		1
10	1500972	Essential Junior cushion (J) SW305 x SD325/375 mm		1
11	1500973	Essential Junior cushion (K), SW330 x SD275/325 mm		1
12	1500974	Essential Junior cushion (L) SW330 x SD325/375 mm		1
13	1500975	Essential Junior cushion (M), SW355 x SD275/325 mm		1
14	1500976	Essential Junior cushion (N) SW355 x SD325/375 mm		1
15	1500977	Essential Junior cushion (O), SW380 x SD275/325 mm		1
16	1500978	Essential Junior cushion (P) SW380 x SD325/375 mm		1

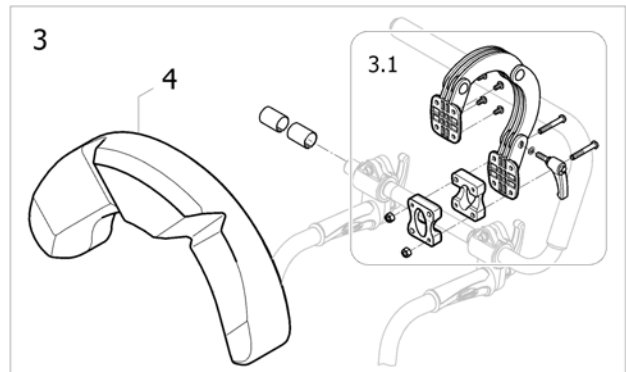
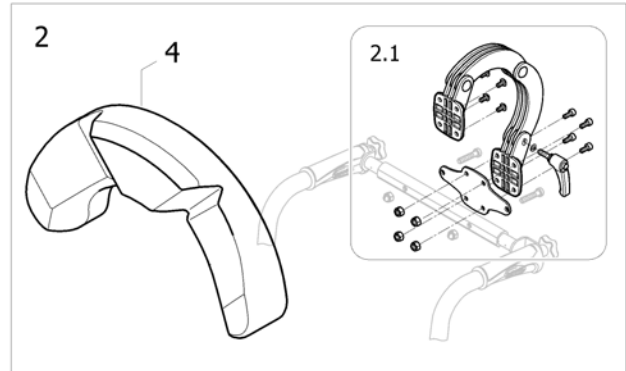
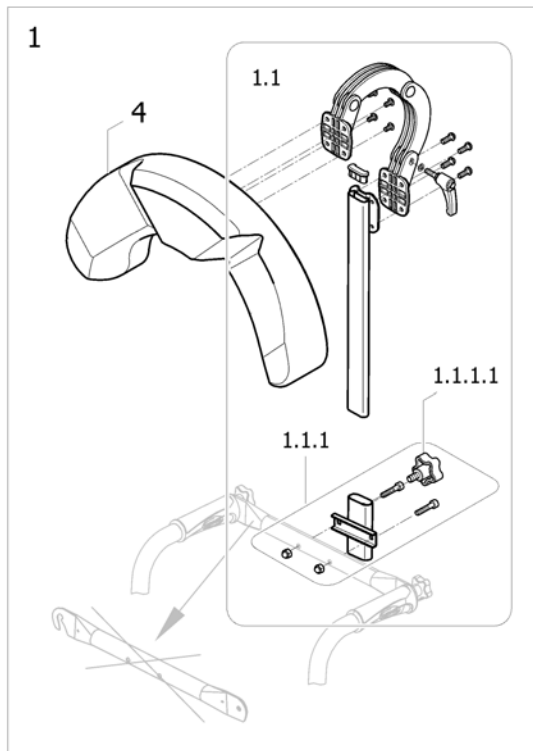
Headrest



ISPS1558373 ~ sps1497291_II

Pos.	Part number	Description	Valid from → until	Qty
1	1554246	Headrest Action3 Junior complete for back brace fix (V2011) <i>Back brace fix Obsolete</i>	→ 2014-03-29	1
1.1	1557087	Kit articulation Action3 Junior complete (V2011)	→ 2014-03-29	1
1.1.1	1554616	Kit headrest support (bracket+screw+bolt+button screw M8) Action NG	→ 2014-03-29	1
1.1.1.1	0021-60026	Button screw 40 mm M8x16	→ 2014-03-29	1
2	1556995	Headrest A3J + bracket for adjustable back brace		1
2.1	1557086	Kit articulation A3J complete + backbrace bracket		1
3	1492010	Headrest Action3 Junior Complete for push bar		1
3.1	1478706	Kit articulation Action3 Junior Complete		1
4	5108002	Headrest Cushion Black Wheeler A3Junior		1

Cheek support

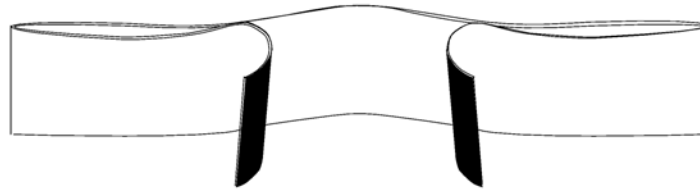


ISPS1558374 - sps1497291_11

Pos.	Part number	Description	Valid from → until	Qty
1	1554303	Cheek support Action3 Junior complete for fix back brace (V2011) <i>Back brace fix Obsolete</i>	→ 2014-03-29	1
1.1	1557087	Kit articulation Action3 Junior complete (V2011)	→ 2014-03-29	1
1.1.1	1554616	Kit headrest support (bracket+screw+bolt+button screw M8) Action NG	→ 2014-03-29	1
1.1.1.1	0021-60026	Button screw 40 mm M8x16	→ 2014-03-29	1
2	1556996	Headrest A3J + bracket for adjustable back brace		1
2.1	1557086	Kit articulation A3J complete + backbrace bracket		1
3	1513245	Cheek support Action3 Junior complete for push bar		1
3.1	1478706	Kit articulation Action3 Junior Complete		1
4	5108473	Neckrest Cushion Black Wheeler A3 Junior		1

Calfs strap

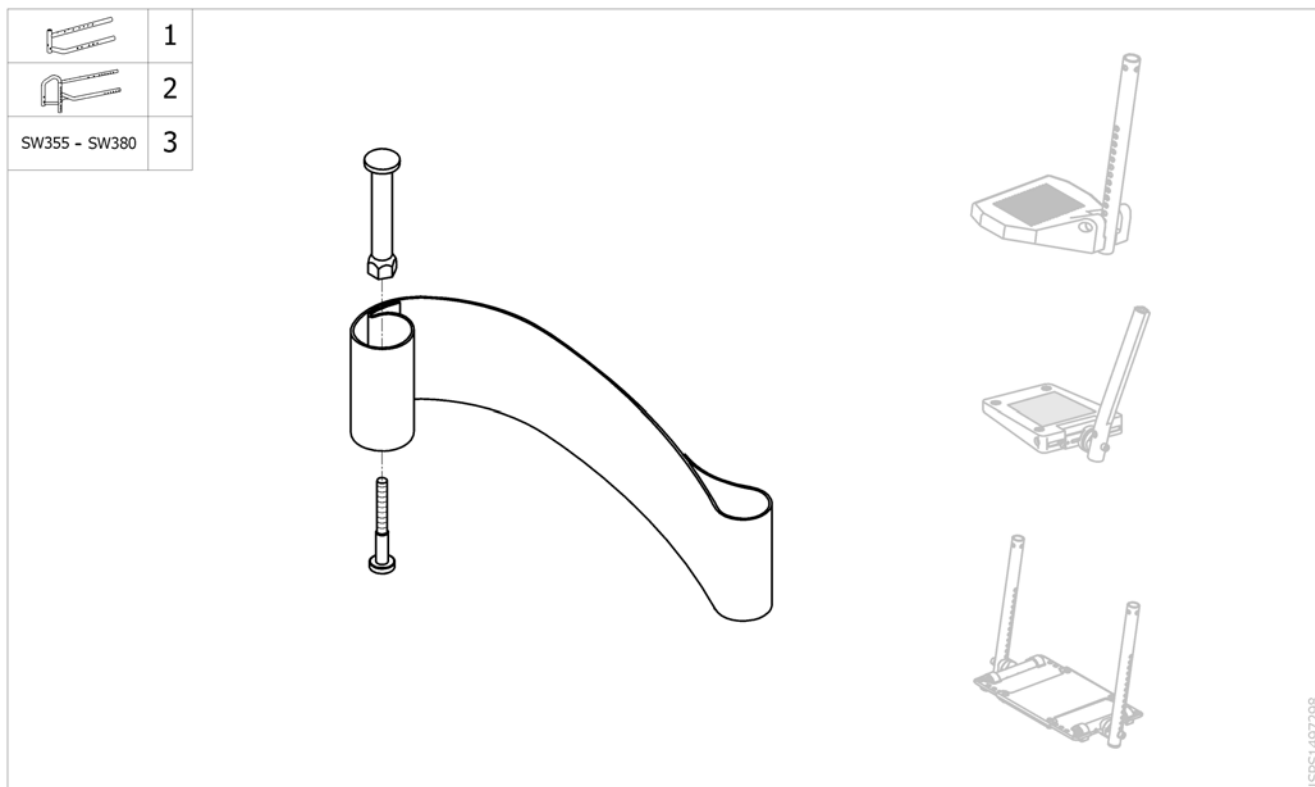
SW205-SW280	1
SW305-SW410	2



ISPS1567863

Pos.	Part number	Description	Valid from → until	Qty
1	1513301	Adjustable calf strap small SW205 to SW280mm		1
2	0572-05794	Calf strap adjustable, small, SW305-405mm		1

Heels strap



Pos.	Part number	Description	Valid from → until	Qty
1	0587-05201	Kit heelstrap, adjustable, small <i>Replace 1478467</i>		2
3	1562502	Adjustable heel strap for one piece footplate SW 355/380 Action3J		1

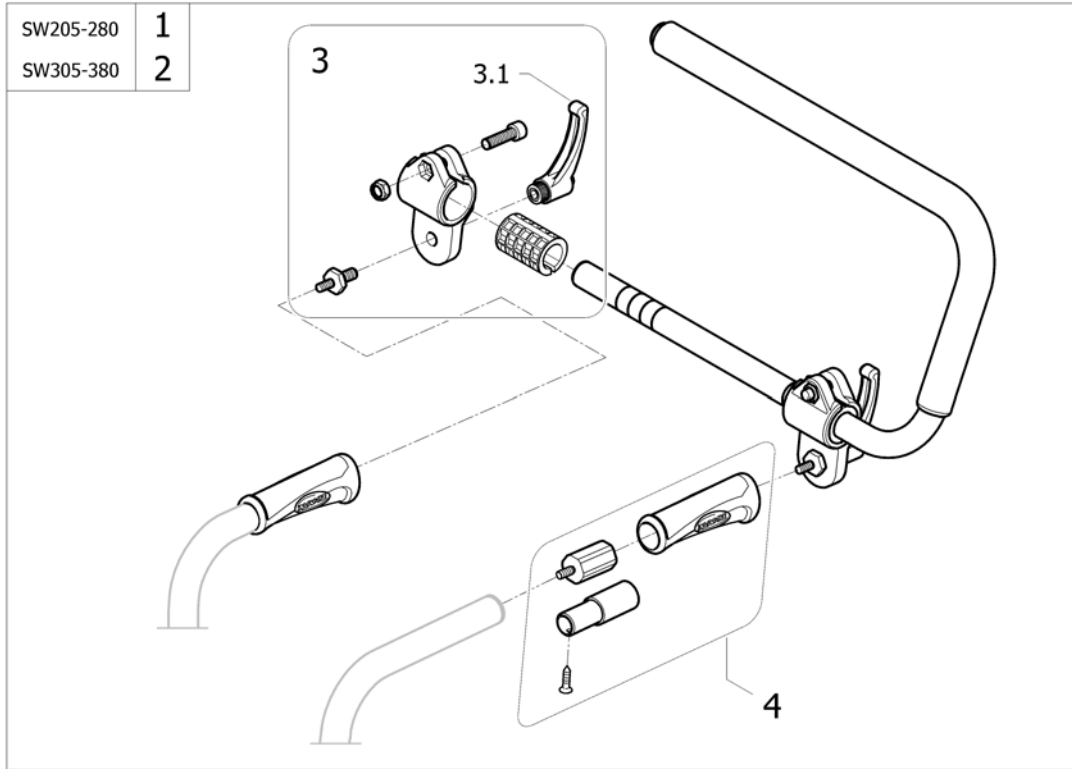
Ankle grips



ISPS:1558720

Pos.	Part number	Description	Valid from → until	Qty
1	1557039	Ankle grips XS, 155-200mm, with bracket (pair)		1
2	1557040	Ankle grips S, 160-215mm, with bracket (pair)		1
3	1559149	Ankle grips M, 175-230mm, with bracket (pair)		1
4	1525298	Ankle grips XS (pair)		1
5	1525299	Ankle grips S (pair)		1
6	1525300	Ankle grips M (pair)		1
7	1557038	Kit plate support ankle grips (pair)		1

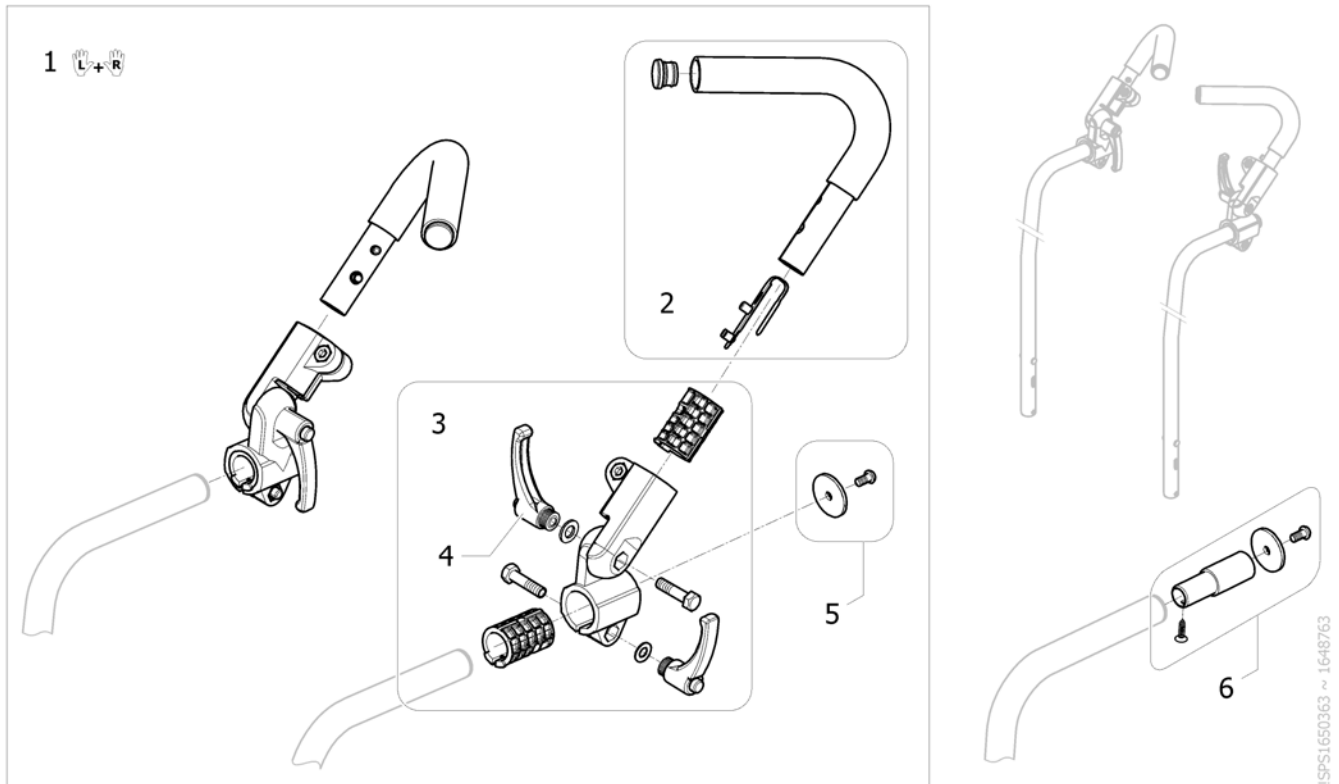
Push Bar =>2012-12-31



!SPS1497312 ~ sps1497312_II

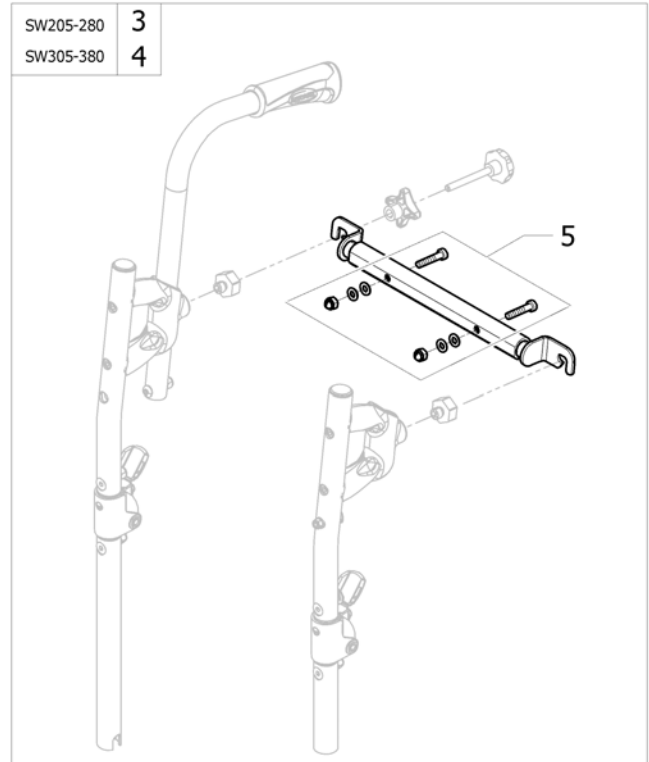
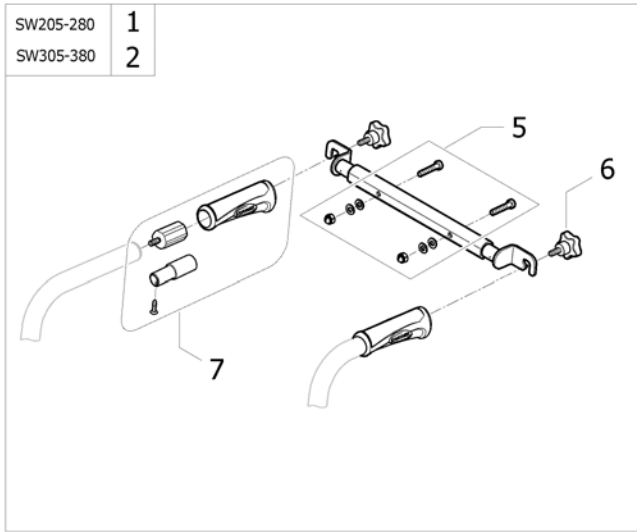
Pos.	Part number	Description	Valid from → until	Qty
1	1513242	Push Bar Kit Assy Action3Junior SW205-280 mm	→ 2012-12-31	1
2	1513243	Push Bar Kit Assy Action3Junior SW305-380 mm	→ 2012-12-31	1
3	1545636	Kit hardware for pushbar	→ 2012-12-31	2

Stroller push handles



Pos.	Part number	Description	Valid from → until	Qty
1	SP1648763	Stroller push handles (pair) <i>Replace 1557041</i>	2018-02-14 →	1
2	1557062	Kit push bar + PVC sheathing		2
3	SP1648764	Kit swivelling coupling thooted + Indexable lever <i>Replace 1557061</i>	2018-02-14 →	2
4	0021-70011	Indexable lever 63 mm M8		4
5	SP1650362	Kit, fixing stroller push handle for backcane fixed & height adjustable	2018-02-14 →	2
6	SP1650361	Kit, fixing stroller push handle for backcane recliner & PMH	2018-02-14 →	2

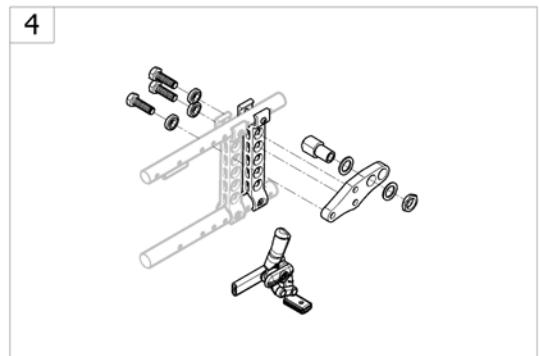
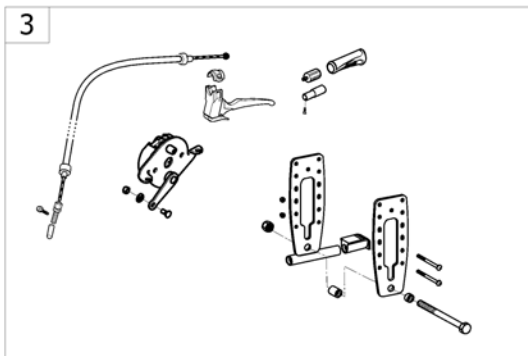
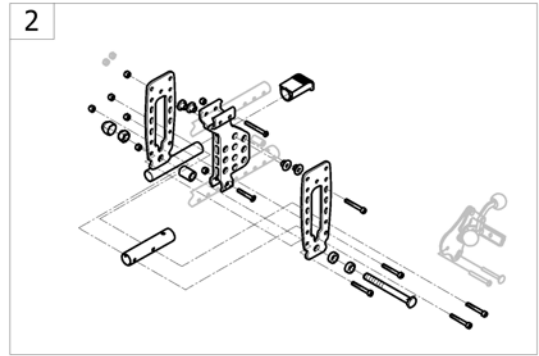
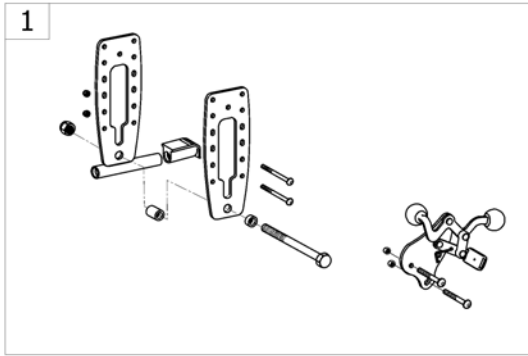
Back Brace



ISPS1558421 ~ sps1497312_11 ~ sps1567484_11

Pos.	Part number	Description	Valid from → until	Qty
1	1558422	Telescopic back brace kit cpl SW205-280 mm		1
2	1558485	Telescopic back brace kit cpl SW305-380 mm		1
3	1567537	Telescopic back brace SW205-280 mm for PMH A3J		1
4	1567538	Telescopic back brace SW305-380 mm for PMH A3J		1
5	1562249	Kit fixation for telescopic backbrace		1
6	0021-60029	Button Ø32 mm M6x16		2
7	1430412	Back brace insert for fixed backrest tube		2

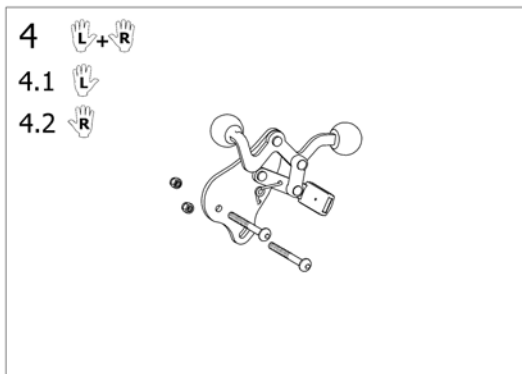
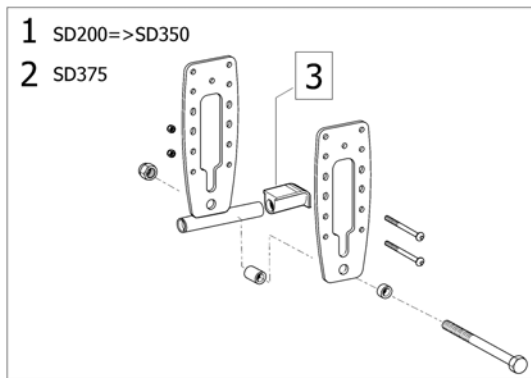
Propulsion Options



-<SPCACTION3196

Pos.	Part number	Description	Valid from → until	Qty
1	-	Transit rear wheel support Manual brake		1
2	-	Support transit amputee		1
3	-	Transit rear wheel support Hub brake		1
4	-	Dual Amputee Black Position		1

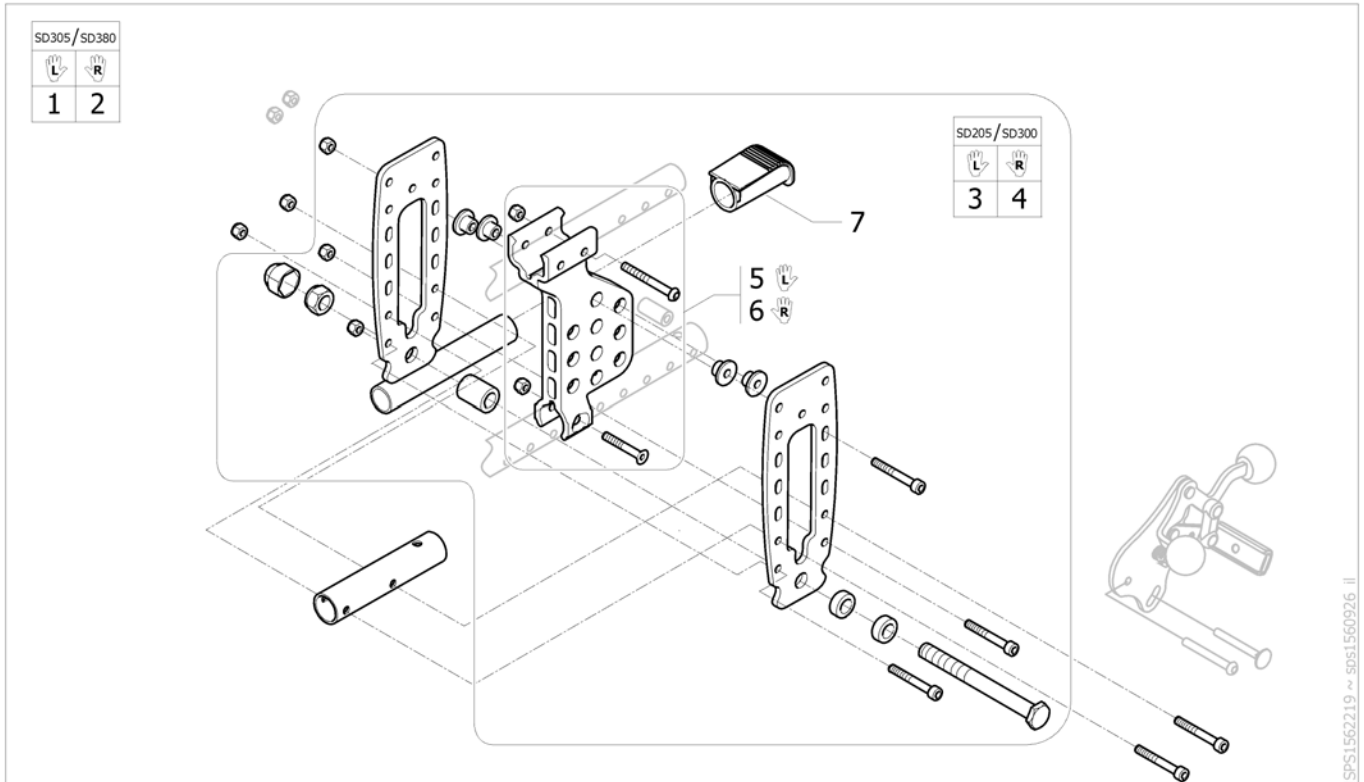
Transit rear wheel support Manual brake



ISPS1514259

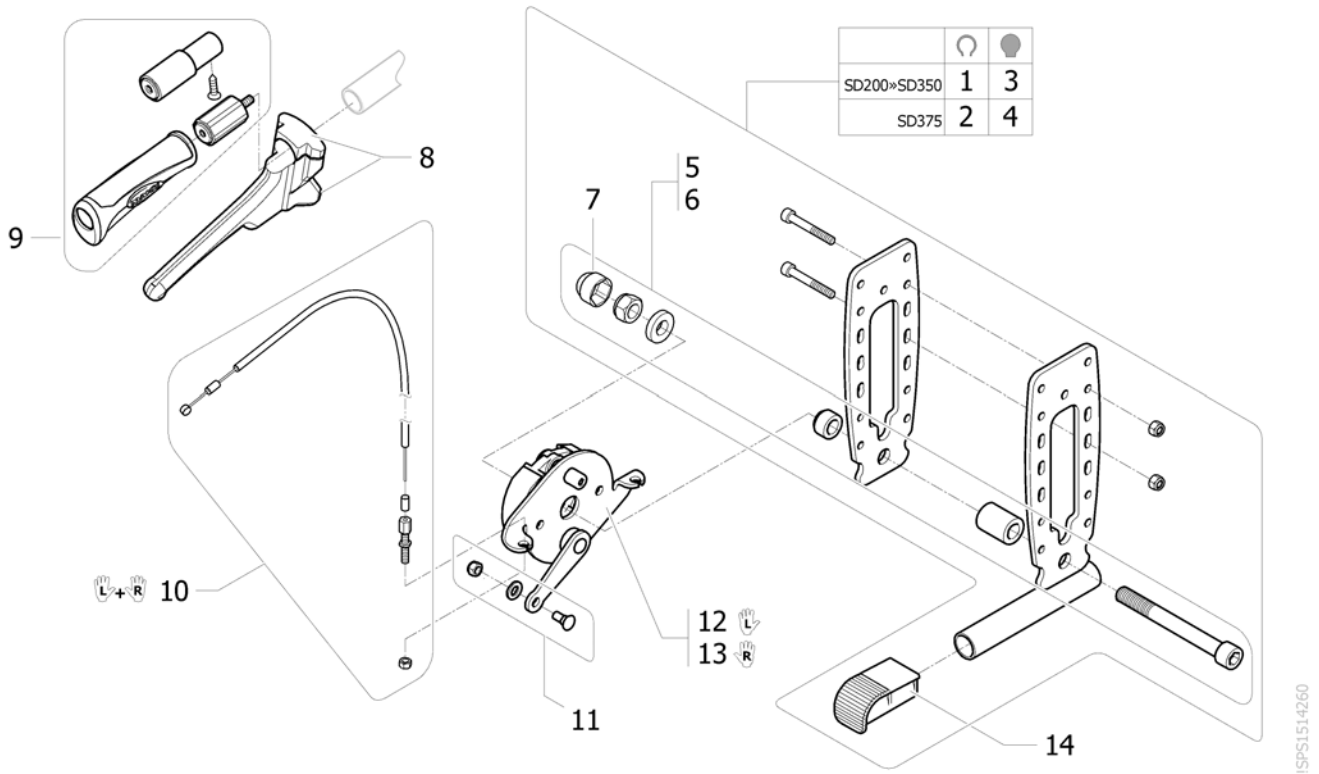
Pos.	Part number	Description	Valid from → until	Qty
1	1513637	Action 3 Standard Transit Rear Support Complete		2
2	1513638	Action 3 Standard Transit Rear Support D 37,5 cm Complete		2
3	0021-20011	Black end cap for tipping aid		2
4	1548792	Pair Transit Push Brake Action3 Junior		1
4.1	1513640	Action 3 Junior Lh Transit Push Brake		1
4.2	1513639	Action 3 Junior Rh Transit Push Brake		1

Support transit amputee

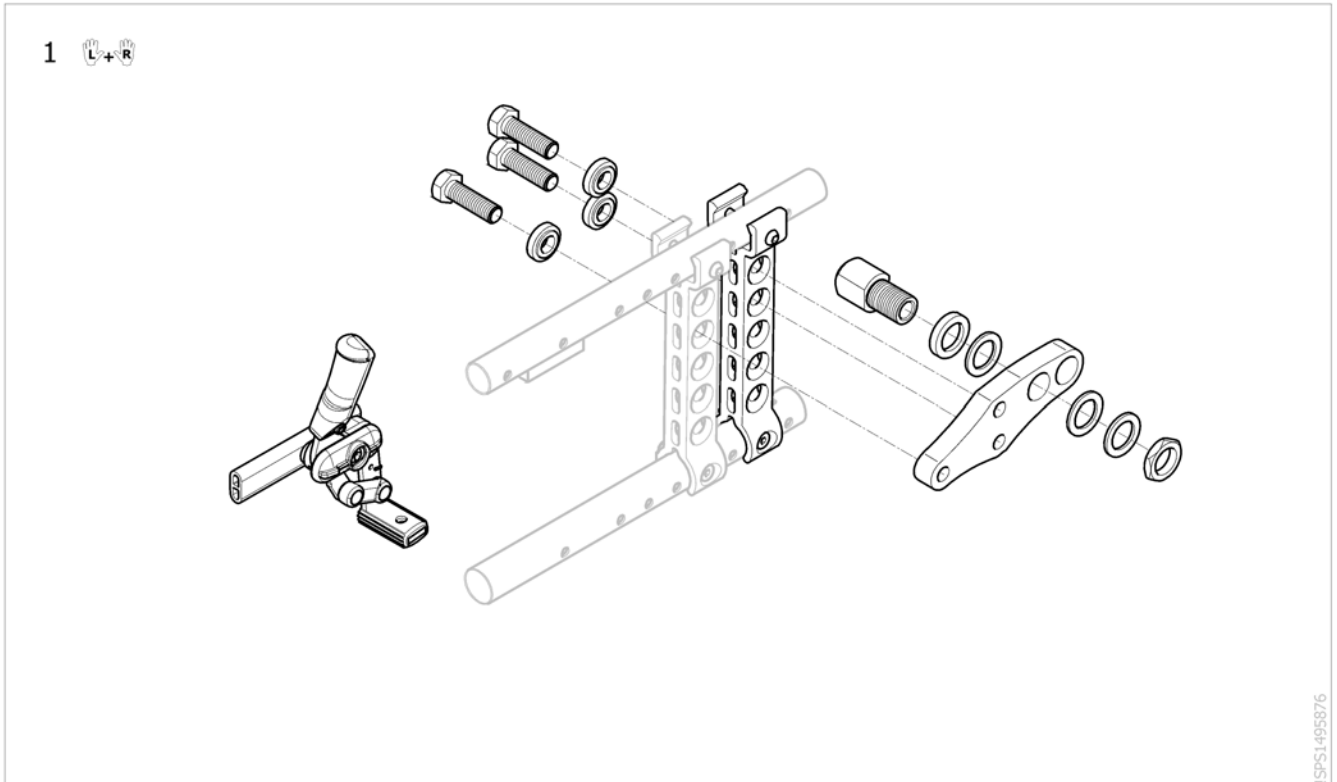


Pos.	Part number	Description	Valid from → until	Qty
1	1564684	Kit support transit left double amputee rear wheel SD305/380 A3Junior SD400/450 A3NG		1
2	1564685	Kit support transit right double amputee rear wheel SD305/380 A3 Junior SD400/450 A3NG		1
3	1564686	Kit support transit left double amputee rear wheel SD250/300 mm		1
4	1564687	Kit support transit right double amputee rear wheel SD250/300 mm		1
5	1564596	Transit left amputée rear wheel support		1
6	1564597	Transit right amputee rear wheel support		1
7	0021-20011	Black end cap for tipping aid		2

Transit rear wheel support Hub brake

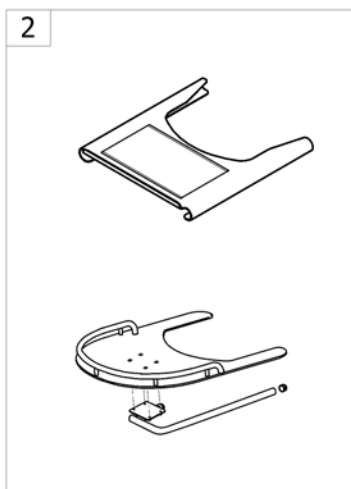
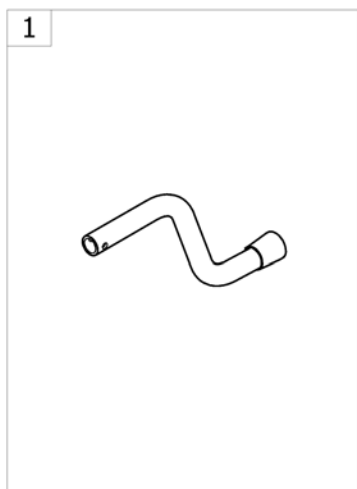


Pos.	Part number	Description	Valid from → until	Qty
1	1513641	Kit transit rear wheel support, hub brake, pneumatic, SD200/350 mm (A3J)		2
2	1513642	Kit transit rear wheel support, hub brake, pneumatic, SD375 mm (A3J)		2
3	1558348	Kit rear wheel support transit, hub brake, solid tyre, SD200/350 mm (A3J)		2
4	1558349	Kit rear wheel support transit, hub brake, solid tyre, SD375 mm (A3J)		2
5	SP1636842	Kit axle, transit wheel, pneumatic tyre, hub brake, SD400/450 mm (A3NG), SD200/350/375 mm (A3J)		2
6	SP1636844	Kit axle, transit wheel, solid tyre, Hub brake, SD200/350/375 mm (A3J)		2
7	0021N20030	C54 Plastic Cap BlackRear Whl		2
8	1420527	Black Brake Lever dia 22mm		2
9	1430412	Back brace insert for fixed backrest tube		2
10	1431285	Attendant Hub Brakes Cable kit (Pair)		1
11	M30071	Cable Clamp Bolt c/wNut& Wash		2
12	1558343	Lh hub brake pate		1
13	1558344	Rh hub brake pate		1
14	0021-20011	Black end cap for tipping aid		2



Pos.	Part number	Description	Valid from → until	Qty
1	AP1468002	Dual Amputee Black Position Kit (pair)		1

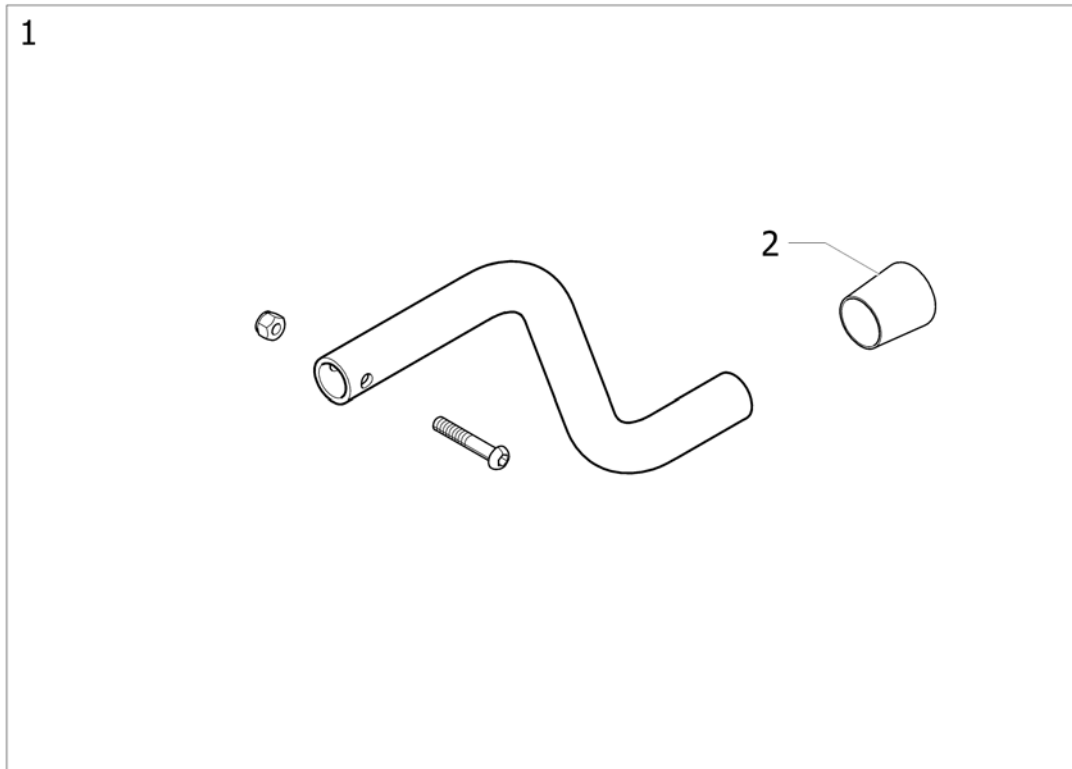
Others Options & Accessories



-<SPCACTION3198

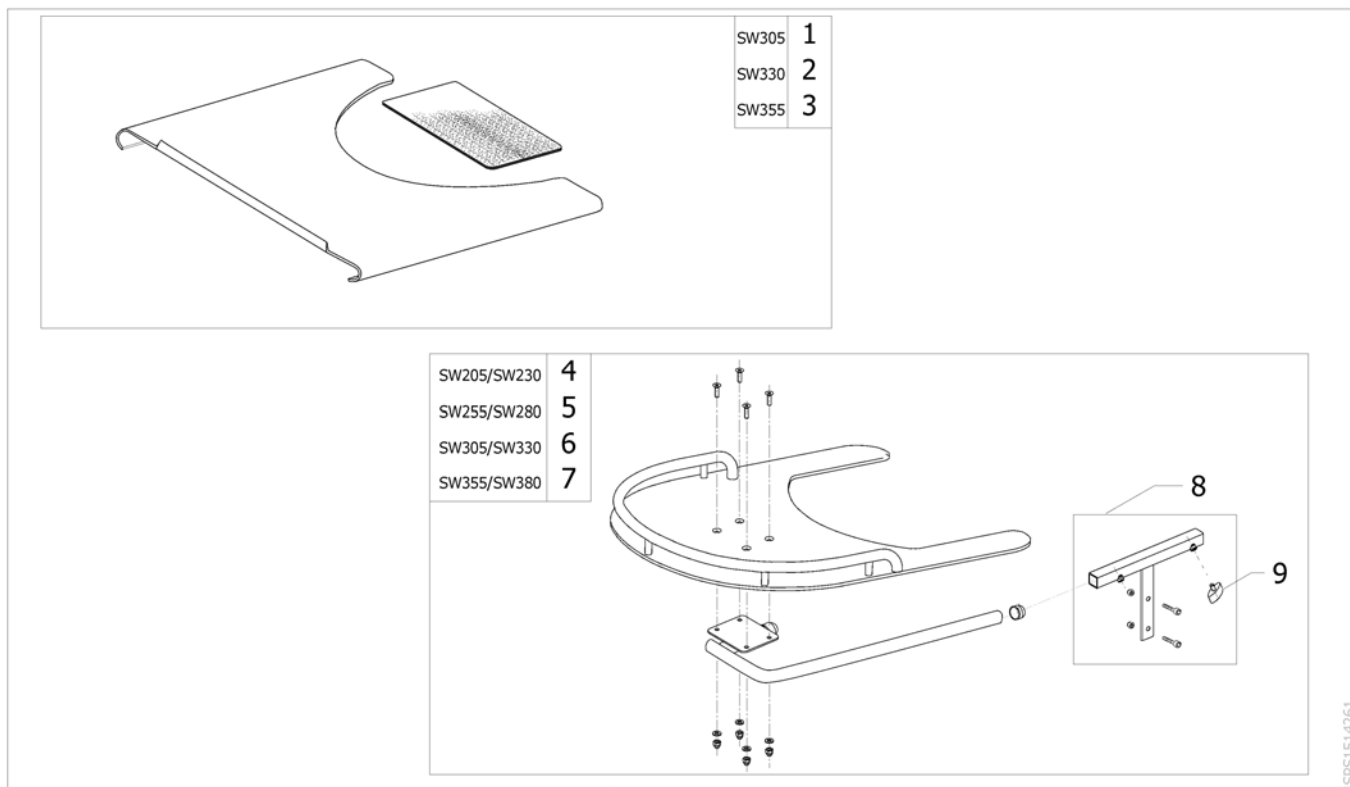
Pos.	Part number	Description	Valid from → until	Qty
1	-	Tipping tube [CN_1430/CN_1440] - Replace !SPS1497309		1
2	-	Junior Transparent Trays [CN_1470/CN_1471/CN_1472]		1
3	-	Kit Tools [CN_1461]		1

Tipping tube



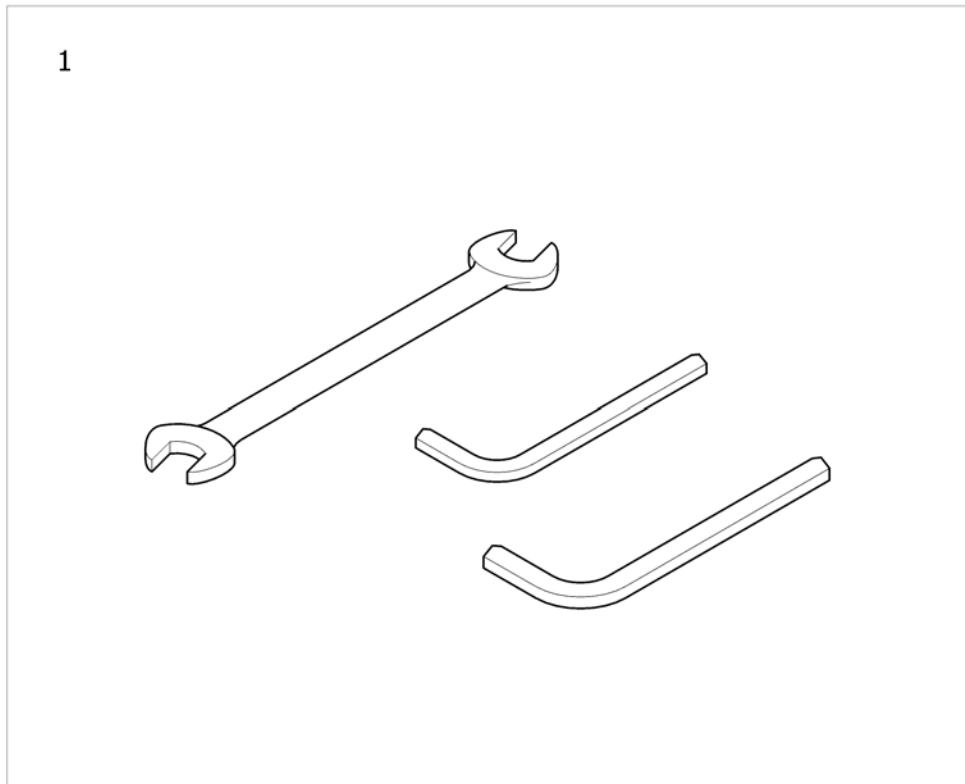
Pos.	Part number	Description	Valid from → until	Qty
1	0572-05143	Tipping Tube		1
2	0021-30015	22mm Ext Cap		1

Junior Transparent Trays



Pos.	Part number	Description	Valid from → until	Qty
1	1492757	Transparent tray with anti-slip mat SW 305 mm		1
2	1492758	Transparent tray with anti-slip mat SW 330 mm		1
3	1492759	Transparent tray with anti-slip mat SW 355 mm		1
4	1513253	Action 3 Junior Transparent Tray SW205/230 mm		1
5	1513254	Action 3 Junior Transparent Tray SW255/280 mm		1
6	1513255	Action 3 Junior Transparent Tray SW305/330 mm		1
7	1513256	Action 3 Junior Transparent Tray SW355/380 mm		1
8	1513579	T Support Armrest Tray Action 3 Junior		1
9	L10024	Wing knobs M6x16		1

Kit Tools



ISPS1602205

Pos.	Part number	Description	Valid from → until	Qty
1	SP1587482	Kit Tools		1



Yes, you can.®



Belgium & Luxemburg:

Invacare nv, Autobaan 22, B-8210 Loppem
Tel: (32) (0)50 83 10 10, Fax: (32) (0)50 83 10 11
belgium@invacare.com / www.invacare.be

Denmark:

Invacare A/S, Sdr. Ringvej 37, DK-2605 Brøndby
Tel: (45) (0)36 90 00 00, Fax: (45) (0)36 90 00 01
denmark@invacare.com / www.invacare.dk

Deutschland:

Invacare Aquatec GmbH, Alemannenstraße 10, D-88316 Isny
Tel: (49) (0)75 62 7 00 0, Fax: (49) (0)75 62 7 00 66
info@invacare-aquatec.com / www.invacare-aquatec.de

European Distributor Organisation:

Invacare, Kleiststraße 49, D-32457 Porta Westfalica
Tel: (49) (0)57 31 754 540, Fax: (49) (0)57 31 754 541
edo@invacare.com / www.invacare.eu.com

España:

Invacare SA, c/Areny s/n, Polígon Industrial de Celrà, E-17460 Celrà (Girona)
Tel: (34) (0)972 49 32 00, Fax: (34) (0)972 49 32 20
contactsp@invacare.com / www.invacare.es

France:

Invacare Poirier SAS, Route de St Roch, F-37230 Fondettes
Tel: (33) (0)2 47 62 64 66, Fax: (33) (0)2 47 42 12 24
contactfr@invacare.com / www.invacare.fr

Ireland:

Invacare Ireland Ltd, Unit 5 Seatown Business Campus, Seatown Road, Swords, County Dublin - Ireland
Tel: (353) 1 810 7084, Fax: (353) 1 810 7085
ireland@invacare.com / www.invacare.ie

Italia:

Invacare Mecc San s.r.l., Via dei Pini 62, I-36016 Thiene (VI)
Tel: (39) 0445 38 00 59, Fax: (39) 0445 38 00 34
italia@invacare.com / www.invacare.it

Nederland:

Invacare BV, Celsiusstraat 46, NL-6716 BZ Ede
Tel: (31) (0)318 695 757, Fax: (31) (0)318 695 758
nederland@invacare.com, csede@invacare.com / www.invacare.nl

Norge:

Invacare AS, Grensesvingen 9, Postboks 6230, Etterstad, N-0603 Oslo
Tel: (47) (0)22 57 95 00, Fax: (47) (0)22 57 95 01
norway@invacare.com, island@invacare.com / www.invacare.no

Österreich:

Invacare Austria GmbH, Herzog Odilostrasse 101, A-5310 Mondsee
Tel: (43) 6232 5535 0, Fax: (43) 6232 5535 4
info-austria@invacare.com / www.invacare.at

Portugal:

Invacare Lda, Rua Estrada Velha, 949, P-4465-784 Leça do Balio
Tel: (351) (0)225 1059 46/47, Fax: (351) (0)225 1057 39
portugal@invacare.com / www.invacare.pt

Sverige & Suomi:

Invacare AB, Fagerstagatan 9, S-163 91 Spånå
Tel: (46) (0)8 761 70 90, Fax: (46) (0)8 761 81 08
sweden@invacare.com, finland@invacare.com / www.invacare.se

Switzerland:

Invacare AG, Benkenstrasse 260, CH-4108 Witterswil
Tel: (41) (0)61 487 70 80, Fax: (41) (0)61 487 70 81
switzerland@invacare.com / www.invacare.ch

United Kingdom:

Invacare Limited, Pencoed Technology Park, Pencoed, Bridgend CF35 5AQ
Switchboard Tel: (44) (0)1656 776200, Fax: (44) (0)1656 776201
Customer services Tel: (44) (0)1656 776222, Fax: (44) (0)1656 776220
uk@invacare.com / www.invacare.co.uk