

Spare Parts Catalogue

Version: 2018/06/07a EN





Yes, you can.®

General Information

For any order of spare parts the following information is required:

- Product type*
- Product name & model*
- Serial Number*
- Part-Number*
- Part-Description*

Exploded view drawings and code numbers are not contractual and subject to modification, in relation to Invacare® continuous product improvement policy to meet end users needs.

The reproduction or use of this work, or of any substantial part of this work, in any form or by any electronic, mechanical or other means, including photocopying, scanning and recording, and in any information storage and retrieval system, including electronic transmission, is forbidden without the prior written permission of Invacare® International Sarl.



Yes, you can.®

TABLE OF CONTENTS

Chassis

Chassis	7
Chassis, Azalea Base	8
Chassis extender	9
Backrest + seat tilt, Azalea	10
Backrest + seat tilt, electric, Azalea	12
Backrest + seat tilt, electric, Azalea Max	13
Backrest + seat tilt, electric (=>2015.08)	14
Castor attachment, fixed	15
Kit, Azalea Tall	16

Seat

Seat cushion, Flo-shape	17
Seat cushion, Vicair multifunctional	18
Seat cushion, Flo-tech contour Visco (only for France)	19
Seat cushion, Mistral2	20
Seat cushion, Azalea Max	21
Incontinents cover	22
Sliding seat	23

Backrest

Backrest Flex3	24
Backrest Flex3, tension adj.	25
Backrest "Flex2", fixed (->2013)	26
Backrest "Flex2", adj. (->2013)	27
Backrest, Azalea Max	28
Backrest, Azalea minor	29
Backrest Matrix	30
Backrest, Laguna (France only)	32
Cushions, Flex3 backrest	33
Cushions, Flex2 backrest	35
Curvature cushion	37

Legrests

Legrest attachment	38
Legrest 80° Alu2003, Fixed	39
Legrest 90° Alu2003, Fixed	40
Legrest AA, ALU2008	41
Legrest AA, Azalea Max	42
Amputee legrest	43
Amputee legrest, Azalea Max	44

Footrests

Footrest, fixed, Alu2003	45
Footrest, AA, Alu2003	46
Footrest 90°, Alu2003	48
Footboard, Azalea Max	49
Central footrest	50
Calf strap, Alu2003 legrest	51



Yes, you can.[®]

TABLE OF CONTENTS

Calf strap, padded	52
Heel strap	53
Extender, footplate	54
Footrest one piece	55
Footplate cover	56
Footbox	57

Siderests

Armrest, Ducktail	58
Armrest Low, Ducktail	59
Armrest, height adj.	60
Armrest, padded	61
Armrest Max, reinforced	62
Armrest, hemiplegic	63
Armrest with half tray	64
Pad, siderest	65
Armrest attachment	66
Armrest attachment, Azalea Max	67

Front Wheels

Castor wheels	68
---------------------	----

Rear Wheels

Wheels 16" EU	69
Wheels 16 UK	70
24"Rear Wheels Specific	71
24" Wheel Spoked (Basic)	72
22"Rear Wheels Specific	73
20"Rear Wheels Specific	74
24" / 22" Hub brake wheels	75
24"Standard Wheels accessories	76
22"& 20"Standard Wheels accessories	77
Spoke Guard	78

Brakes

Brakes	79
Brake, Azalea Minor/Azalea Base sw34	80
Brake, Azalea Max	81
Attachment Ri, Brake Extended	82
Brake, extended, Azalea Max	83
Attachment Ri, Brake Extended	82
Brake, Azalea Tall	84
One arm brake	85
Brake attachment	86
Drumbrake, assistant manoeuvred	87
Brake, user manoeuvred, 16 wheel	88

Safety Options

Pelvic belt	89
Pelvic belt, Max	90



Yes, you can.[®]

TABLE OF CONTENTS

Pelvic Belt, Azalea Base	91
X-harness, Azalea Minor	92
Anti-tip device	93
Reflectors	94
Attachment, X-harness, Flex3	95

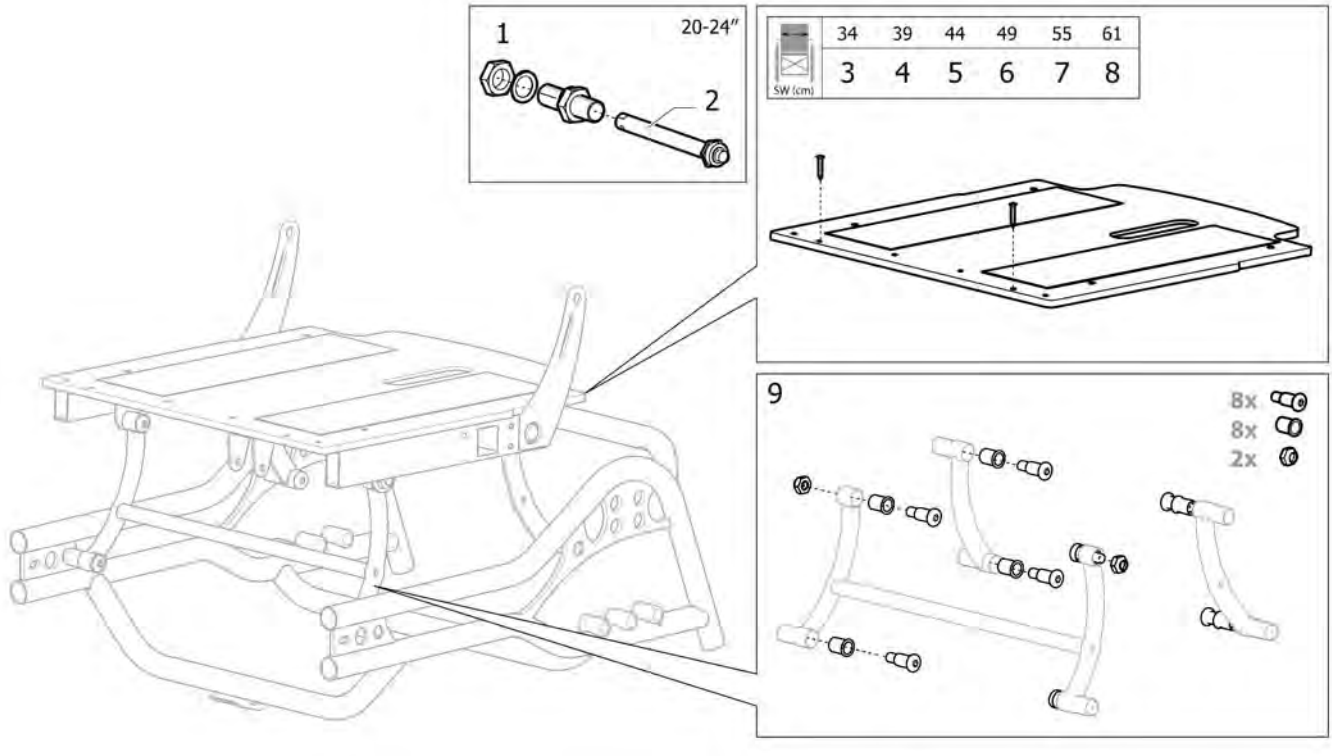
Seating Options

Headrest	96
Neckrest	97
Cheek support	98
Pommel	99
Trunk supports, Flex3 backrest	100
Trunk supports, Flex3 tension adj. backrest	101
Trunk supports, Flex2	102
Trunk supports, Azalea MAX	103
Trunk supports, Azalea Minor	104
Trunk supports, Laguna2 backrest	105
Lateral positioning pad	106
Attachment, Positioning Belt	107
Universal, Head-/Neckrest pole	108

Others Options & Accessories

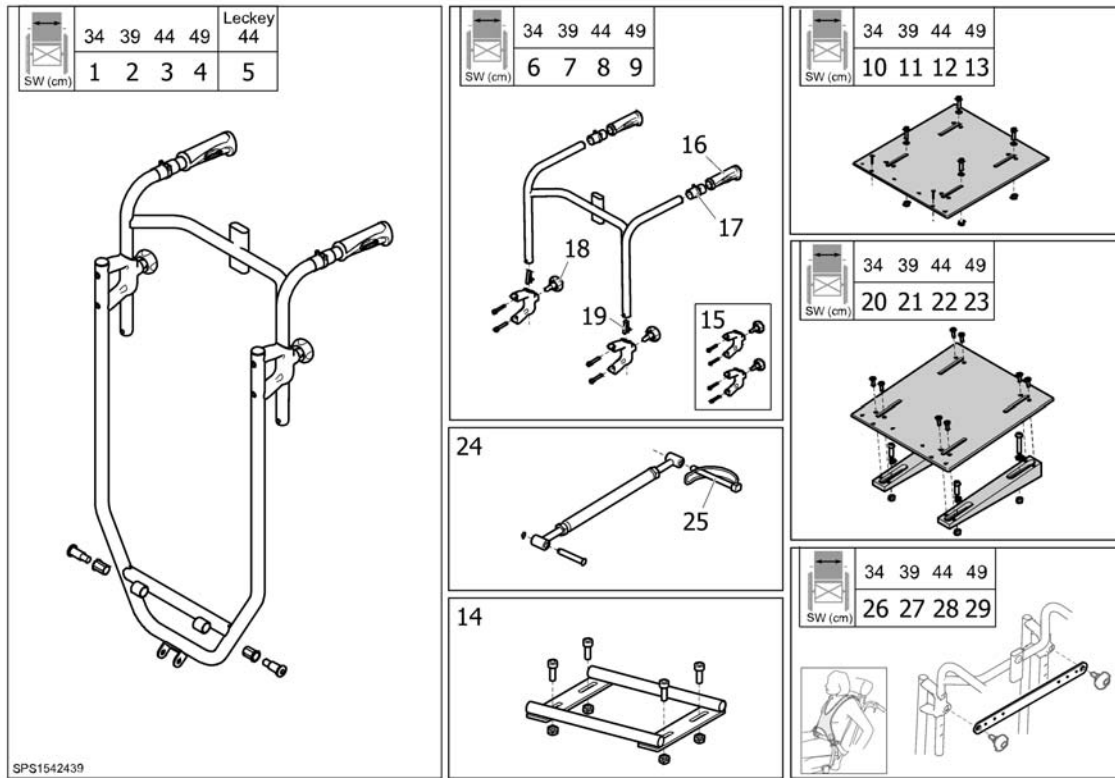
Table tray	109
Table tray, Azalea Max	110
Table tray with armpad	111
Table tray "Swingaway"	112
Table tray Swingaway, Azalea Minor	113
Table tray "Swingaway"	112
Table tray, Azalea Max	110
Armrest with half tray	64
Pushbar adj. Azalea Minor	114
Pushbar adj. Azalea	115
Push bar, Flex2	116
Push handles connected, Flex 2	117
Push handles, Azalea Max	118
Crutch holder, Flex3 backrest	119
Crutch holder, Flex2 backrest	120
Wash sealing kit	121
Tilt scale	122
Clinic kit	123
Kit, handwheels	124
Castor lock (for 16inch rearwheels only)	125
Transport Bracket	126
Dripstand	127

Chassis

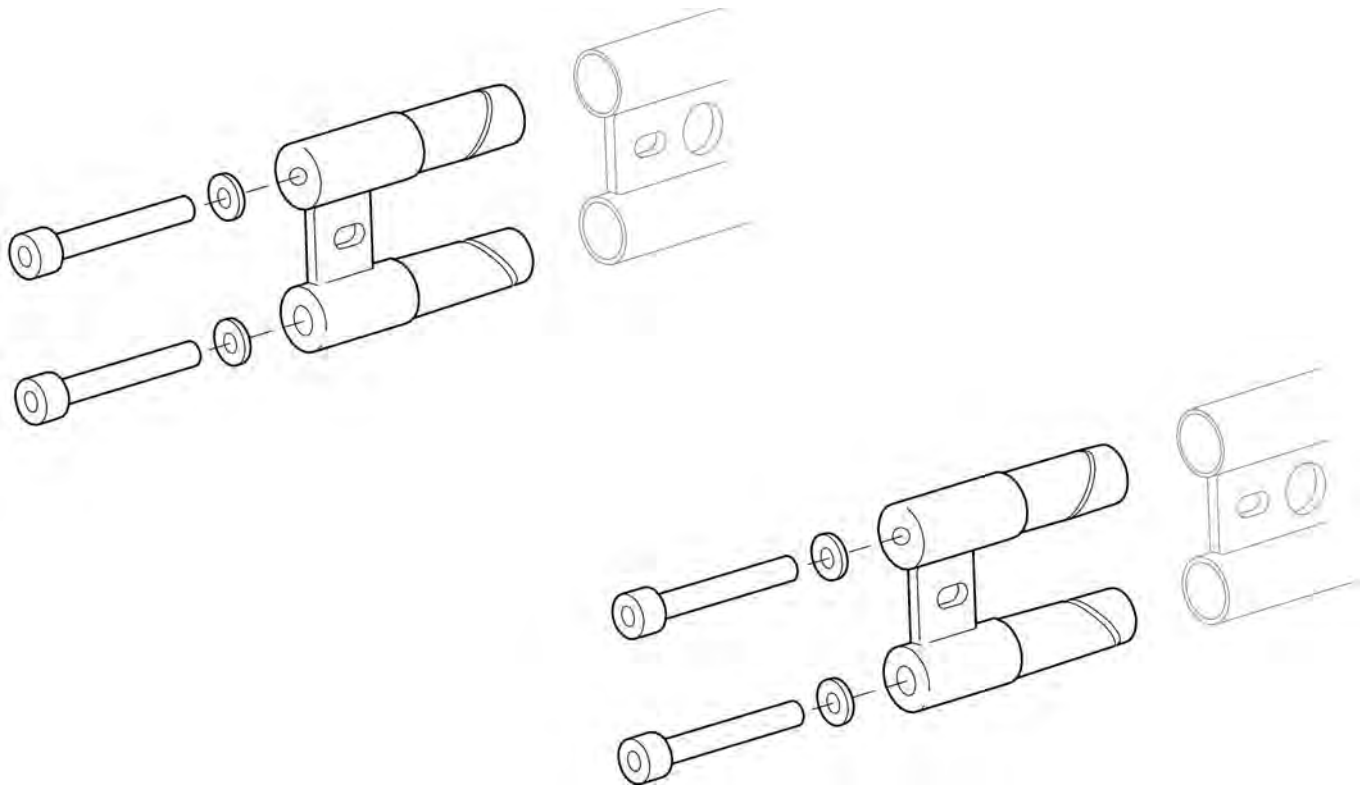


Pos.	Part number	Description	Valid from → until	Qty
1	5750166	Kit axle housing + axle QR		1
2	5750165	QR Axle 12mm		1
3	1513123	SEATPLATE 340 CPL. (350X420), AZALEA MINOR		1
4	1508135	SEATPLATE 390 CPL. (380X470)		1
5	1508136	SEATPLATE 440 CPL. (430X470)		1
6	1508137	SEATPLATE 490 CPL. (480X470)		1
7	1525083	SEATPLATE 550 CPL. (540X570)		1
8	1525082	SEATPLATE 610 CPL. (600X570)		1
9	SP1591221	FASTENERS, KIT LINKAGE ARM		1

Chassis, Azalea Base

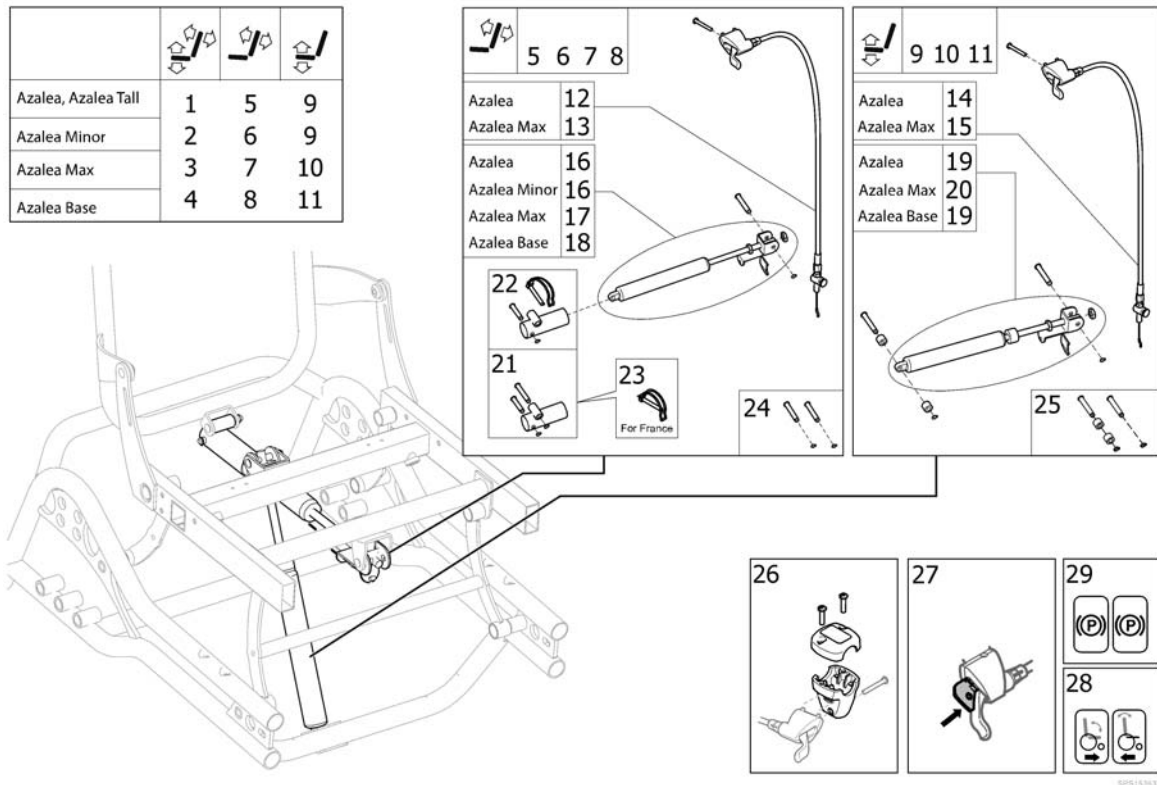


Pos.	Part number	Description	Valid from → until	Qty
1	1542429	BACKREST 34 CPL		1
2	1542430	BACKREST 39 CPL		1
3	1542431	BACKREST 44 CPL		1
4	1542433	BACKREST 49 CPL		1
5	1542432	BACKREST 44 CPL, LECKEY		1
6	1512900	Bow, Head & Neckrest, Sw 33/34		1
7	1435750	Bow, Head & Neckrest, Sw 38 (355)		1
8	1435751	Bow, Head & Neckrest, Sw 43 (405)		1
9	1435752	Bow, Head & Neckrest, Sw 48 (455)		1
10	1539677	SEATPLATE 34 CPL		1
11	1539679	SEATPLATE 39 CPL		1
12	1539681	SEATPLATE 44 CPL		1
13	1539683	SEATPLATE 49 CPL		1
14	1508908	H-ATTACHMENT, SEAT		1
15	1512904	Attachment, Pushhandles, Pair		1
16	SP1429301	HANDLE 20MM, PAIR		1
17	1542447	ADAPTER, HANDLE		1
18	1434841	Handwheel M10-22,5		1
19	1560734	Snap button		1
20	1542434	SEATPLATE 34 CPL, WITH WEDGES		1
21	1542435	SEATPLATE 39 CPL, WITH WEDGES		1
22	1542436	SEATPLATE 44 CPL, WITH WEDGES		1
23	1542437	SEATPLATE 49 CPL, WITH WEDGES		1
24	SP1512895	KIT, RIGGING SCREW		1
25	1439936	Pin with Loop 8X60		1
26	1542445-0509	ATTACHMENT CPL., X-HARNESS 34		1
27	1539655-0509	ATTACHMENT CPL., X-HARNESS 39		1
28	1539662-0509	ATTACHMENT CPL., X-HARNESS 44		1
29	1542446-0509	ATTACHMENT CPL., X-HARNESS 49		1



Pos.	Part number	Description	Valid from → until	Qty
	SP1484535	Chassis extender		1

Backrest + seat tilt, Azalea

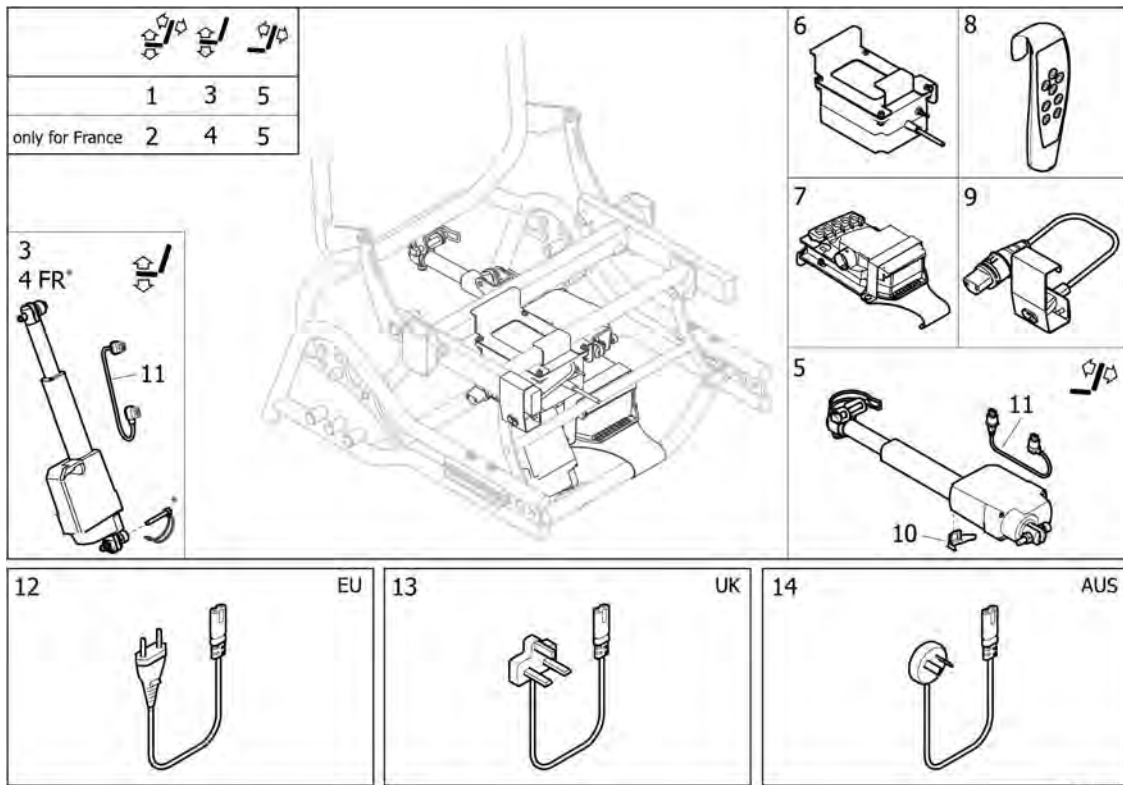


Pos.	Part number	Description	Valid from → until	Qty
1	SP1605256	KIT, TILT SEAT+BACKREST CPL., ASS. MAN. DRUMBRAKE CPL SEALED <i>Replaces 1559684</i>		1
2	SP1605258	KIT, TILT SEAT+BACKREST CPL., ASS. MAN. DRUM BRAKE, SEALED		1
3	SP1605261	KIT, TILT SEAT+BACKREST CPL., ASS. MAN. DRUM BRAKE, SEALED <i>Replaces 1536336</i>		1
4	SP1605324	KIT, TILT SEAT+BACKREST CPL., ASS. MAN. SEALD, AZALEA BASE <i>Replaces 1542606</i>		1
5	SP1605320	MANOUVERING KIT BACKREST, SEALED, FLEX 3 <i>Replaces 1559495</i>		1
6	SP1605321	MANOUVERING KIT BACKREST, SEALED, AZALEA MINOR		1
7	SP1605322	MANOUVERING KIT BACKREST, MAX <i>Replaces 1536338</i>		1
8	SP1605271	MANOUVERING KIT BACKREST, SEALED, AZALEA BASE <i>Replaces 1539661</i>		1
9	SP1605319	MANOUVERING KIT, SEAT, SEALED, AZALEA <i>Replaces 1536339</i>		1
10	SP1605323	MANOUVERING KIT, SEAT, SEALED, AZALEA MAX <i>Replaces 1536341</i>		1
11	SP1605272	MANOUVERING KIT, SEAT, SEALED, AZALEA BASE <i>Replaces 1536843</i>		1
12	1536328	CABLE ASSY 1190, LH, TILT, INCL. SCREW		1
13	1536330	CABLE ASSY 1363, LH, TILT, INCL. SCREW		1
14	1536325	CABLE ASSY 1190, RH, TILT, INCL. SCREW		1
15	1536327	CABLE ASSY 1363, RH, TILT, INCL. SCREW		1
16	SP1605277	KIT, GAS SPRING, SEALED, BACK, AZALEA		1
17	SP1605315	KIT, GAS SPRING, SEALED, BACK, AZALEA MAX		1
18	SP1605316	KIT, GAS SPRING, SEALED, BACK, AZALEA BASE		1
19	SP1605276	KIT, GAS SPRING, SEALED, SEAT, AZALEA		1
20	SP1605314	KIT, GAS SPRING, SEALED, SEAT, AZALEA MAX		1
21	SP1605220	KIT, TUBE GASSPRING, BACKREST, AZALEA MINOR		1
22	SP1606043	KIT, TUBE GASSPRING, BACKREST, AZALEA MAX		1
23	1439936	Pin with Loop 8X60		1
24	SP1605221	PIN KIT, PAIR		1

Backrest + seat tilt, Azalea

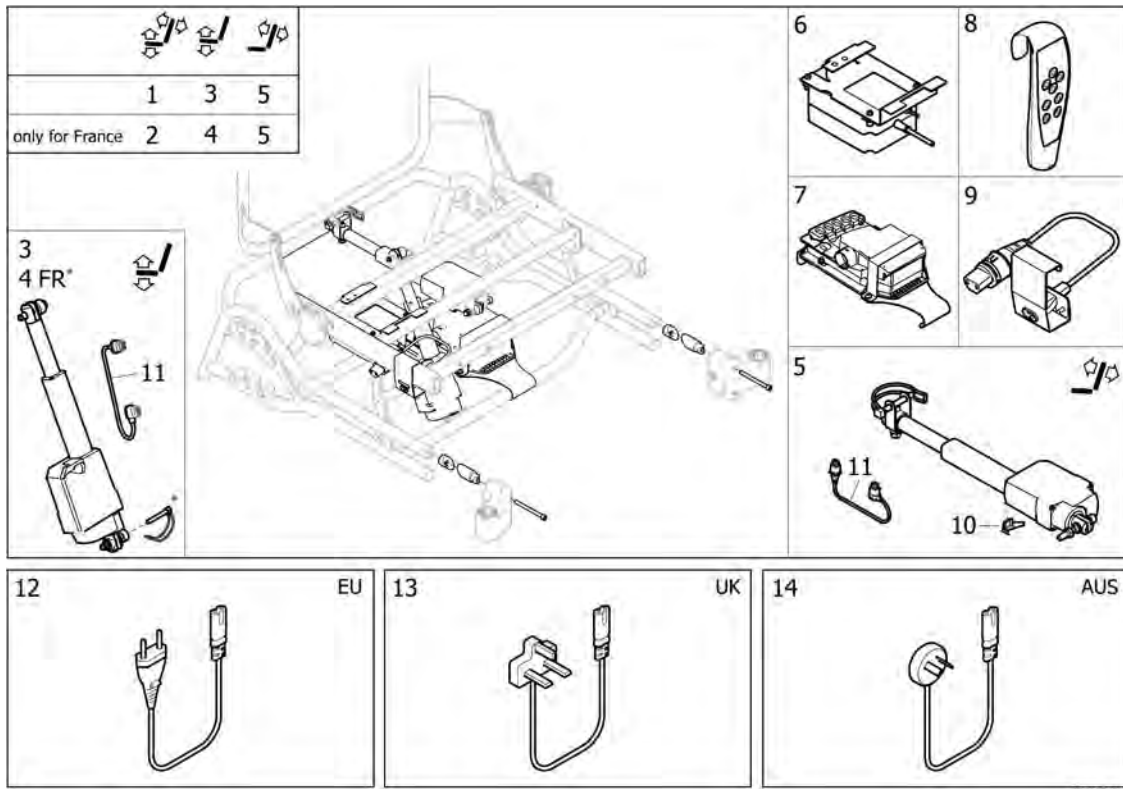
Pos.	Part number	Description	Valid from → until	Qty
25	SP1605222	PIN KIT INCL. DISTANCE		1
26	1527287	Housing Cpl, Tilt		1
27	1527435	LOCKING DEVICE, MANOUVERING KIT		1
28	1536764	DECAL, CABLE ASSEMBLY, BRAKE		1
29	1536373	DECAL, CABLE ASSEMBLY, TILT		1

Backrest + seat tilt, electric, Azalea



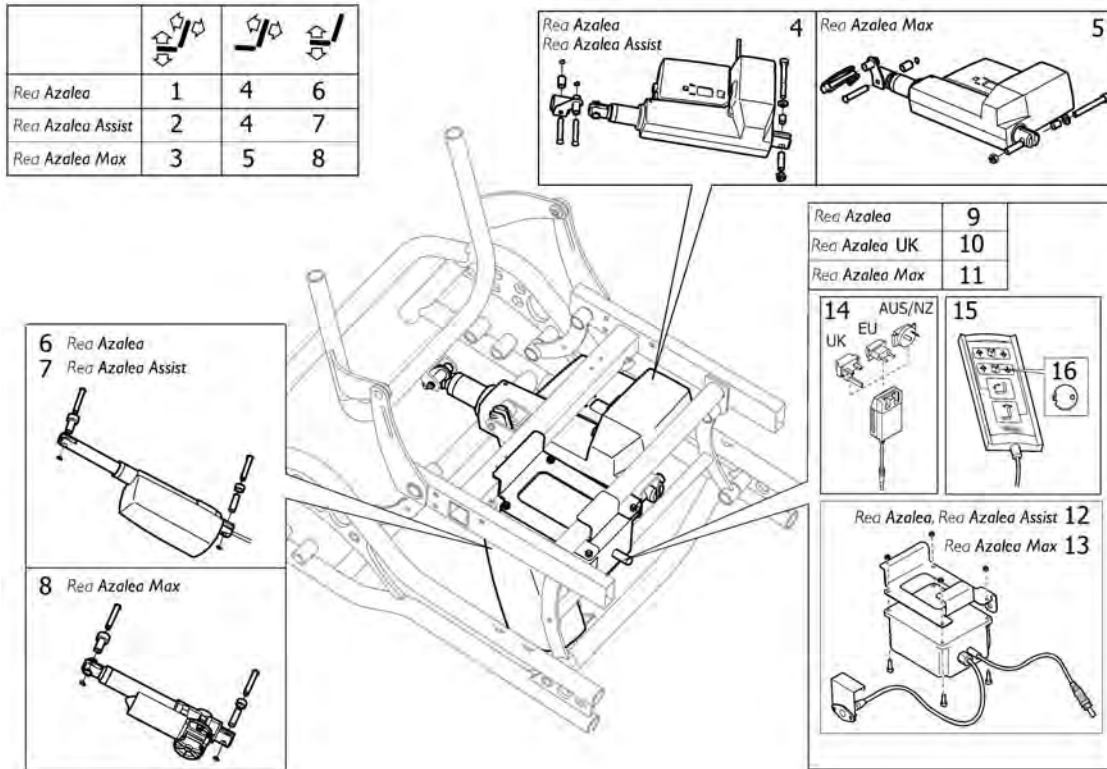
Pos.	Part number	Description	Valid from → until	Qty
1	SP1583212	Kit, power tilt, Azalea (powercable not included)		1
2	SP1583400	Kit, power tilt, Azalea (France), powercable not included		1
3	SP1583177	Kit, seat tilt cpl.		1
4	SP1583372	Kit, seat tilt cpl. (France)		1
5	SP1583210	Kit, backrest tilt cpl.		1
6	SP1582785	Battery cpl, Azalea		1
7	SP1582818	Control box CB06, cpl.		1
8	SP1582717	Handcontrol HB30, electric tilt		1
9	SP1582977	Plug cpl		1
10	SP1583029	Fixation, cable, Actuator LA23		1
11	SP1578477	Power cable, Actuator LA23		1
12	SP1578459	Power Cable EU		1
13	SP1578460	Power Cable UK		1
14	SP1578461	Power Cable AUSTRALIA		1

Backrest + seat tilt, electric, Azalea Max




Pos.	Part number	Description	Valid from → until	Qty
1	SP1583209	Kit, power tilt, Azalea Max		1
2	SP1583401	Kit, power tilt (France), Azalea Max		1
3	SP1583177	Kit, seat tilt cpl.		1
4	SP1583372	Kit, seat tilt cpl. (France)		1
5	SP1583211	Kit, backrest tilt cpl, Azalea Max		1
6	SP1582756	Battery cpl, Azalea Max		1
7	SP1582818	Control box CB06, cpl.		1
8	SP1582717	Handcontrol HB30, electric tilt		1
9	SP1582977	Plug cpl		1
10	SP1583029	Fixation, cable, Actuator LA23		1
11	SP1578477	Power cable, Actuator LA23		1
12	SP1578459	Power Cable EU		1
13	SP1578460	Power Cable UK		1
14	SP1578461	Power Cable AUSTRALIA		1

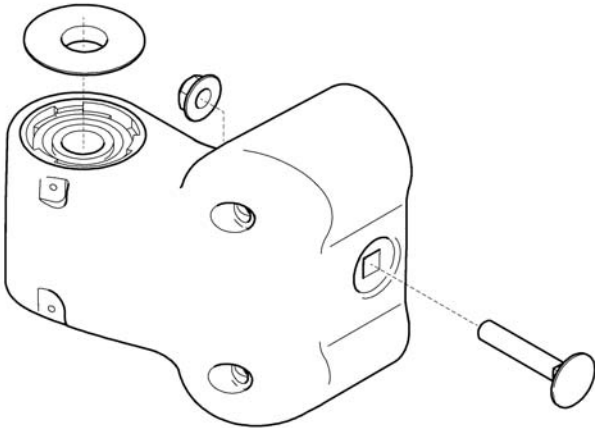
Backrest + seat tilt, electric (=>2015.08)



Pos.	Part number	Description	Valid from → until	Qty
1	1484820	KIT EL-TILT, AZALEA		1
2	1483996	KIT EL-TILT, AZALEA ASSIST		1
3	1524790	KIT EL-TILT, AZALEA MAX,		1
4	1492904	PISTON LA31 CPL, BACKREST, AZALEA		1
5	1526825	ACTUATOR LA31, CPL, BACKREST		1
6	1493020	KIT EL-TILT UNIT, AZALEA		1
7	1492938	PISTON LA28 CPL, SEAT, AZALEA		1
8	1535278	ACTUATOR LINK LA28 CPL SEAT, ELTILT		1
9	1492939	KIT, STEERING UNIT		1
10	1508985	KIT, STEERING UNIT UK		1
11	1526826	KIT, STEERING UNIT, AZALEA MAX		1
12	1493097	BATTERY CPL., AZALEA		1
13	1526827	BATTERY CPL, AZALEA MAX		1
14	SP1571940	CHARGER CH01 INCL. CONNECTORS		1
15	1542453	HAND CONTROL HL70 <i>Replaces 1492696</i>		1
16	1542455	KEY, HAND CONTROL HL70		1

Castor attachment, fixed

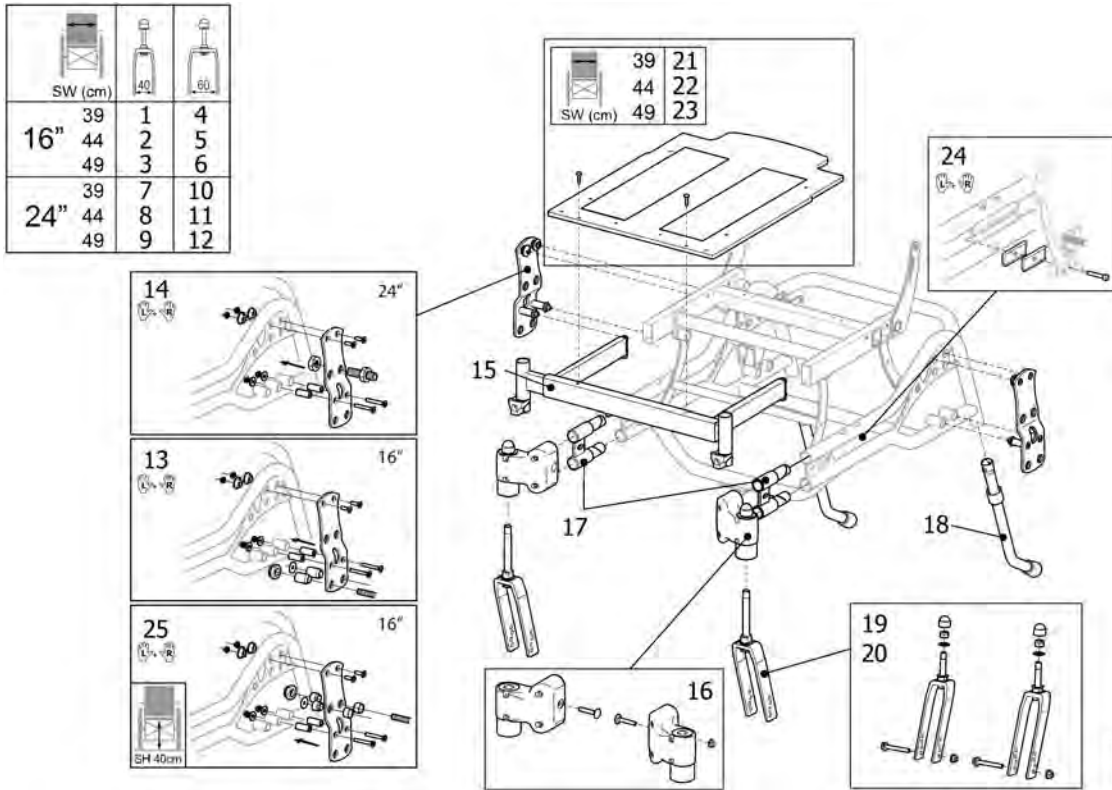
	
1	2



5254308

Pos.	Part number	Description	Valid from → until	Qty
1	5254309	CASTOR HOUSING, PAIR		1
2	5254308	CASTOR HOUSING FIXED		2

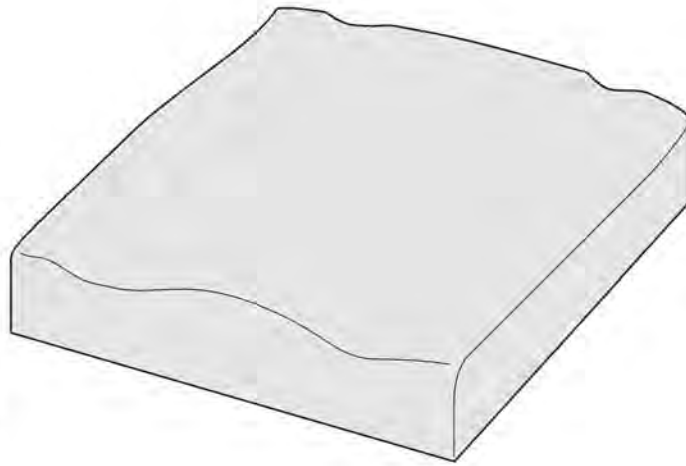
Kit, Azalea Tall



Pos.	Part number	Description	Valid from → until	Qty
1	1508000	AZALEA TALL 16, 39 CPL KIT, NARROW FORK		1
2	1508001	AZALEA TALL 16, 44 CPL KIT, NARROW FORK		1
3	1508002	AZALEA TALL 16, 49 CPL KIT, NARROW FORK		1
4	1508020	AZALEA TALL 16, 39 CPL KIT, WIDE FORK		1
5	1508021	AZALEA TALL 16, 44 CPL KIT, WIDE FORK		1
6	1508022	AZALEA TALL 16, 49 CPL KIT, WIDE FORK		1
7	1507958	AZALEA TALL 39 CPL KIT, NARROW FORK		1
8	1507998	AZALEA TALL 44 CPL KIT, NARROW FORK		1
9	1507999	AZALEA TALL 49 CPL KIT, NARROW FORK		1
10	1508017	AZALEA TALL 39 CPL KIT, WIDE FORK		1
11	1508018	AZALEA TALL 44 CPL KIT, WIDE FORK		1
12	1508019	AZALEA TALL 49 CPL KIT, WIDE FORK		1
13	1508006	DRIVE WHEEL ATTACH. , 16 PAIR		1
14	1508007	DRIVE WHEEL ATTACH. , 24 PAIR		1
15	1507966-0509	LEGREST ATTACH. 39 CPL, ADJUSTABLE		1
15	1507967-0509	LEGREST ATTACH. 44 CPL, ADJUSTABLE		1
15	1507968-0509	LEGREST ATTACH. 49 CPL, ADJUSTABLE		1
17	1484535	CHASSIS EXTENDER KPL, PAIR, AZALEA		1
18	1508008	ANTI-TIP DEVICE PAIR, TALL		1
16	1508003	CASTOR HOUSING PAIR,		1
19	1508011	CASTOR FORK CPL PAIR, NARROW		1
20	1508010	CASTOR FORK CPL PAIR, WIDE		1
21	1508138	SEATPLATE 390 CPL. (350X520), AZALEA TALL		1
22	1508139	SEATPLATE 440 CPL. (420X520), AZALEA TALL		1
23	1508140	SEATPLATE 490 CPL. (450X520), AZALEA TALL		1
24	5207648	Width extension 10mm, brake, pair		1
25	1508785	ATTACHMENT PLATES 16 PAIR		1

Seat cushion, Flo-shape

SW (mm)	TR26	TR35	TR36
Azalea			
340	1	2	3
390	4	5	6
390 +50	4	5	6
390 +100	7	8	9
440	7	8	9
440 +50	7	8	9
440 +100	10	11	12
490	10	11	12
490 +50	10	11	12
490 +100	10	11	12
Bellis			
Small 410	4	5	
Medium 460	7	8	
Large 510	10	11	
Clematis			
390	13	14	
440	4	5	
490	7	8	
Dahlia			
390	4	5	6
390 +50	4	5	6
390 +100	7	8	9
440	7	8	9
440 +50	7	8	9
440 +100	10	11	12
490	10	11	12
490 +50	10	11	12
490 +100	10	11	12




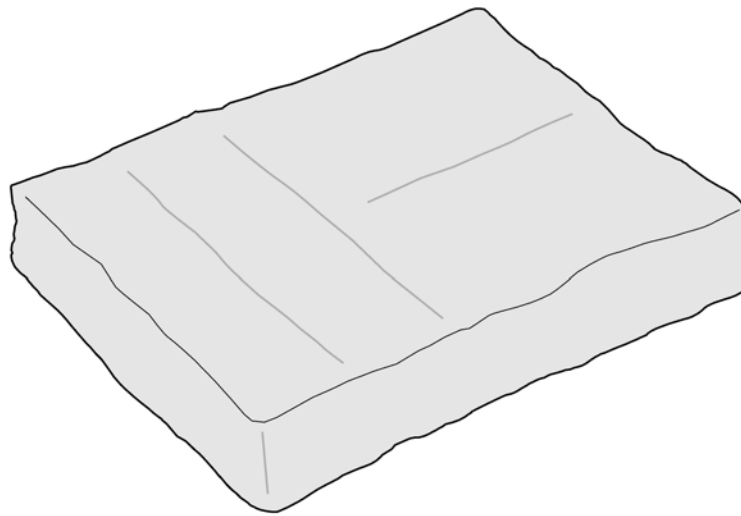
	Färg	Colour	Farbe	Couleur
TR26	dartex svart	dartex black	dartex schwarz	dartex noir
TR35	plysch svart	plysch black	plüsch schwarz	velours noir
TR36	spacer svart	spacer black	spacer schwarz	spacer noir

©Werner-Born

Pos.	Part number	Description	Valid from → until	Qty
1	1509920-TR26	SEATCUSHION, FLOSHAPE, 355X450, DARTEX BLACK		1
2	1509920-TR35	SEATCUSHION, FLOSHAPE, 355X450, PLUSH BLACK		1
3	SP1509920-TR36	SEAT CUSHION, FLOSHAPE, 355X450, SPACER BLACK		1
4	1508055-TR26	Flo-Shape cushion 405x535mm - Dartex black (TR26)		1
5	1508055-TR35	SEAT CUSHION 405X535, FLOSHAPE, PLUSH BLACK		1
6	SP1508055-TR36	SEAT CUSHION, FLOSHAPE, 405X535, SPACER BLACK		1
7	1508057-TR26	Flo-Shape cushion 455x535mm - Dartex black (TR26)		1
8	1508057-TR35	SEAT CUSHION 455X535, FLOSHAPE, PLUSH BLACK		1
9	SP1508057-TR36	SEAT CUSHION, FLOSHAPE, 455X535, SPACER BLACK		1
10	1508059-TR26	Seat Cushion 505x535 - Dartex black (TR26)		1
11	1508059-TR35	SEAT CUSHION 505X535, FLOSHAPE, PLUSH BLACK		1
12	SP1508059-TR36	SEAT CUSHION, FLOSHAPE, 505X535, SPACER BLACK		1
13	1508053-TR26	Flo-Shape cushion 355x535mm - Dartex black (TR26)		1
14	1508053-TR35	SEATCUSHION, FLOSHAPE, 355x535, PLUSH BLACK		1

Seat cushion, Vicair multifunctional


 SW (mm)		
Azalea		
390		1
390 +50		2
390 +100		3
440		2
440 +50		3
440 +100		4
490		3
490 +50		4
490 +100		4
Bellis		
Small 410		2
Medium 460		3
Large 510		4
Dahlia		
390		1
390 +50		2
390 +100		3
440		2
440 +50		3
440 +100		4
490		3
490 +50		4
490 +100		4

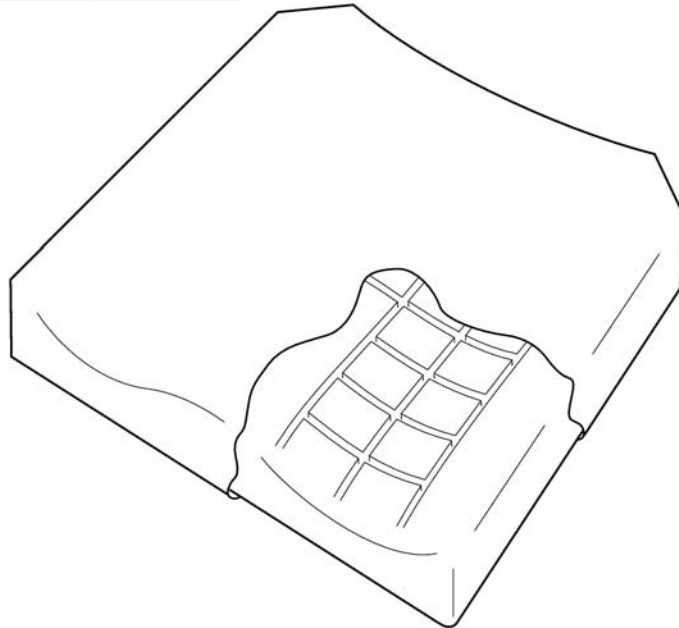


9551497347

Pos.	Part number	Description	Valid from → until	Qty
1	1497347	SEAT CUSHION 370X520X110, MULTI-FUNCTIONAL		1
2	1497348	SEAT CUSHION 400X520X110, MULTI-FUNCTIONAL		1
3	1497349	SEAT CUSHION 450X520X110, MULTI-FUNCTIONAL		1
4	1497387	SEAT CUSHION 500X520X110, MULTI-FUNCTIONAL		1

Seat cushion, Flo-tech contour Visco (only for France)


	SW (cm)	39	+5	+10	44	+5	+10	49	+5	+10
Azalea		2	2	3	3	3	4	4	4	4
Cleamtis		1			2			3		

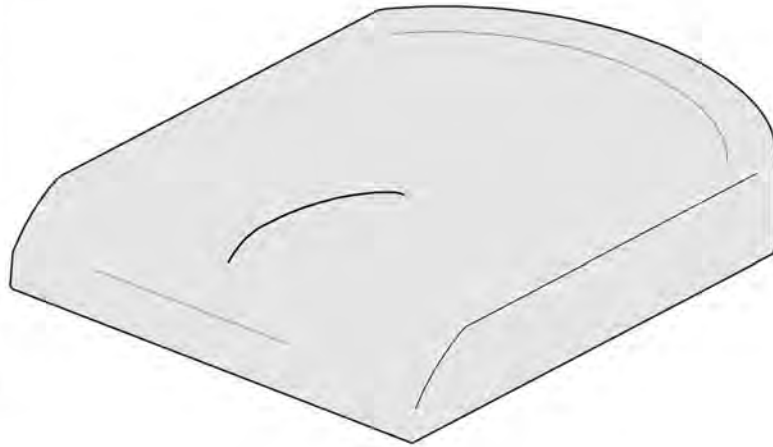


SPS1501122

Pos.	Part number	Description	Valid from → until	Qty
1	1501120	CUSHION FLO-TECH 355X535 CONTOUR MEDIUM VISCO W.C		1
2	1501121	CUSHION FLO-TECH 405X535 CONTOUR FIRM VISCO W.COV		1
3	1501122	CUSHION FLO-TECH 455X535 CONTOUR FIRM VISCO W.COV		1
4	1501123	CUSHION FLO-TECH 505X535 CONTOUR V.FIRM VISCO W.C		1

Seat cushion, Mistral2

		
SW (mm)		
Azalea	TR26	TR23
390	1	
440	2	
490	3	
Dahlia	TR26	TR23
390	1	
390 +50	2	
390 +100	3	
440	2	
440 +50	3	
440 +100	4	
490	3	
490 +50	4	
490 +100	4	
Clematis	TR26	TR23
390	1	5
440	2	6
490	3	7



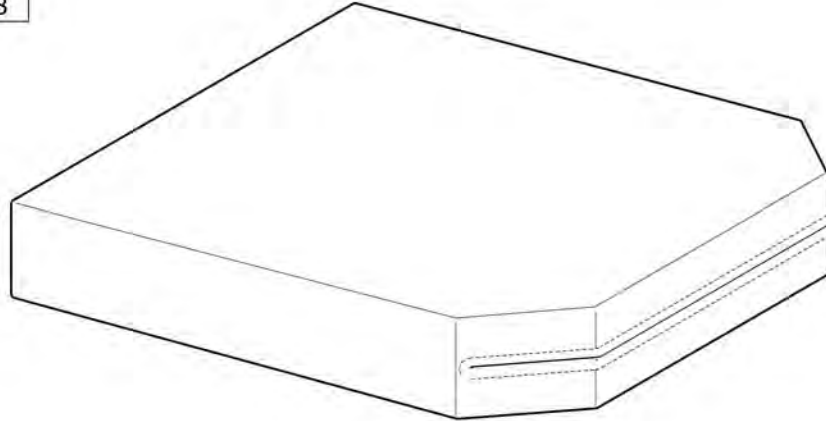
	Farg	Colour	Farbe	Couleur
TR26	dartex svart	dartex black	Dartex schwarz	dartex noir
→2012-04-01				
TR23	dartex grå	dartex grey	Dartex grau	dartex gris

699112156E

Pos.	Part number	Description	Valid from → until	Qty
1	SP1435856-TR26	SEAT CUSHION 365X490,MISTRAL 2-LAYER TR26		1
2	SP1435857-TR26	SEAT CUSHION 415X490,MISTRAL 2-LAYER TR26		1
3	SP1435858-TR26	SEAT CUSHION 465X490,MISTRAL 2-LAYER TR26		1
4	1435859-TR26	SEAT CUSHION 515X490, MISTRAL2, DARTEX BLACK		1
5	1435856	Seat Cushion Mistral 365x490mm - Dartex grey (TR23)		1
6	1435857	Seat Cushion Mistral 415x490mm - Dartex grey (TR23)		1
7	1435858	Seat Cushion Mistral 465x490mm - Dartex grey (TR23)		1

Seat cushion, Azalea Max

		TR26 TR35	
SW	550	1	2
	610	3	4
→2012-04-01			
		TR23 TR32	
SW	550	5	6
	610	7	8



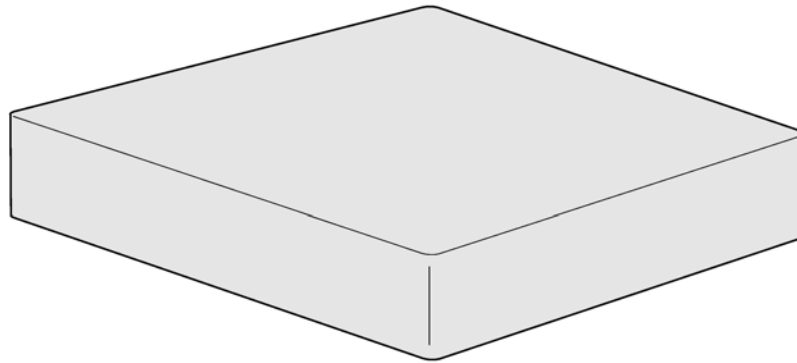
	Färg	Colour	Farbe	Couleur
TR26	dartex svart	dartex black	Dartex schwarz	dartex noir
TR35	plysch svart	plush black	Plüsch schwarz	velours noir
TR23	dartex grå	dartex grey	Dartex grau	dartex gris
TR32	plysch grå	plush grey	Plüsch grau	velours gris

SP131096

Pos.	Part number	Description	Valid from → until	Qty
1	1536595-TR26	Seat Cushion 550x635 - Dartex black (TR26)		1
2	1536595-TR35	SEAT CUSHION 550X635, PLUSH BLACK		1
3	1536596-TR26	Seat Cushion 610x635 - Dartex black (TR26)		1
4	1536596-TR35	SEAT CUSHION 610X635, PLUSH BLACK		1
5	1536595	SEAT CUSHION 550X635, DARTEX GREY		1
6	1536597	SEAT CUSHION 550X635, PLUSH GREY		1
7	1536596	SEAT CUSHION 610X635, DARTEX GREY		1
8	1536598	SEAT CUSHION 610X635, PLUSH GREY		1

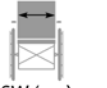
Incontinents cover

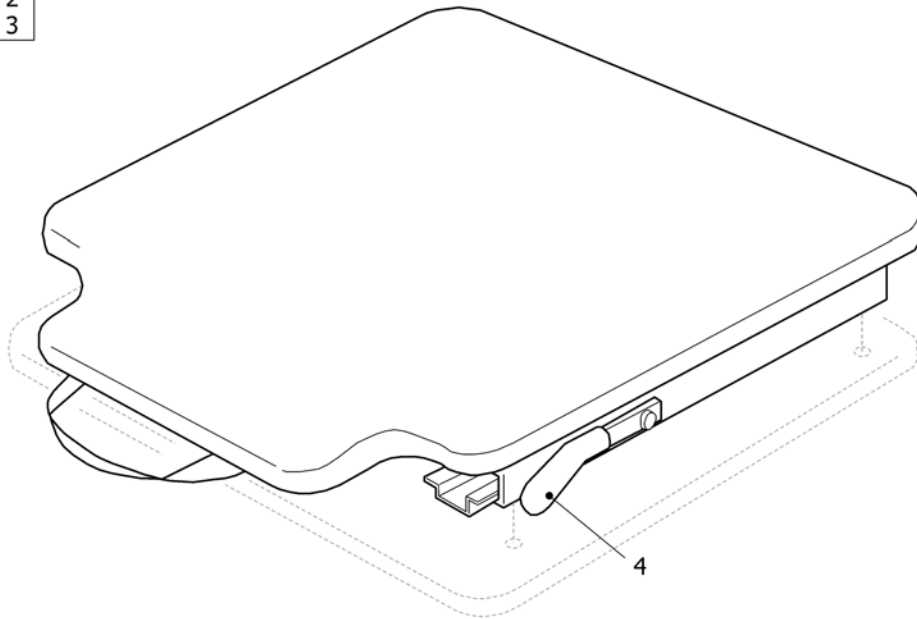
SW (mm)	
Azalea	
340	1
390	2
390 +50	3
390 +100	4
440	3
440 +50	4
440 +100	4
490	4
490 +50	4
490 +100	4
Bellis	
Small 410	2
Medium 460	3
Large 510	4
Dahlia	
390	2
390 +50	3
390 +100	4
440	3
440 +50	4
440 +100	4
490	4
490 +50	4
490 +100	4



5253078

Pos.	Part number	Description	Valid from → until	Qty
1	1510636	INCONTINENCE COVER 330X450, BLACK		1
2	5253078-TR26	INCONTINENCE COVER 380X500, BLACK		1
3	5253079-TR26	Seat Cover, Comfort		1
4	5253080-TR26	INCONTINENCE COVER 480X500, BLACK		1
5	5253617-TR26	INCONTINENCE COVER 530X500, BLACK		1
6	1526617	INCONTINENCE COVER 550X635, BLACK		1
7	1526616	INCONTINENCE COVER 610X635, BLACK		1

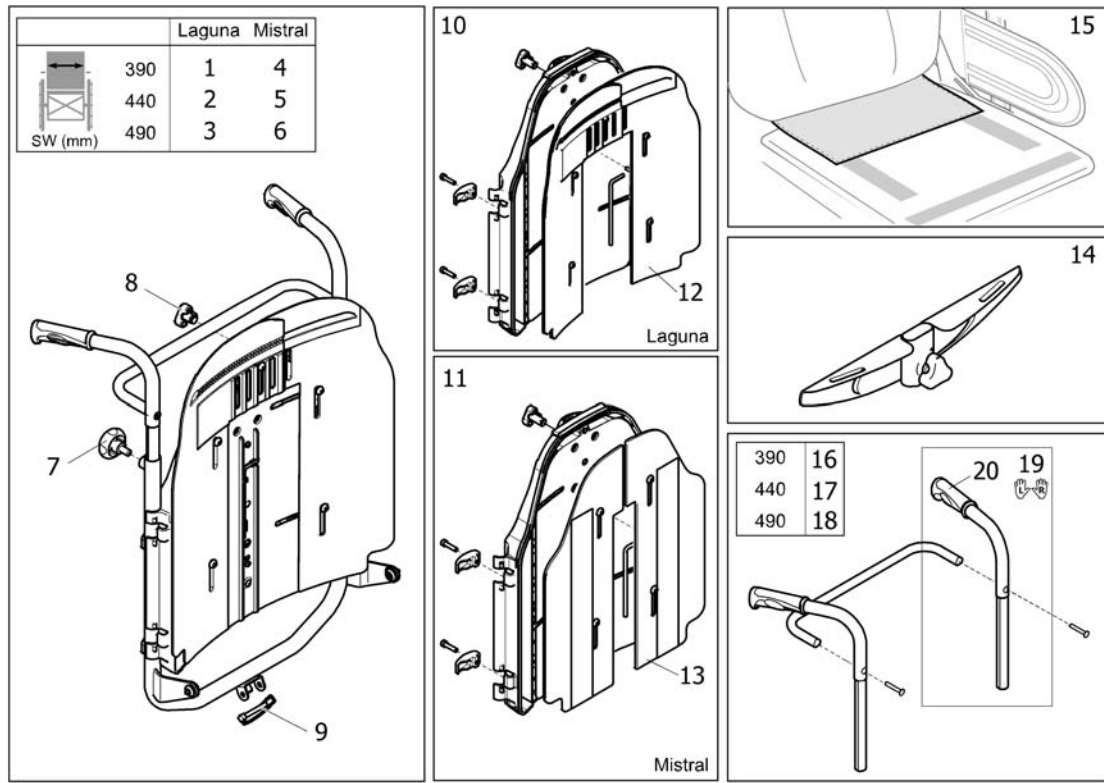
	
SW (cm)	
39	1
44	2
49	3



SP1484576

Pos.	Part number	Description	Valid from → until	Qty
1	SP1484576	Sliding seat 390		1
2	SP1484577	Sliding seat 440		1
3	SP1484578	Sliding seat 490		1
4	SP1492331	HANDLE, SLIDING SEAT, GREEN		1

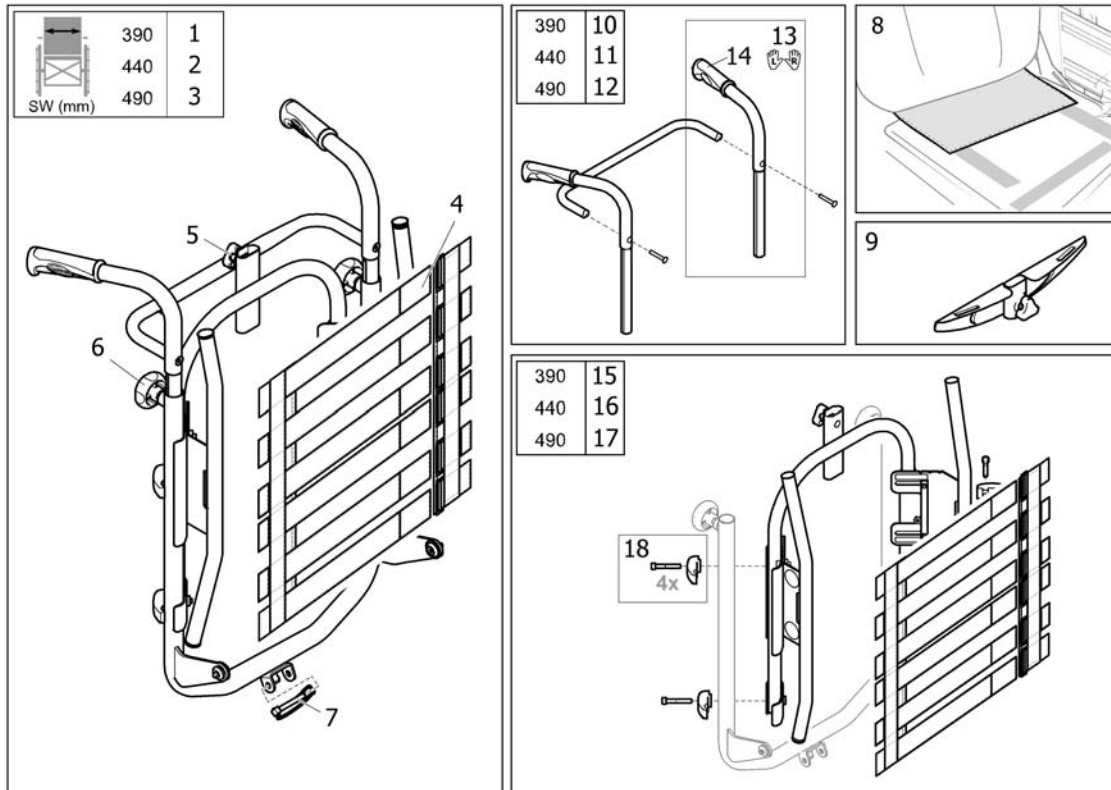
Backrest Flex3



SP1554115

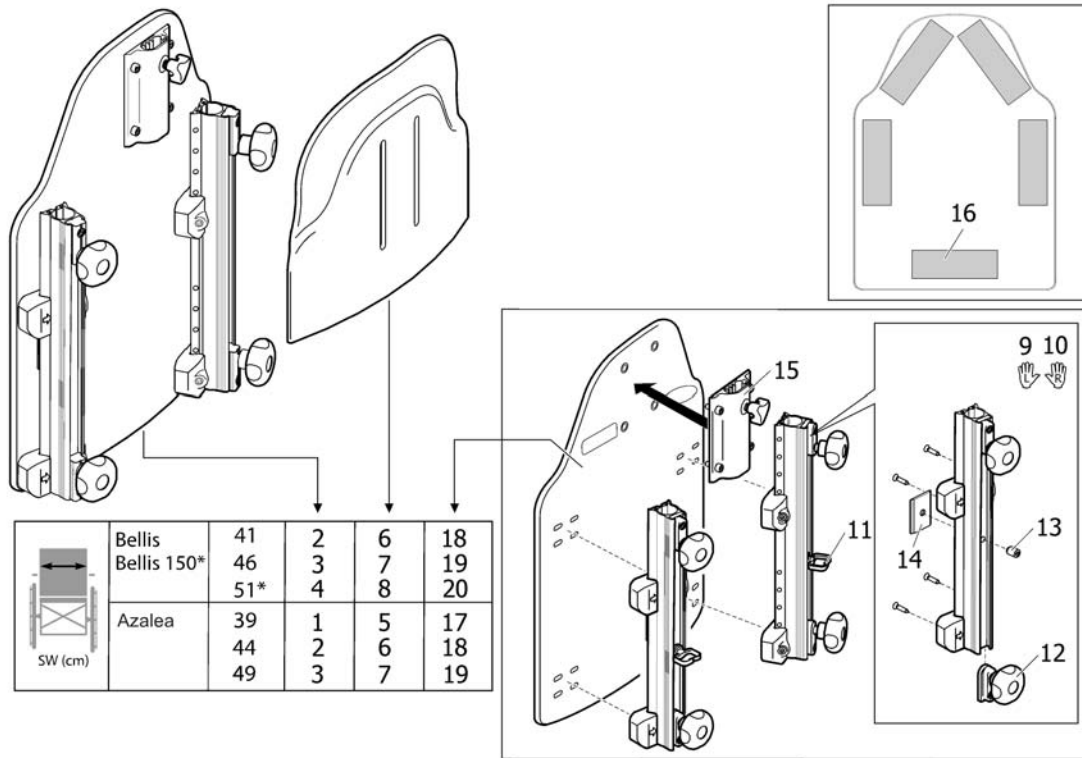
Pos.	Part number	Description	Valid from → until	Qty
1	SP1554115	BACKREST 390 CPL, FLEX3, LAGUNA		1
2	SP1554116	BACKREST 440 CPL, FLEX3, LAGUNA		1
3	SP1554117	BACKREST 490 CPL, FLEX3, LAGUNA		1
4	SP1562152	BACKREST 390 CPL, FLEX3, MISTRAL		1
5	SP1562153	BACKREST 440 CPL, FLEX3, MISTRAL		1
6	SP1562154	BACKREST 490 CPL, FLEX3, MISTRAL		1
7	SP1518478	Handwheel M10, pair		1
8	1497411	Handwheel M12		1
9	1439936	Pin with Loop 8X60		1
10	SP1562142	FLEX 3 HARD BACKREST, KIT LAGUNA		1
11	SP1562143	FLEX 3 HARD BACKREST, KIT MISTRAL 2		1
12	1543737	ADJUSTMENT PLATE CPL, LAGUNA, FLEX3		1
13	1543742	ADJUSTMENT PLATE CPL, MISTRAL, FLEX3		1
14	SP1559963	Attachment, X-harness, Flex3		1
15	SP1543730	Cover, backrest/seat		1
16	SP1571966	PUSH HANDLES 390, FIXED CPL.		1
17	SP1571967	PUSH HANDLES 440, FIXED CPL.		1
18	SP1571968	PUSH HANDLES 490, FIXED CPL.		1
19	SP1572734	PUSH HANDLE CPL., PAIR		1
20	SP1537634	HANDLE 22MM, PAIR		1

Backrest Flex3, tension adj.



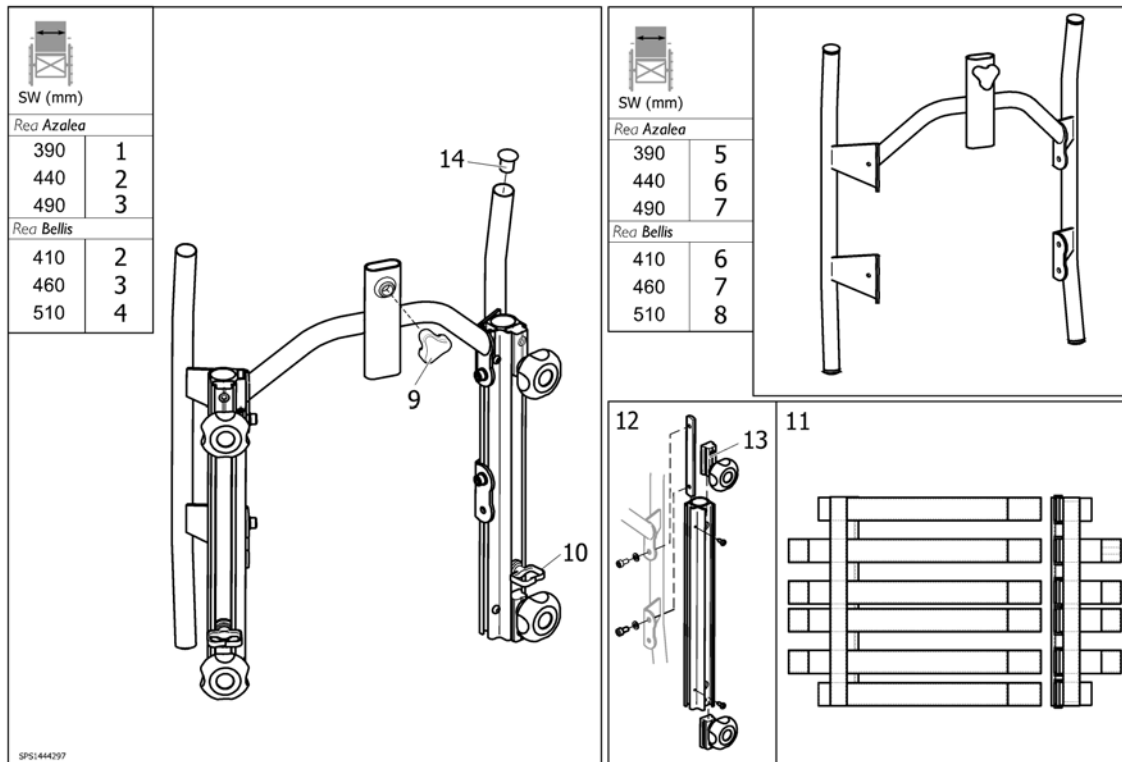
Pos.	Part number	Description	Valid from → until	Qty
1	SP1554118	FLEX 3 TENSION BACKREST, KIT 39		1
2	SP1554119	FLEX 3 TENSION BACKREST, KIT 44		1
3	SP1554120	FLEX 3 TENSION BACKREST, KIT 49		1
4	1549281	BACKREST BODY, ADJ.		1
5	1444175	HANDWHEEL UNLOSEABLE CPL CPL		1
6	SP1518478	Handwheel M10, pair		1
7	1439936	Pin with Loop 8X60		1
8	SP1543730	Cover, backrest/seat		1
9	SP1559963	Attachment, X-harness, Flex3		1
10	SP1571966	PUSH HANDLES 390, FIXED CPL.		1
11	SP1571967	PUSH HANDLES 440, FIXED CPL.		1
12	SP1571968	PUSH HANDLES 490, FIXED CPL.		1
13	SP1572734	PUSH HANDLE CPL., PAIR		1
14	SP1537634	HANDLE 22MM, PAIR		1
15	SP1579675	Flex 3 Backrest, tension adjustable, cpl. - 390mm		1
16	SP1579692	Flex 3 Backrest, tension adjustable, cpl. - 440mm		1
17	SP1579693	Flex 3 Backrest, tension adjustable, cpl. - 490mm		1
18	SP1580557	Mounting Hardware (Kit of 4)		1

Backrest "Flex2", fixed (->2013)



Pos.	Part number	Description	Valid from → until	Qty
1	1440151	BACKREST PLATE Flex2 405X485 CPL		1
2	1440152	BACKREST PLATE Flex2 455X485 CPL		1
3	1440153	BACKREST PLATE Flex2 505X485 CPL		1
4	1440154	BACKREST PLATE "FLEX2" 505x485 CPL		1
5	1440147	EXTENDER 405X290 CPL, BACKREST FLEX2		1
6	1440148	EXTENDER 455X290 CPL, BACKREST FLEX2		1
7	1440149	EXTENDER 505X290 CPL, BACKREST FLEX2		1
8	1440150	EXTENDER 505X290 CPL, BACKREST FLEX 2		1
9	1446009	Rail LH, backrest FLEX2, fixed		1
10	1446008	Rail RH, backrest FLEX2, fixed		1
11	1508131	Wire holder		1
12	5253088	Fixation block		1
13	5723904	Screw MF6S M6x8		1
14	1446015	Stop, backrest rail		1
15	1446010	Bracket for Neck-/Headrest Flex2		1
16	5254139	Velcro hook 150mm		1
17	1507942	BACKREST PLATE 355X485, WITH VELCRO		1
18	1507943	BACKREST PLATE 405X485, WITH VELCRO		1
19	1507944	BACKREST PLATE 455X485, WITH VELCRO		1
20	1507945	BACKREST PLATE 505X485, WITH VELCRO		1


Backrest "Flex2", adj. (->2013)

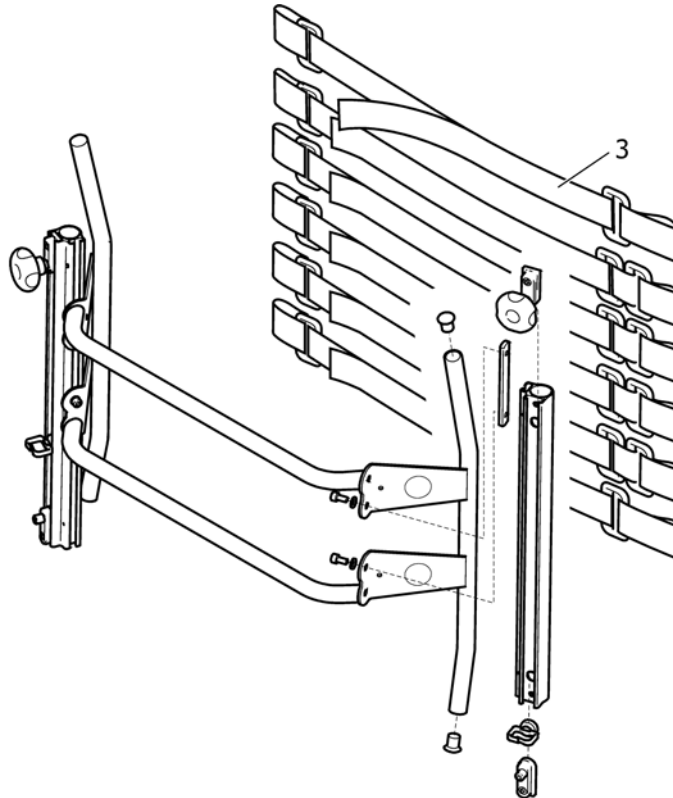


SPS1444297

Pos.	Part number	Description	Valid from → until	Qty
1	SP1445697	Backrest, adjustable 292 (SW 390mm), cpl.		1
2	1445698	Backrest, adjustable 342 (SW 440mm), cpl.		1
3	1445699	Backrest, adjustable 392 (SW 490mm), cpl.		1
4	1445700	BACKREST 442, ADJUSTABLE, CPL.		1
5	1445844-0509	Backrest Frame SW 390mm		1
6	1445845-0509	Backrest Frame SW 440mm		1
7	1445846-0509	Backrest Frame SW 490mm		1
8	1445847-0509	BACKREST FRAME 442 CPL.		1
9	1444175	HANDWHEEL UNLOSEABLE CPL CPL		1
10	1508131	Wire holder		1
11	1445694	Backrest, tension adjustable, SW up to 490mm		1
12	1445848	Backrest Rail, cpl.		1
13	5253088	Fixation block		1
14	5716478	Plastic Sleeve, black		1

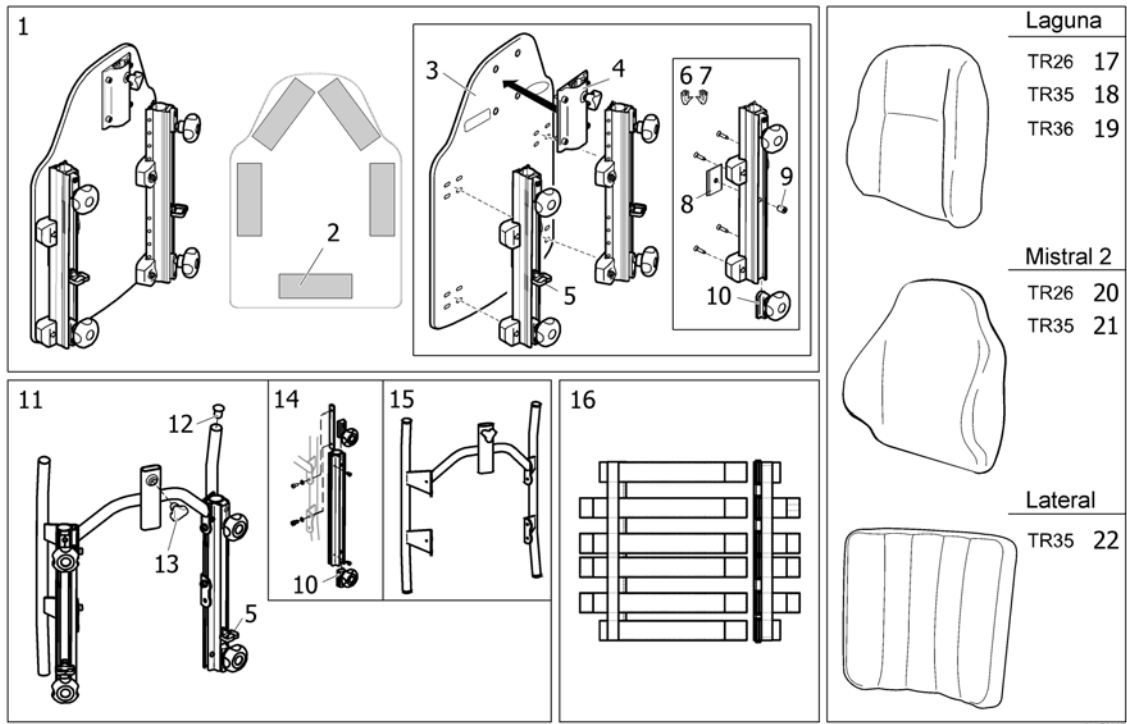
Backrest, Azalea Max

 SW (cm)	
55	1
61	2



Pos.	Part number	Description	Valid from → until	Qty
1	1526824	Backrest 55 Cpl, Azalea Max		1
2	1526823	Backrest 61 Cpl, Azalea Max		1
3	1526308	Backrest Body, Tension Adj, Azalea Max		1

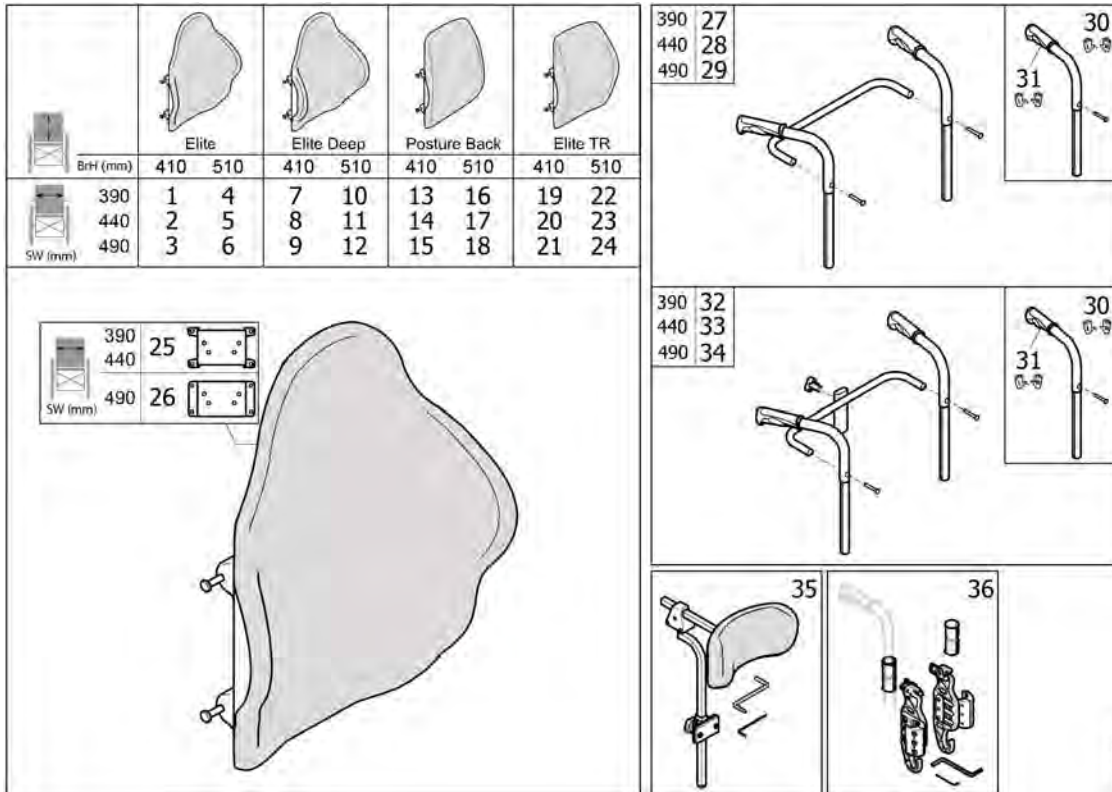
Backrest, Azalea minor



SPS150892

Pos.	Part number	Description	Valid from → until	Qty
1	1510891	Backrest plate Flex2 fixed, cpl.		1
2	5254139	Velcro hook 150mm		1
3	1508958	Backrest plate 34 cpl.		1
4	1446010	Bracket for Neck-/Headrest Flex2		1
5	1508131	Wire holder		1
6	1446009	Rail LH, backrest FLEX2, fixed		1
7	1446008	Rail RH, backrest FLEX2, fixed		1
8	1446015	Stop, backrest rail		1
9	5723904	Screw MF6S M6x8		1
10	5253088	Fixation block		1
11	1543577	Backrest adjustable 292 cpl.		1
12	5716478	Plastic Sleeve, black		1
13	1444175	HANDWHEEL UNLOSEABLE CPL CPL		1
14	1445848	Backrest Rail, cpl.		1
15	1444297-0509	Backrest frame 292		1
16	1445694	Backrest, tension adjustable, SW up to 490mm		1
17	SP1508972-TR26	CUSHION, BACKREST LAGUNA 322X450, DARTEX BLACK		1
18	SP1508972-TR35	CUSHION, BACKREST LAGUNA 322X450, PLUSH BLACK		1
19	SP1508972-TR36	CUSHION, BACKREST LAGUNA 322X450, SPACER BLACK		1
20	SP1431668-TR26	CUSHION, BACKREST MISTRAL2 355X510, DARTEX BLACK		1
21	SP1431668-TR35	CUSHION, BACKREST MISTRAL2 355X510, PLUSH BLACK		1
22	SP1564092	COVER BACKREST 380 CPL.		1

Backrest Matrix

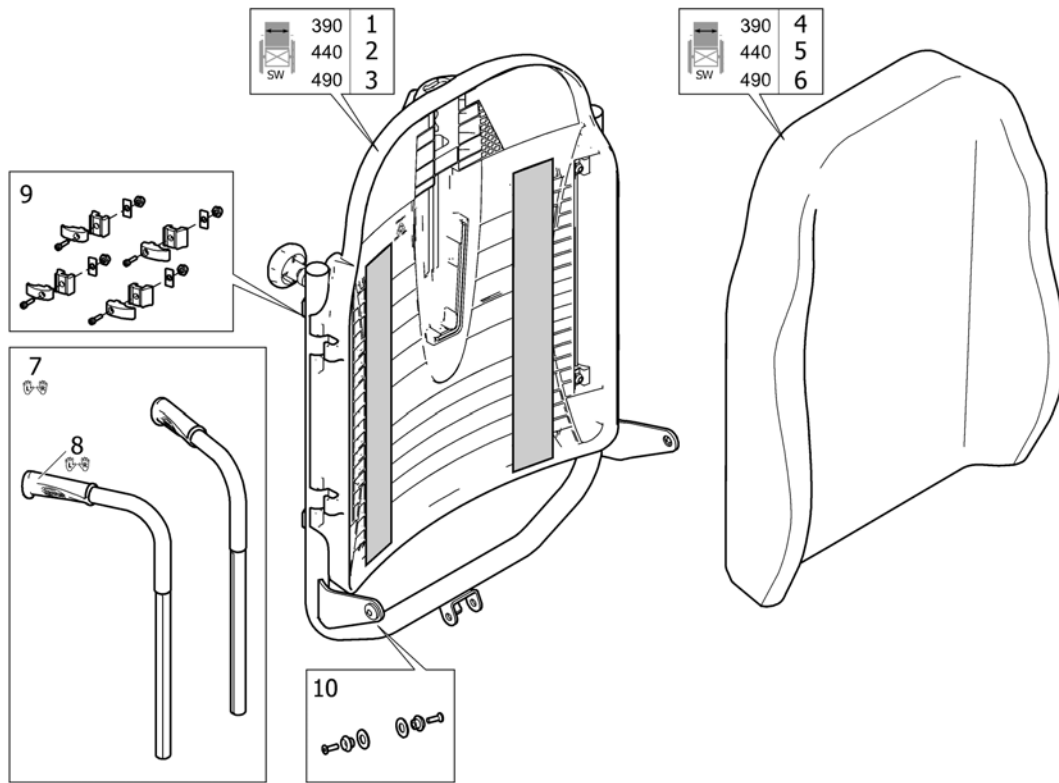


Pos.	Part number	Description	Valid from → until	Qty
1	SP1587286	Backrest 380x405, Matrix Elite		1
2	SP1587287	Backrest 430x405, Matrix Elite		1
3	SP1587288	Backrest 480x405, Matrix Elite		1
4	1532094	Backrest 380x505, Matrix Elite		1
5	1517755	Backrest 430x505, Matrix Elite		1
6	1517757	Matrix Elite Back 19x20", cpl.		1
7	SP1587291	Backrest 380x405, Matrix Elite Deep		1
8	SP1587292	Backrest 430x405, Matrix Elite Deep		1
9	SP1587293	Backrest 480x405, Matrix Elite Deep		1
10	1543511	Elite Deep Back 15x20", cpl.		1
11	1543519	Elite Deep Back 17x20", cpl.		1
12	1543987	Elite Deep Back 19x20", cpl.		1
13	SP1587283	Backrest 405x405, Matrix Posture Back		1
14	SP1587284	Backrest 455x405, Matrix Posture Back		1
15	SP1587285	Backrest 505x405, Matrix Posture Back		1
16	1515728	PB Back 16x20", cpl.		1
17	1515732	PB Back 18x20", cpl.		1
18	1518132	Backrest 510x510, Matrix Posture Back		1
19	SP1586982	Backrest 380x410, Matrix Elite TR		1
20	SP1586984	Backrest 430x410, Matrix Elite TR		1
21	SP1587046	Backrest 480x410, Matrix Elite TR		1
22	SP1587049	Backrest 380x510, Matrix Elite TR		1
23	SP1587128	Backrest 430x510, Matrix Elite TR		1
24	SP1587195	Backrest 480x510, Matrix Elite TR		1
25	1544188	Headrest Shim Kit Deep Back SW410-430mm		1
26	1544187	Headrest Shim Kit Keep Back SW 460-610mm		1
27	SP1571966	PUSH HANDLES 390, FIXED CPL.		1
28	SP1571967	PUSH HANDLES 440, FIXED CPL.		1
29	SP1571968	PUSH HANDLES 490, FIXED CPL.		1
30	SP1572734	PUSH HANDLE CPL., PAIR		1
31	SP1537634	HANDLE 22MM, PAIR		1

Backrest Matrix

Pos.	Part number	Description	Valid from → until	Qty
32	SP1572531	PUSH HANDLES 390, FIXED CPL. (FOR NECK- AND HEADREST)		1
33	SP1572574	PUSH HANDLES 440, FIXED CPL. (FOR NECK- AND HEADREST)		1
34	SP1572575	PUSH HANDLES 490, FIXED CPL. (FOR NECK- AND HEADREST)		1
35	1545274	Matrix 25.5cm Soft Pad Headrest Kit		1
36	SP1545275	Mounting hardware, Matrix Backrest		1

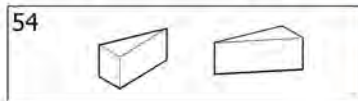
Backrest, Laguna (France only)



Pos.	Part number	Description	Valid from → until	Qty
1	SP1571973	BACKREST 390, LAGUNA, AZALEA		1
2	SP1571974	BACKREST 440, LAGUNA, AZALEA		1
3	SP1571975	BACKREST 490, LAGUNA, AZALEA		1
4	SP1439937-TR26	BACKREST CUSHION, 342X550, LAGUNA, DARTEX BLACK		1
5	SP1427119-TR26	Backrest Cushion Laguna, 402x550mm, Dartex black (TR26)		1
6	SP1427120-TR26	Backrest Cushion Laguna, 452x550mm, Dartex black (TR26)		1
7	SP1572734	PUSH HANDLE CPL., PAIR		1
8	SP1537634	HANDLE 22MM, PAIR		1
9	1518649	FITTING KIT, LAGUNA2		1
10	SP1579941	Screw kit, backrest stay		1

Cushions, Flex3 backrest

BW + ext.	Mistral 2		Laguna			Passad 2			Shoulder high	Multi Functional	Lateral		
	TR26	TR35	TR26	TR35	TR36	TR26	TR35	TR36	TR26		TR26	TR35	TR36
390	1	2	9	10	11	21	22	23	33	36	39	40	41
390 +50	3	4	12	13	14	24	25	26	33	36	39	40	41
390 +100	5	6	15	16	17	24	25	26	33	36	39	40	41
440	3	4	12	13	14	24	25	26	33	37	42	43	44
440 +50	5	6	15	16	17	27	28	29	34	37	42	43	44
440 +100	7	8	18	19	20	27	28	29	34	37	42	43	44
490	5	6	15	16	17	27	28	29	34	38	45	46	47
490 +50	7	8	18	19	20	30	31	32	35	38	45	46	47
490 +100	-	-	-	-	-	-	-	-	-	38	45	46	47
550	-	-	-	-	-	-	-	-	-	-	48	49	50
610	-	-	-	-	-	-	-	-	-	-	51	52	53



	Färg	Colour	Farbe	Couleur
TR26	dartex svart	dartex black	dartex schwarz	dartex noir
TR35	plysch svart	plysch black	plusch schwarz	velours noir
TR36	spacer svart	spacer black	spacer schwarz	spacer noir


3001194180



Pos.	Part number	Description	Valid from → until	Qty
1	SP1431668-TR26	CUSHION, BACKREST MISTRAL2 355X510, DARTEX BLACK		1
2	SP1431668-TR35	CUSHION, BACKREST MISTRAL2 355X510, PLUSH BLACK		1
3	SP1424651-TR26	CUSHION, BACKREST MISTRAL2 405X510, DARTEX BLACK		1
4	SP1424651-TR35	CUSHION, BACKREST MISTRAL2 405X510, PLUSH BLACK		1
5	SP1424652-TR26	CUSHION, BACKREST MISTRAL2 455X510, DARTEX BLACK		1
6	SP1424652-TR35	CUSHION, BACKREST MISTRAL2 455X510, PLUSH BLACK		1
7	SP1424653-TR26	CUSHION, BACKREST MISTRAL2 505X510, DARTEX BLACK		1
8	SP1424653-TR35	CUSHION, BACKREST MISTRAL2 505X510, PLUSH BLACK		1
9	SP1427118-TR26	Backrest Cushion Laguna, 372x550mm, Dartex black (TR26)		1
10	SP1427118-TR35	CUSHION, BACKREST LAGUNA 372X550, PLUSH BLACK		1
11	SP1427118-TR36	Backrest Cushion Laguna, Spacer black - SW 380mm		1
12	SP1427119-TR26	Backrest Cushion Laguna, 402x550mm, Dartex black (TR26)		1
13	SP1427119-TR35	BACKREST CUSHION 402X550, LAGUNA, PLUSH BLACK		1
14	SP1427119-TR36	Backrest Cushion Laguna, Spacer black - SW 430mm		1
15	SP1427120-TR26	Backrest Cushion Laguna, 452x550mm, Dartex black (TR26)		1
16	SP1427120-TR35	BACKREST CUSHION 452X550, LAGUNA, PLUSH BLACK		1
17	SP1427120-TR36	Backrest Cushion Laguna, Spacer black - SW 480mm		1
18	SP1427121-TR26	Backrest Cushion Laguna, 492x550mm, Dartex black (TR26)		1
19	SP1427121-TR35	BACKREST CUSHION 492X550, LAGUNA, PLUSH BLACK		1
20	SP1427121-TR36	Backrest Cushion Laguna, Spacer black - SW 530mm		1
21	SP1429271-TR26	BACKREST CUSHION 440X550, PASSAD2, DARTEX BLACK		1
22	SP1429271-TR35	BACKREST CUSHION 440X550, PASSAD2, PLUSH BLACK		1
23	SP1429271-TR36	BACKREST CUSHION 440X550, PASSAD2, SPACER BLACK		1
24	SP1424647-TR26	BACKREST CUSHION 470X550, PASSAD2, DARTEX BLACK		1
25	SP1424647-TR35	BACKREST CUSHION 470X550, PASSAD2, PLUSH BLACK		1
26	SP1424647-TR36	BACKREST CUSHION 470X550, PASSAD2, SPACER BLACK		1
27	SP1424649-TR26	BACKREST CUSHION 520X550, PASSAD2, DARTEX BLACK		1
28	SP1424649-TR35	BACKREST CUSHION 520X550, PASSAD2, PLUSH BLACK		1
29	SP1424649-TR36	BACKREST CUSHION 520X550, PASSAD2, SPACER BLACK		1
30	SP1429278-TR26	BACKREST CUSHION 580X550, PASSAD2, DARTEX BLACK		1
31	SP1429278-TR35	BACKREST CUSHION 580X550, PASSAD2, PLUSH BLACK		1

Cushions, Flex3 backrest

Pos.	Part number	Description	Valid from → until	Qty
32	SP1429278-TR36	BACKREST CUSHION 580X550, PASSAD2, SPACER BLACK		1
33	SP1444275-TR26	BACKREST CUSHION 440X650, SHOULDER HIGH, DARTEX BLACK		1
34	SP1444277-TR26	BACKREST CUSHION 520X650, SHOULDER HIGH, DARTEX BLACK		1
35	SP1444278-TR26	BACKREST CUSHION 580X650, SHOULDER HIGH, DARTEX BLACK		1
36	1435592	BACKREST CUSHION 370X540, VICAIR MF, DARTEX GREY		1
37	1445741	BACKREST CUSHION 400X540, VICAIR MF, DARTEX GREY		1
38	1445742	BACKREST CUSHION 450X540, VICAIR MF, DARTEX GREY		1
39	SP1589929-TR26	COVER LATERAL 475X540 DARTEX BLACK		1
40	SP1589929-TR35	COVER LATERAL 475X540 PLUSH BLACK		1
41	SP1589929-TR36	COVER LATERAL 475X540 SPACER BLACK		1
42	SP1589930-TR26	COVER LATERAL 525X540 DARTEX BLACK		1
43	SP1589930-TR35	COVER LATERAL 525X540 PLUSH BLACK		1
44	SP1589930-TR36	COVER LATERAL 525X540 SPACER BLACK		1
45	SP1589941-TR26	COVER LATERAL 575X540 DARTEX BLACK		1
46	SP1589941-TR35	COVER LATERAL 575X540 PLUSH BLACK		1
47	SP1589941-TR36	COVER LATERAL 575X540 SPACER BLACK		1
48	SP1590023-TR26	COVER LATERAL 665X540 DARTEX BLACK		1
49	SP1590023-TR35	COVER LATERAL 665X540 PLUSH BLACK		1
50	SP1590023-TR36	COVER LATERAL 665X540 SPACER BLACK		1
51	SP1590024-TR26	COVER LATERAL 725X540 DARTEX BLACK		1
52	SP1590024-TR35	COVER LATERAL 725X540 PLUSH BLACK		1
53	SP1590024-TR36	COVER LATERAL 725X540 SPACER BLACK		1
54	SP1513037	WEDGES, PAIR		1

Cushions, Flex2 backrest

 BW + ext.		Mistral 2		Laguna			Passad 2			Shoulder high	Multi Functional	Lateral	
		TR26	TR35	TR26	TR35	TR36	TR26	TR35	TR36	TR26		TR26	TR35
340		1	2	9	10	11	-	-	-	-	-	-	58
390		3	4	12	13	14	25	26	27	37	41	44	45
390	+50	5	6	15	16	17	28	29	30	38	42	46	47
390	+100	7	8	18	19	20	31	32	33	39	43	48	49
440		5	6	15	16	17	28	29	30	38	42	46	47
440	+50	7	8	18	19	20	31	32	33	39	43	48	49
440	+100	-	-	21	22	-	34	35	36	40	-	50	51
490		7	8	18	19	20	31	32	33	39	43	48	49
490	+50	-	-	21	22	-	34	35	36	40	-	50	51
490	+100	-	-	23	24	-	-	-	-	-	-	52	53
550		-	-	21	22	-	-	-	-	-	-	50	51
550	+50	-	-	23	24	-	-	-	-	-	-	52	53
550	+100	-	-	-	-	-	-	-	-	-	-	54	55
610		-	-	-	-	-	-	-	-	-	-	52	53
610	+50	-	-	-	-	-	-	-	-	-	-	54	55
610	+100	-	-	-	-	-	-	-	-	-	-	56	57

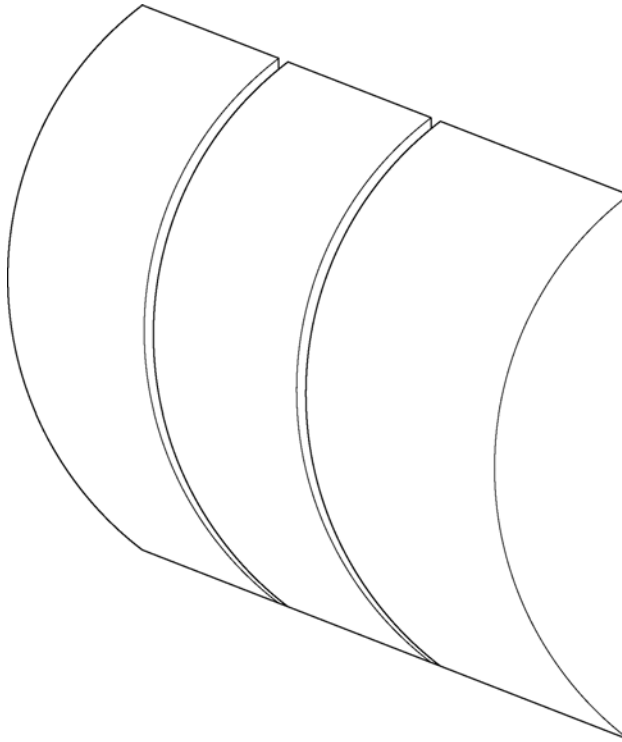
59		Färg	Colour	Farbe	Couleur
		TR26	dartex svart	dartex schwarz	dartex noir
		TR35	plysch svart	plysch black	plüsch schwarz
		TR36	spacer svart	spacer black	spacer schwarz

609091545

Pos.	Part number	Description	Valid from → until	Qty
1	SP1431668-TR26	CUSHION, BACKREST MISTRAL2 355X510, DARTEX BLACK		1
2	SP1431668-TR35	CUSHION, BACKREST MISTRAL2 355X510, PLUSH BLACK		1
3	SP1424651-TR26	CUSHION, BACKREST MISTRAL2 405X510, DARTEX BLACK		1
4	SP1424651-TR35	CUSHION, BACKREST MISTRAL2 405X510, PLUSH BLACK		1
5	SP1424652-TR26	CUSHION, BACKREST MISTRAL2 455X510, DARTEX BLACK		1
6	SP1424652-TR35	CUSHION, BACKREST MISTRAL2 455X510, PLUSH BLACK		1
7	SP1424653-TR26	CUSHION, BACKREST MISTRAL2 505X510, DARTEX BLACK		1
8	SP1424653-TR35	CUSHION, BACKREST MISTRAL2 505X510, PLUSH BLACK		1
9	SP1508972-TR26	CUSHION, BACKREST LAGUNA 322X450, DARTEX BLACK		1
10	SP1508972-TR35	CUSHION, BACKREST LAGUNA 322X450, PLUSH BLACK		1
11	SP1508972-TR36	CUSHION, BACKREST LAGUNA 322X450, SPACER BLACK		1
12	SP1427119-TR26	Backrest Cushion Laguna, 402x550mm, Dartex black (TR26)		1
13	SP1427119-TR35	BACKREST CUSHION 402X550, LAGUNA, PLUSH BLACK		1
14	SP1427119-TR36	Backrest Cushion Laguna, Spacer black - SW 430mm		1
15	SP1427120-TR26	Backrest Cushion Laguna, 452x550mm, Dartex black (TR26)		1
16	SP1427120-TR35	BACKREST CUSHION 452X550, LAGUNA, PLUSH BLACK		1
17	SP1427120-TR36	Backrest Cushion Laguna, Spacer black - SW 480mm		1
18	SP1427121-TR26	Backrest Cushion Laguna, 492x550mm, Dartex black (TR26)		1
19	SP1427121-TR35	BACKREST CUSHION 492X550, LAGUNA, PLUSH BLACK		1
20	SP1427121-TR36	Backrest Cushion Laguna, Spacer black - SW 530mm		1
21	SP1525073-TR26	BACKREST CUSHION 560X550, LAGUNA, DARTEX BLACK		1
22	SP1525073-TR35	BACKREST CUSHION 560X550, LAGUNA, PLUSH BLACK		1
23	SP1525075-TR26	CUSHION, BACKREST LAGUNA 620X550, DARTEX BLACK		1
24	SP1525075-TR35	CUSHION, BACKREST LAGUNA 620X550, PLUSH BLACK		1
25	SP1429271-TR26	BACKREST CUSHION 440X550, PASSAD2, DARTEX BLACK		1
26	SP1429271-TR35	BACKREST CUSHION 440X550, PASSAD2, PLUSH BLACK		1
27	SP1429271-TR36	BACKREST CUSHION 440X550, PASSAD2, SPACER BLACK		1
28	SP1424647-TR26	BACKREST CUSHION 470X550, PASSAD2, DARTEX BLACK		1
29	SP1424647-TR35	BACKREST CUSHION 470X550, PASSAD2, PLUSH BLACK		1
30	SP1424647-TR36	BACKREST CUSHION 470X550, PASSAD2, SPACER BLACK		1
31	SP1424649-TR26	BACKREST CUSHION 520X550, PASSAD2, DARTEX BLACK		1

Cushions, Flex2 backrest

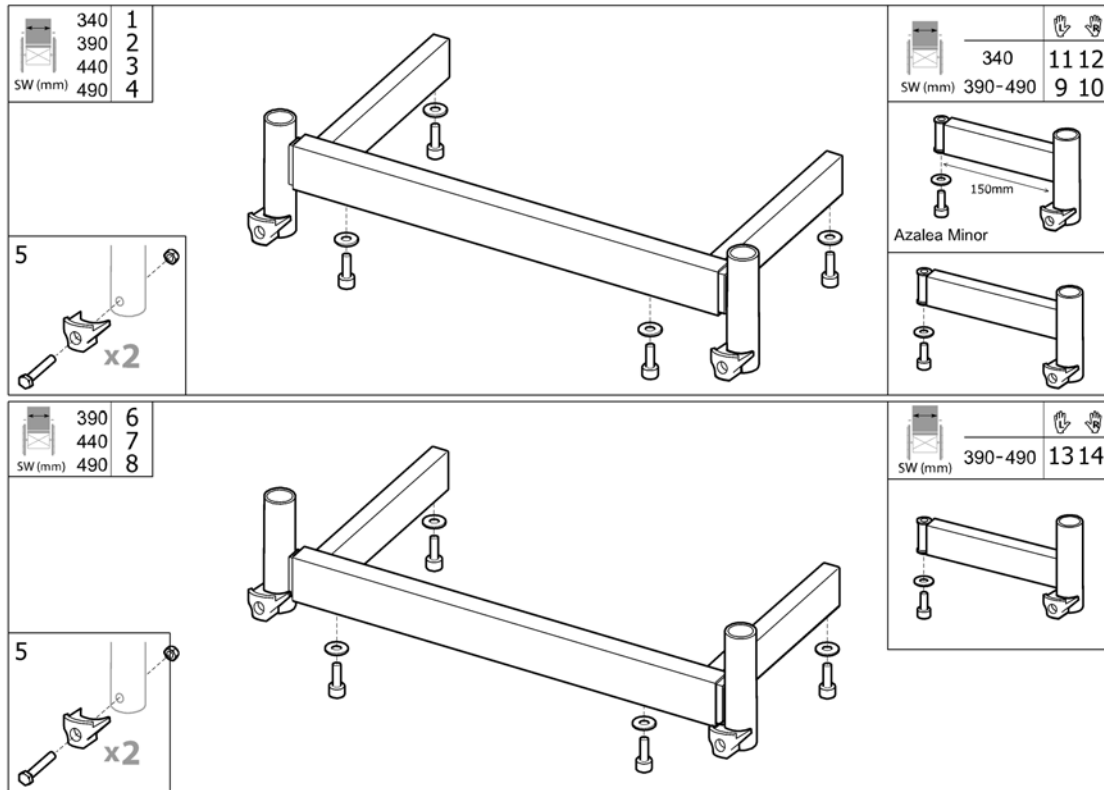
Pos.	Part number	Description	Valid from → until	Qty
32	SP1424649-TR35	BACKREST CUSHION 520X550, PASSAD2, PLUSH BLACK		1
33	SP1424649-TR36	BACKREST CUSHION 520X550, PASSAD2, SPACER BLACK		1
34	SP1429278-TR26	BACKREST CUSHION 580X550, PASSAD2, DARTEX BLACK		1
35	SP1429278-TR35	BACKREST CUSHION 580X550, PASSAD2, PLUSH BLACK		1
36	SP1429278-TR36	BACKREST CUSHION 580X550, PASSAD2, SPACER BLACK		1
37	SP1444275-TR26	BACKREST CUSHION 440X650, SHOULDER HIGH, DARTEX BLACK		1
38	SP1444276-TR26	BACKREST CUSHION 470X650, SHOULDER HIGH, DARTEX BLACK		1
39	SP1444277-TR26	BACKREST CUSHION 520X650, SHOULDER HIGH, DARTEX BLACK		1
40	SP1444278-TR26	BACKREST CUSHION 580X650, SHOULDER HIGH, DARTEX BLACK		1
41	1445741	BACKREST CUSHION 400X540, VICAIR MF, DARTEX GREY		1
42	1445742	BACKREST CUSHION 450X540, VICAIR MF, DARTEX GREY		1
43	1445743	BACKREST CUSHION 500X540, VICAIR MF, DARTEX GREY		1
44	SP1574717	COVER LATERAL 425X540, DARTEX BLACK		1
45	SP1574718	COVER LATERAL 425X540, PLUSH BLACK		1
46	SP1589929-TR26	COVER LATERAL 475X540 DARTEX BLACK		1
47	SP1589929-TR35	COVER LATERAL 475X540 PLUSH BLACK		1
48	SP1589930-TR26	COVER LATERAL 525X540 DARTEX BLACK		1
49	SP1589930-TR35	COVER LATERAL 525X540 PLUSH BLACK		1
50	SP1589941-TR26	COVER LATERAL 575X540 DARTEX BLACK		1
51	SP1589941-TR35	COVER LATERAL 575X540 PLUSH BLACK		1
52	SP1543673	COVER, LATERAL 625X540, DARTEX BLACK		1
53	SP1543674	COVER, LATERAL 625X540, PLUSH BLACK		1
54	SP1590023-TR26	COVER LATERAL 665X540 DARTEX BLACK		1
55	SP1590023-TR35	COVER LATERAL 665X540 PLUSH BLACK		1
56	SP1590024-TR26	COVER LATERAL 725X540 DARTEX BLACK		1
57	SP1590024-TR35	COVER LATERAL 725X540 PLUSH BLACK		1
58	SP1564092	COVER BACKREST 380 CPL.		1
59	SP1513037	WEDGES, PAIR		1

Curvature cushion

SPS5295081

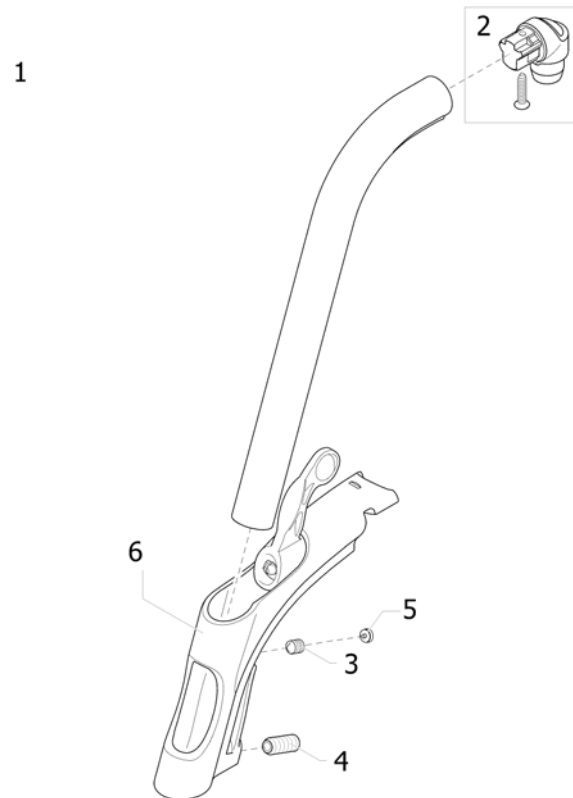
Pos.	Part number	Description	Valid from → until	Qty
1	5252527	CURVATURE CUSHION F BACK		1

Legrest attachment



8886441505

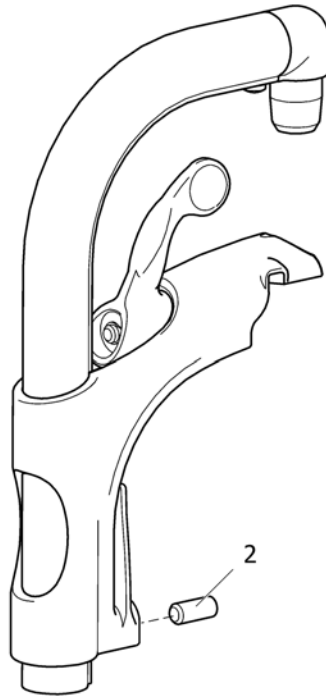
Pos.	Part number	Description	Valid from → until	Qty
1	1508926-0509	Hanger attachment 340 adj, cpl.		1
2	1449888-0509	Hanger attachment 390 adj, cpl.		1
3	1449889-0509	Hanger attachment 440 adj, cpl.		1
4	1449890-0509	Hanger attachment 490 adj, cpl.		1
5	1508091	KIT, LEGREST ATTACHM. BLOCK PAIR		1
6	SP1574112	Hanger attachment 390 adj, high, cpl.		1
7	SP1574113	Hanger attachment 440 adj, high, cpl.		1
8	SP1574114	Hanger attachment 490 adj, high, cpl.		1
9	SP1579059	Legrest support, LH, cpl.		1
10	SP1579440	Legrest support, RH, cpl.		1
11	SP1513015	Legrest support, LH, Azalea Minor, cpl.		1
12	SP1513016	Legrest support, RH, Azalea Minor, cpl.		1
13	SP1574125	Legrest support, high, LH, cpl.		1
14	SP1574124	Legrest support, high, RH, cpl.		1

Legrest 80° Alu2003, Fixed

Pos.	Part number	Description	Valid from → until	Qty
1	1493055-0509	Hanger Alu2003,Fixed 80 Deg,Cpl		1
2	1430426	Attachment Tap, Hanger		1
3	1424572	Stop Screw S6Ss M10x12 Din 914 Din 914/Iso 4027		1
4	1424571	Spring Screw M10X23		1
5	1435741	Plug Ikpt 8-5,5 S		1
6	1434362	Locking House Cpl, Hanger 80 Deg		1

Legrest 90° Alu2003, Fixed

1

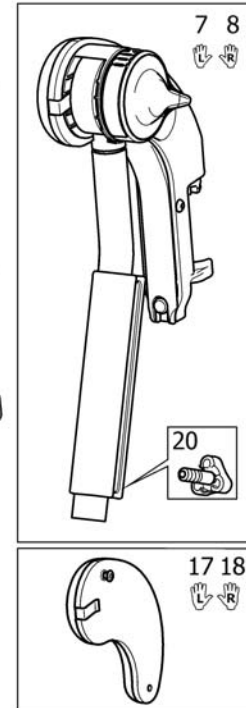
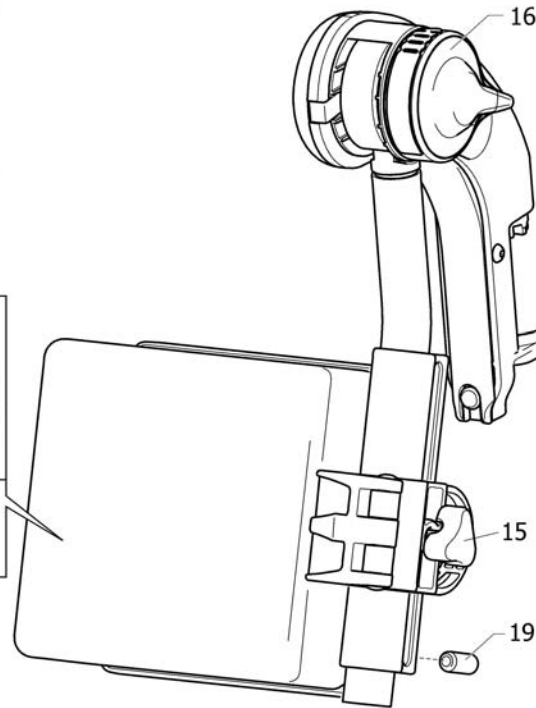
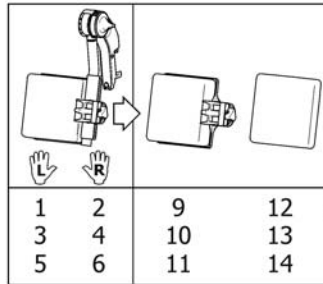


SPS1403056

Pos.	Part number	Description	Valid from → until	Qty
1	1493056-0509	HANGER FIXED 90		1
2	1424571	Spring Screw M10X23		1

Legrest AA, ALU2008

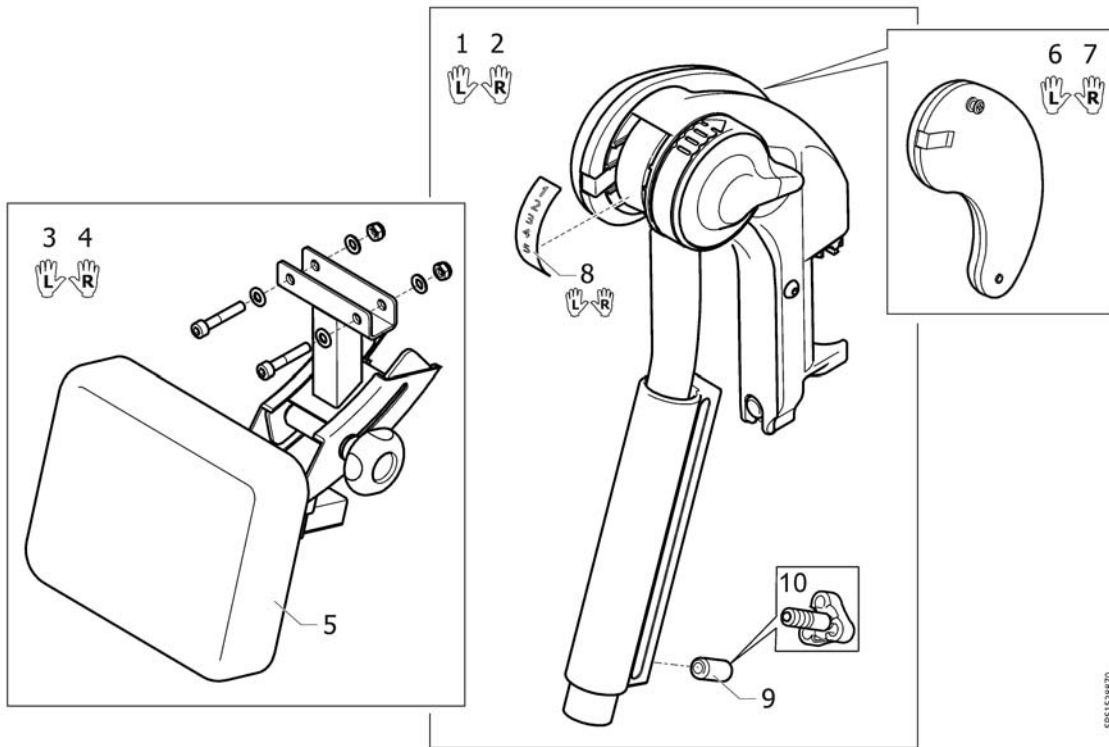
	SW(mm)	L	R
Azalea, Clematis, Dahlia	340-390	1	2
	440	3	4
	490	5	6
Bellis, Bellis 150	390-430 (S)	3	4
	440-480 (M)	5	6
	490-530 (L)	5	6



SP5131007

Pos.	Part number	Description	Valid from → until	Qty
1	1524984	HANGER (+ CALFPAD 12), LE, AA ALU2008 LEGREST		1
2	1524985	HANGER (+ CALFPAD 12), RI, AA ALU2008 LEGREST		1
3	1524986	HANGER (+ CALFPAD 15), LE, AA ALU2008 LEGREST		1
4	1524987	HANGER (+ CALFPAD 15), RI, AA ALU2008 LEGREST		1
5	1524988	HANGER (+ CALFPAD 18), LE, AA ALU2008 LEGREST		1
6	1524989	HANGER (+ CALFPAD 18), RI, AA ALU2008 LEGREST		1
7	1513007	Hanger, angleadjustable, LH		1
8	1513006	Hanger, angleadjustable, RH		1
9	1516313	CALF PAD 12 (140x170x80), CPL.		1
10	1516314	Calfpad 19, Dartex black, cpl.		1
11	1516315	CALF PAD 18 (190x170x80), CPL		1
12	1445763	PAD, CALFSUPPORT 12 CPL, DARTEX BLACK		1
13	1445764	PAD, CALFSUPPORT 15 CPL, DARTEX BLACK		1
14	1445765	PAD, CALFSUPPORT 18 CPL, DARTEX BLACK		1
15	1429215	Handwheel M8		1
16	1508943	Cap, Alu2008 Legrest		1
17	1513671	KNEEPAD (INCL SCREW), LE, AA LEGREST ALU2008	2008-10-01 →	1
18	1513716	KNEEPAD (INCL SCREW), RI, AA LEGREST ALU2008	2008-10-01 →	1
19	1424571	Spring Screw M10X23		1
20	1429326	Handwheel M10, Spring		1

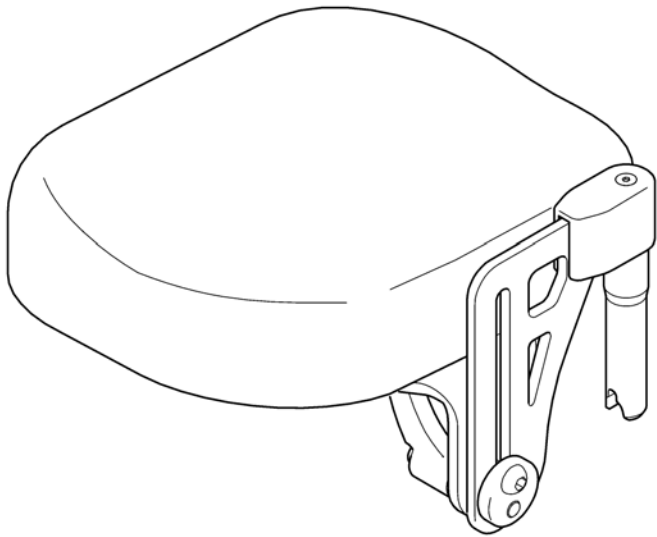
Legrest AA, Azalea Max



SP51528870

Pos.	Part number	Description	Valid from → until	Qty
1	1528870	Hanger AA, Left, Cpl, Azalea Max		1
2	1528871	Hanger AA, Right, Cpl, Azalea Max		1
3	1525057	Calf Pad Cpl, Le, Azalea Max		1
4	1525058	Calf Pad Cpl, Ri, Azalea Max		1
5	1525059	Pad Cpl, Calf Pad, Azalea Max		1
6	1513671	KNEEPAD (INCL SCREW), LE, AA LEGREST ALU2008		1
7	1513716	KNEEPAD (INCL SCREW), RI, AA LEGREST ALU2008		1
8	1535458	Sticker Kit, Hanger Aa, Azalea Max		1
9	1424571	Spring Screw M10X23		1
10	1429326	Handwheel M10, Spring		1

1 2
👤 👤

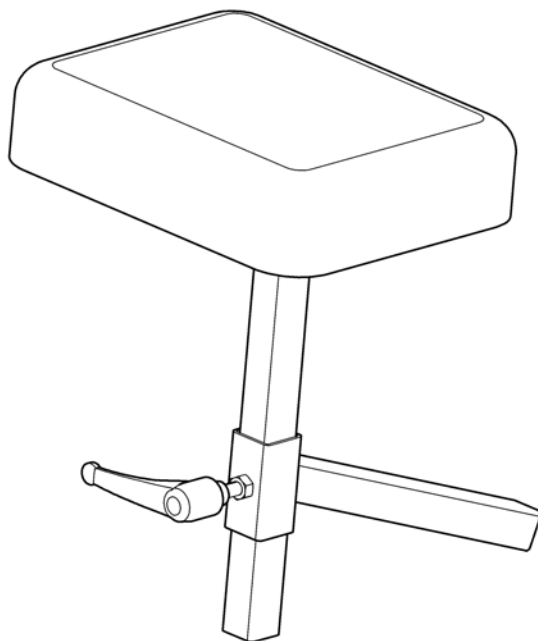


06241526

Pos.	Part number	Description	Valid from → until	Qty
1	1442991	LH AMPUTEE LEGREST		1
2	1442990	RH AMPUTEE LEGREST		1

Amputee legrest, Azalea Max

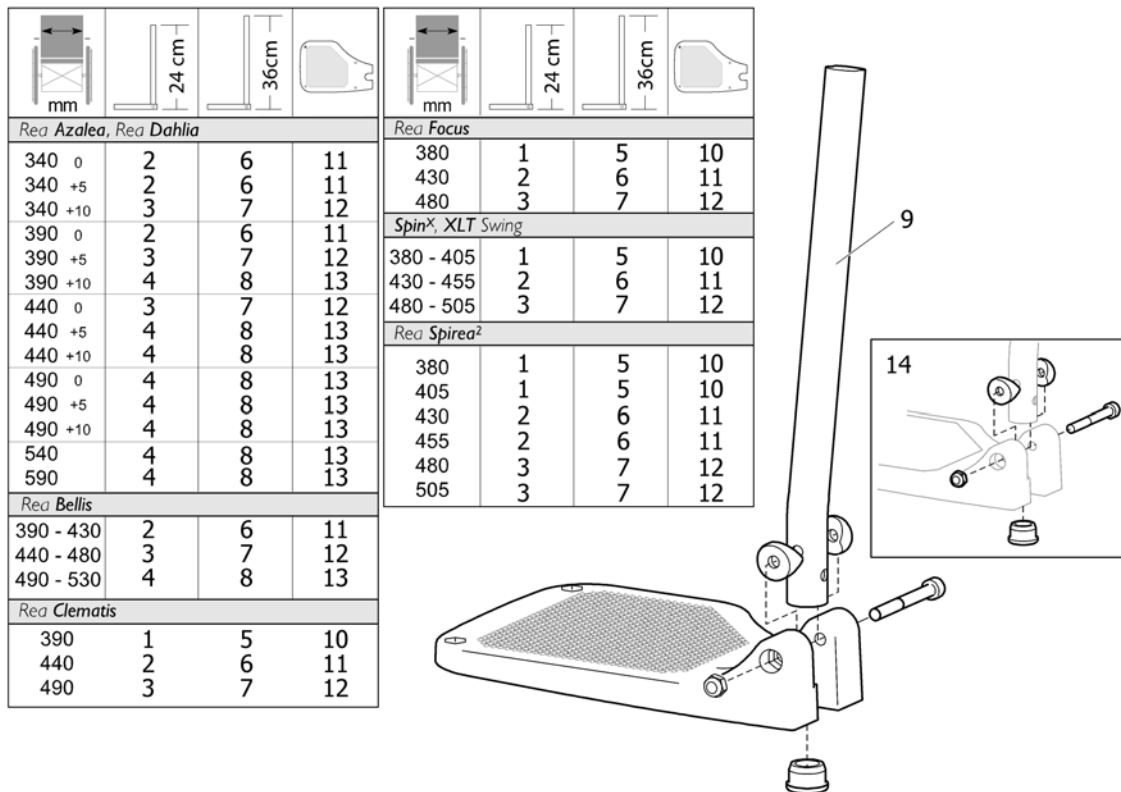
1



SPS1563433

Pos.	Part number	Description	Valid from → until	Qty
1	SP1563433	Amputee legrest, Azalea Max		1

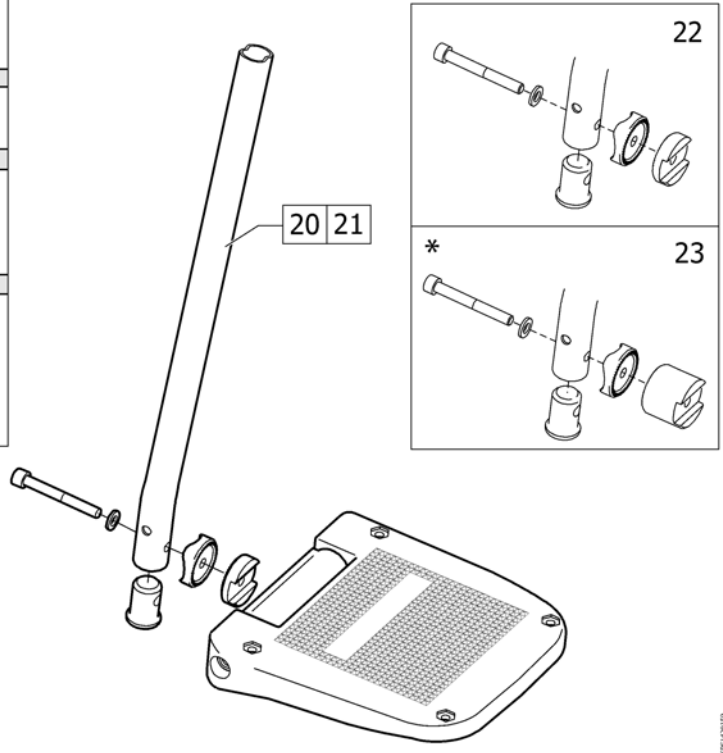
Footrest, fixed, Alu2003



Pos.	Part number	Description	Valid from → until	Qty
1	1428357	FOOTREST 19, "ALU2003", FIXED, SHORT, LEFT		1
1	1428358	FOOTREST 19, "ALU2003", FIXED, SHORT, RIGHT		1
2	1428361	FOOTREST 21ALU2003,LOWER PART,FIXED,SHORT,LEFT		1
2	1428362	FOOTREST 21ALU2003,LOWER PART,FIXED,SHORT,RIGHT		1
3	1428365	FOOTREST 24ALU2003,LOWER PART,FIXED,SHORT,LEFT		1
3	1428366	FOOTREST 24ALU2003,LOWER PART,FIXED,SHORT,RIGHT		1
4	1435756	FOOTREST 27ALU2003,LOWER PART,FIXED,SHORT,LEFT		1
4	1435757	FOOTREST 27ALU2003,LOWER PART,FIXED,SHORT,RIGHT		1
5	1428359	FOOTREST 19, "ALU2003", FIXED, LONG, LEFT		1
5	1428360	FOOTREST 19, "ALU2003", FIXED, LONG, RIGHT		1
6	1428363	LOWER FOOTREST STANDARD WITH HEELSTRAP, width 43-45,5cm, LEFT		1
6	1428364	LOWER FOOTREST STANDARD, WITH HEELSTRAP, width 43-45,5cm, RIGHT		1
7	1428367	Footrest 24 Fixed, Long, Lh, Alu2003		1
7	SP1428368	Footrest 24 Fixed, Long, Rh, Alu2003		1
8	1435659	FOOTREST 27ALU2003,LOWER PART,FIXED,LONG,LEFT		1
8	1435660	FOOTREST 27ALU2003,LOWER PART,FIXED,LONG,RIGHT		1
9	1434561-0010	Insert tube - short		1
9	1434563-0010	Insert tube - long		1
10	1428340	Footplate 19 Lh		1
10	1428341	Footplate 19 Rh		1
11	1424574	Footplate 21 Lh		1
11	1424575	Footplate 21 Rh		1
12	1428346	Footplate 24 Lh		1
12	1428347	Footplate 24 Rh		1
13	1428374	FOOTPLATE 26, LEFT		1
13	1428375	FOOTPLATE 26, RIGHT		1
14	1430433	Screw Kit, Footrest Fixed		1

Footrest, AA, Alu2003

Rea Azalea				Rea Focus			
mm	24 cm	36 cm	mm	24 cm	36 cm	mm	24 cm
340 0	4	11	18	380	2	9	16
340 +5	4	11	18	430	4	11	18
340 +10	5	12	19	480	6*	13*	18
<i>Spin®, XLT Swing</i>							
390 0	4	11	18	330 - 355	1	8	15
390 +5	5	12	19	380 - 405	2	9	16
390 +10	6*	13	18	430 - 455	4	11	18
440 0	5	12	19	480	6*	13*	18
440 +5	6*	13	18	505	7*	14*	19
440 +10	7*	14	19	<i>Rea Spirea®, Rea Spirea® NG</i>			
490 0	6*	13	18	355	1	8	15
490 +5	7*	14	19	380	2	9	16
490 +10	7*	14	19	405	3	10	17
540	7*	14*	19	430	4	11	18
590	7*	14*	19	455	5	12	19
<i>Rea Bellis</i>				480	6*	13*	18
390 - 430	5	12	19	505	7*	14*	19
440 - 480	7*	14*	19				
490 - 530	7*	14*	19				
<i>Rea Clematis</i>							
390	3	10	17				
440	5	12	19				
490	7*	14*	19				



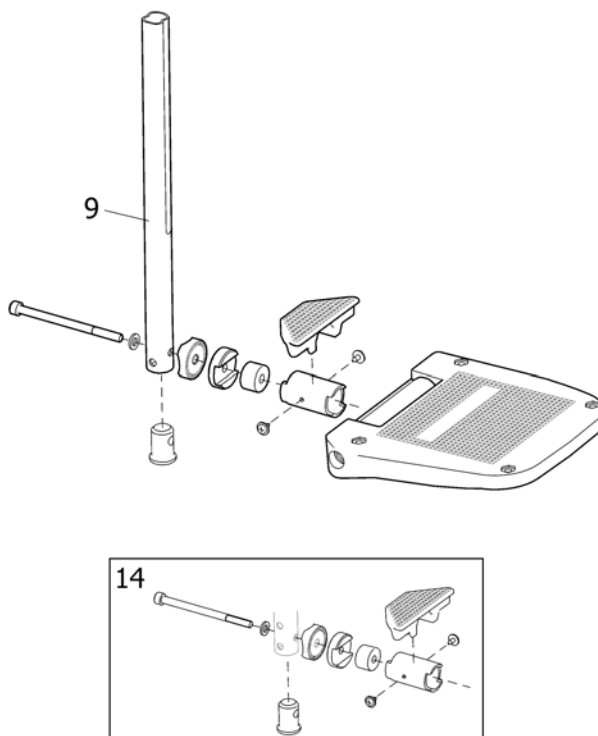
Pos.	Part number	Description	Valid from → until	Qty
1	1485430	Footrest 12 Short, Le, "Alu2003"		1
1	1485524	Footrest 12 Short, Ri, "Alu2003"		1
2	1429159	Footrest 14 aa, "Alu2003", Short, Left		1
2	1429160	Footrest 14 aa, "Alu2003", Short, Right		1
3	1429161	Footrest 16 aa, "Alu2003", Short, Left		1
3	1429162	Footrest 16 aa, "Alu2003", Short, Right		1
4	1429163	Footrest 17 aa, "Alu2003", Short, Left		1
4	1429164	Footrest 17 aa, "Alu2003", Short, Right		1
5	1429165	Footrest 18, "Alu2003", Lower Part, aa, Short, Left		1
5	1429166	Footrest 18, "Alu2003", Lower Part, aa, Short, Right		1
6	1429167	Footrest 19 aa, "Alu2003", Short, Left		1
6	1429168	Footrest 19 aa, "Alu2003", Short, Right		1
7	1429169	Footrest 20 Alu2003, Lower Part, aa, Short, Left		1
7	1429170	Footrest 20 Alu2003, Lower Part, aa, Short, Right		1
8	1485428	Footrest 12 Long, Le, "Alu2003"		1
8	1485429	Footrest 12 Long, Ri, "Alu2003"		1
9	1429171	Footrest 14 aa, "Alu2003", Long, Left		1
9	1429172	Footrest 14 aa, "Alu2003", Long, Right		1
10	1429173	Footrest 16 aa, "Alu2003", Long, Left		1
10	1429174	Footrest 16 aa, "Alu2003", Long, Right		1
11	1429175	Footrest 17 aa, "Alu2003", Long, Left		1
11	1429176	Footrest 17 aa, "Alu2003", Long, Right		1
12	1429177	Footrest 18, "Alu2003", Lower Part, aa, Long, Left		1
12	1429178	Footrest 18, "Alu2003", Lower Part, aa, Long, Ri		1
13	1429179	Footrest 19 aa, "Alu2003", Long, Left		1
13	1429180	Footrest 19 aa, "Alu2003", Long, Right		1
14	1429181	Footrest 20 Alu2003, Lower Part, aa, Long, Left		1
14	1429182	Footrest 20 Alu2003, Lower Part, aa, Long, Right		1
15	5106372	Footplate 12 aa, Cpl.		1
16	5106374	Footplate, depth- and angleadjustable, SW43		1
17	5106375	Footplate, depth- and angleadjustable, SW46		1

Footrest, AA, Alu2003

Pos.	Part number	Description	Valid from → until	Qty
18	5106594	Footplate, depth- and angleadjustable, SB46		1
19	5106376	ADJUSTABLE FOOTPLATE 50CM		1
20	1434561-0010	Insert tube - short		1
21	1434563-0010	Insert tube - long		1
22	1430839	Screw Kit, Footrest aa		1
23	1430840	Screw Kit, Footrest aa Ext		1

Footrest 90°, Alu2003

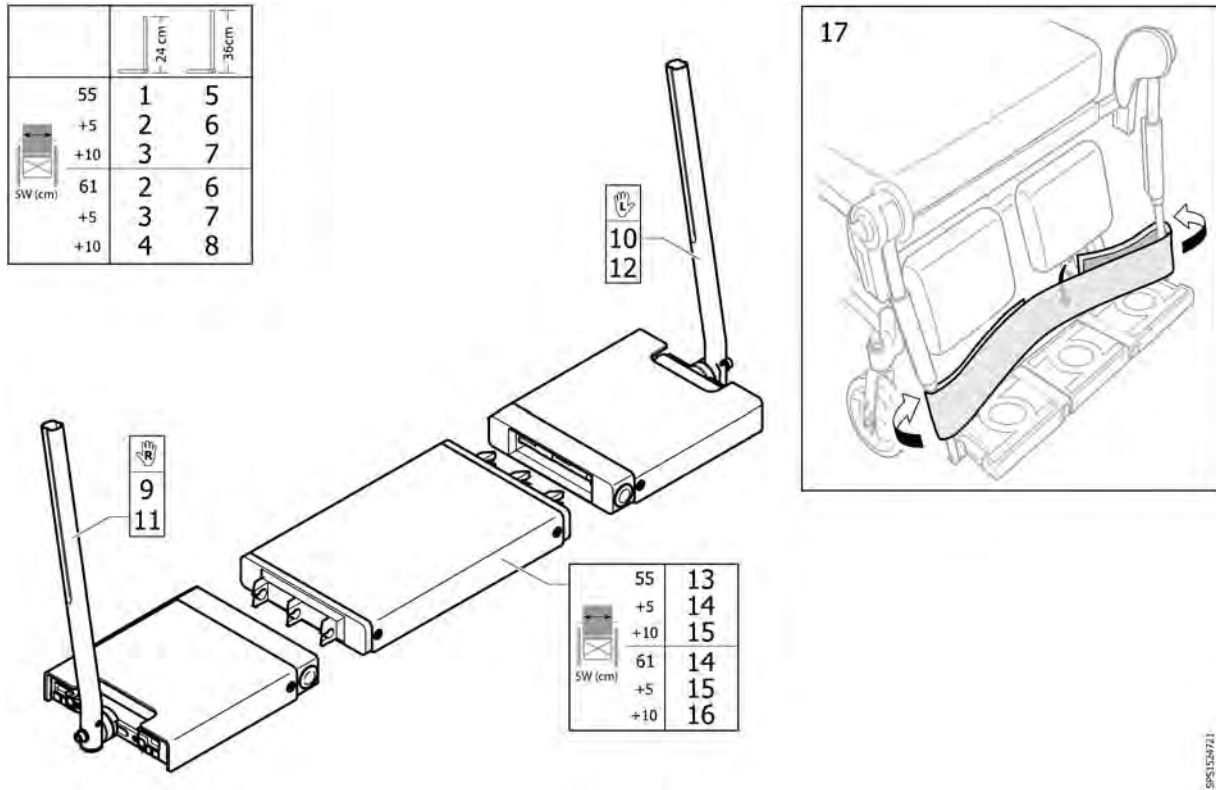
Rea Bellis			
S (39 - 43)	2	6	11
M (44 - 48)	3	7	12
L (49 - 53)	4	8	13
Rea Azalea, Rea Comfort			
34-39	2	6	11
44	3	7	12
49	4	8	13
Rea Clematis			
39	1	5	10
44	2	6	11
49	3	7	12
Rea Focus			
38	1	5	10
43	2	6	11
48	3	7	12
SpinX, XLT Swing, Rea Spirea²			
38 - 40,5	1	5	10
43 - 45,5	2	6	11
48 - 50 5	3	7	12



SPS1446130

Pos.	Part number	Description	Valid from → until	Qty
1	1446130	FOOTREST 11 AA, 90° "ALU2003", SHORT, LEFT		1
1	1446131	FOOTREST 11 AA, 90° "ALU2003", SHORT, RIGHT		1
2	1446132	FOOTREST LOWER PART 13, AA, FOOTR. 90, SHORT, LH		1
2	1446133	FOOTREST LOWER PART 13, AA, FOOTR. 90, SHORT, RH		1
3	1446134	FOOTREST LOWER PART 16, AA, FOOTR. 90, SHORT, LH		1
3	1446135	FOOTREST LOWER PART 16, AA, FOOTR. 90, SHORT, RH		1
4	1446159	FOOTREST LOWER PART 18, AA, FOOTR. 90, SHORT, LH		1
4	1446160	FOOTREST LOWER PART 18, AA, FOOTR. 90, SHORT, RH		1
5	1446136	FOOTREST 11 AA, 90° "ALU2003", LONG, LEFT		1
5	1446137	FOOTREST 11 AA, 90° "ALU2003", LONG, RIGHT		1
6	1446138	FOOTREST LOWER PART 13, AA, FOOTR. 90, LONG, LH		1
6	1446139	FOOTREST LOWER PART 13, AA, FOOTR. 90, LONG, RH		1
7	1446140	FOOTREST LOWER PART 16, AA, FOOTR. 90, LONG, LH		1
7	1446141	FOOTREST LOWER PART 16, AA, FOOTR. 90, LONG, RH		1
8	1446161	FOOTREST LOWER PART 18, AA, FOOTR. 90, LONG, LH		1
8	1446162	FOOTREST LOWER PART 18, AA, FOOTR. 90, LONG, RH		1
9	1440035	TUBE, LEGREST, LONG (346)		1
9	1446094	TUBE, LEGREST, SHORT (221)		1
10	5106371	Angle and depth adjustable footplate 106mm		1
11	5106373	FOOTPLATE 13 AA, CPL.		1
12	5106375	Footplate, depth- and angleadjustable, SW46		1
13	5106376	ADJUSTABLE FOOTPLATE 50CM		1
14	1497913	SCREW KIT FOOTREST 90 ALU 2004		1

Footboard, Azalea Max

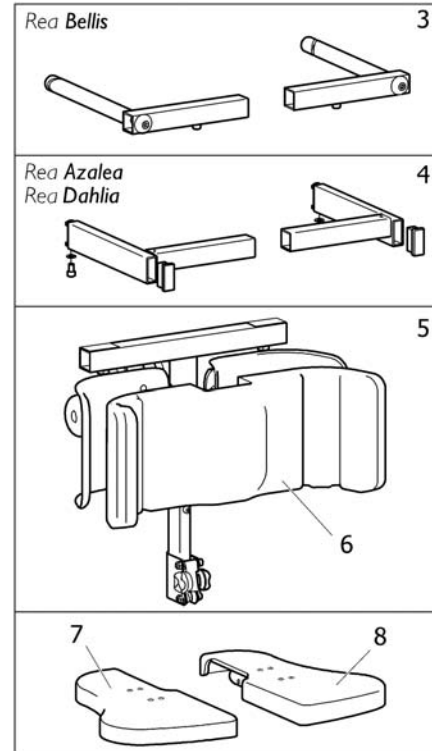
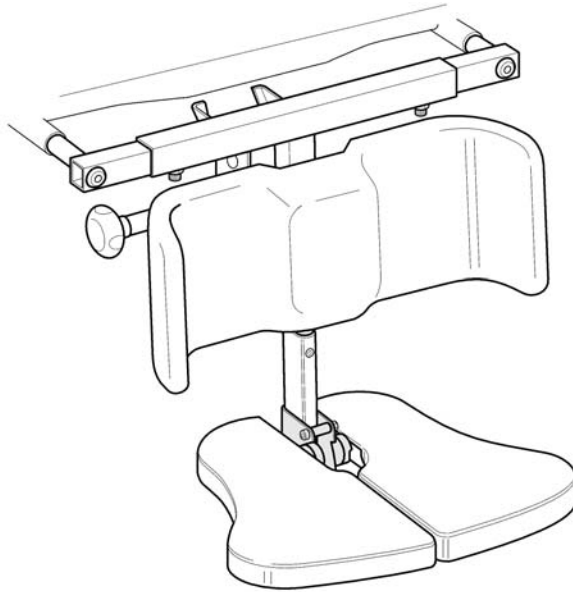


SPS1524721

Pos.	Part number	Description	Valid from → until	Qty
1	1524977	Footboard 55, Short Tubes		1
2	1524978	Footboard 61, Short Tubes		1
3	1524979	Footboard 65, Short Tubes		1
4	1524980	Footboard 71, Short Tubes		1
5	1524721	BOARD CONVERTER 55, CPL, LONG		1
6	1524722	BOARD CONVERTER 61, CPL, LONG		1
7	1524723	BOARD CONVERTER 65, CPL, LONG		1
8	1524724	BOARD CONVERTER 71, CPL, LONG		1
9	1524728	Right Part, Short Tube, Footboard		1
10	1524727	Left Part, Short Tube, Footboard		1
11	1524726	Right Part, Long Tube, Footboard		1
12	1524725	Left Part, Long Tube, Footboard		1
13	1524731	Center Part 55 (124), Footboard		1
14	1524732	Center Part 61 (184), Footboard		1
15	1524733	Center Part 65 (222), Footboard		1
16	1524734	Center Part 71 (282), Footboard		1
17	SP1532566	Heelstrap, Azalea Max		1

Central footrest

Rea Bellis	1
Rea Azalea Rea Dahlia	2

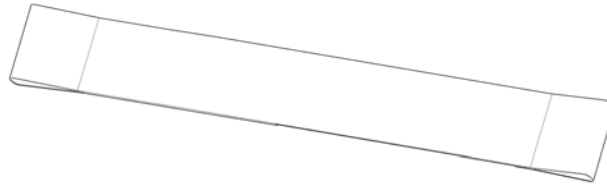


SP51494821

Pos.	Part number	Description	Valid from → until	Qty
1	1424640	CENTRAL LEGREST CPL.		1
2	1484821	CENTER LEGREST CPL. (AZALEA)		1
3	1493102	ATTACHMENT CPL., CENTRAL LEGREST		1
4	1493118	ATTACHMENT CPL., CENTRAL LEGREST, AZALEA		1
5	1493101	POLE CPL, CENTRAL LEGREST		1
6	1424545	CALFPAD CUSION, CENTER LEGREST		1
7	1484006	FOOTPLATE CPL, RIGHT, CENTER FOOTREST		1
8	1484007	FOOTPLATE CPL, LEFT, CENTER FOOTREST		1

Calf strap, Alu2003 legrest

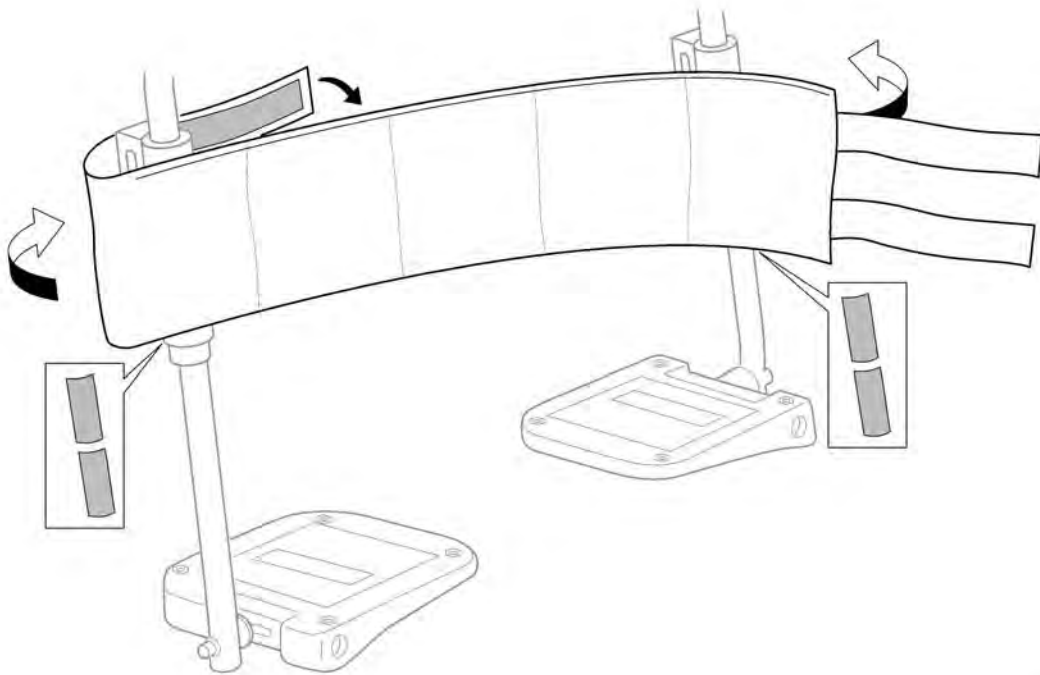
SPS1429214



Pos.	Part number	Description	Valid from → until	Qty
1	1433580	Calf strap, soft		1

Calf strap, padded

1

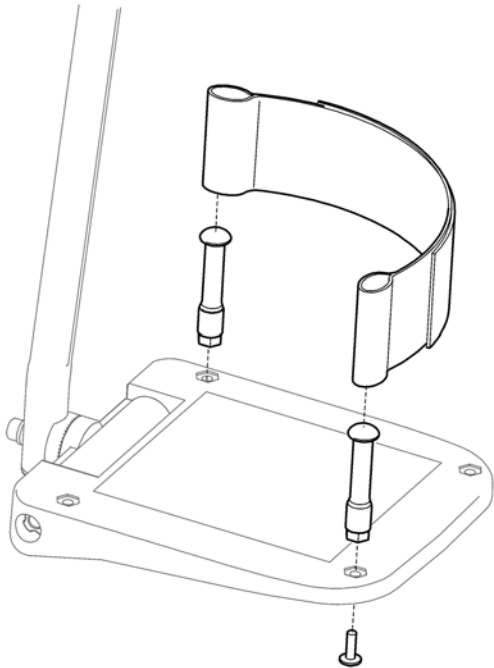


SPS1563951

Pos.	Part number	Description	Valid from → until	Qty
1	SP1563951	Calf strap, padded		1

Heel strap

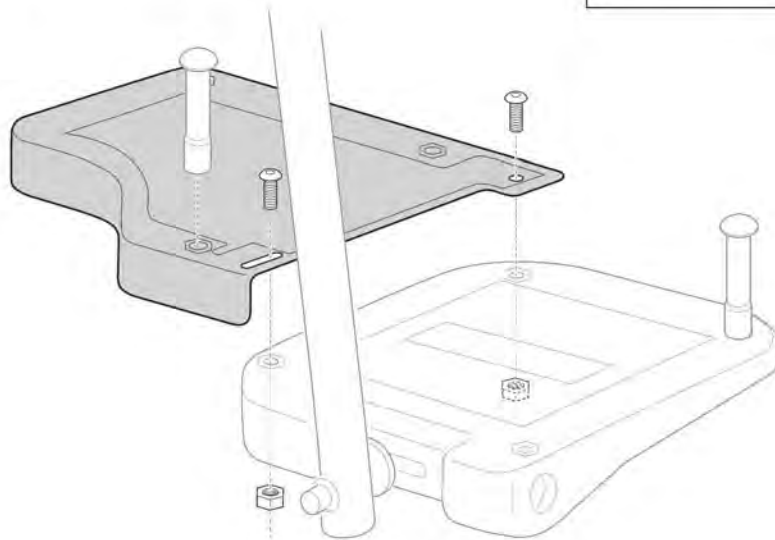
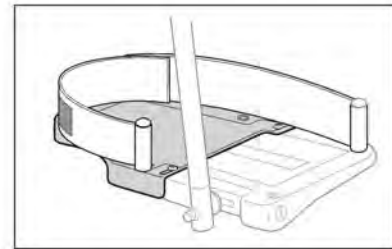
1



Pos.	Part number	Description	Valid from → until	Qty
	5321579	Heel Loop, Pair		1

Extender, footplate

135mm	99-119mm	1
160mm	124-144mm	2



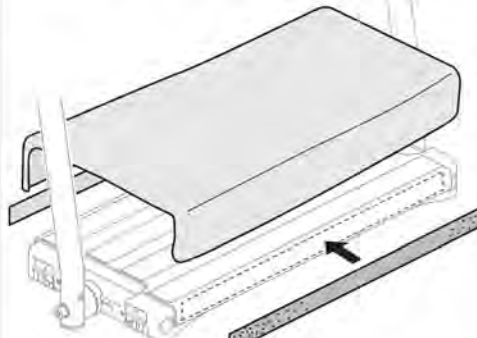
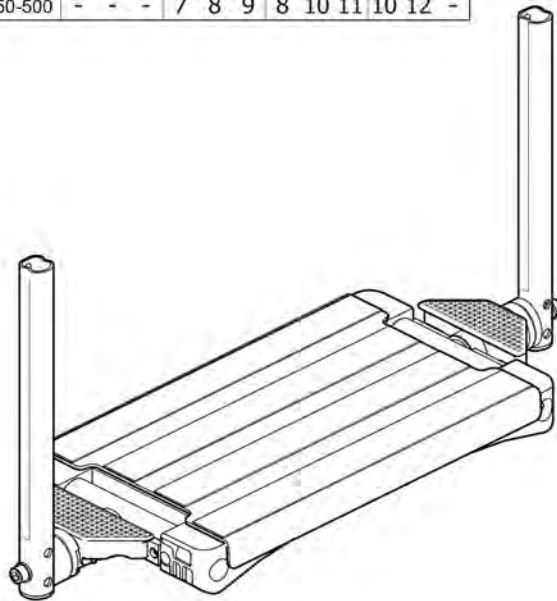
BOSCH

Pos.	Part number	Description	Valid from → until	Qty
1	SP5255297	Footplate extender w=135 pair		1
2	SP5255299	Footplate extender w=160 pair		1

Footrest one piece

SH (mm)	SW (mm)											
	340			390			440			490		
400-450	1	1	2	1	2	3	2	4	5	4	6	-
450-500	-	-	-	7	8	9	8	10	11	10	12	-

SW (mm)	390			440			490		
	0	+50	+100	0	+50	+100	0	+50	+100
	13	14	15	14	15	15	15	15	-

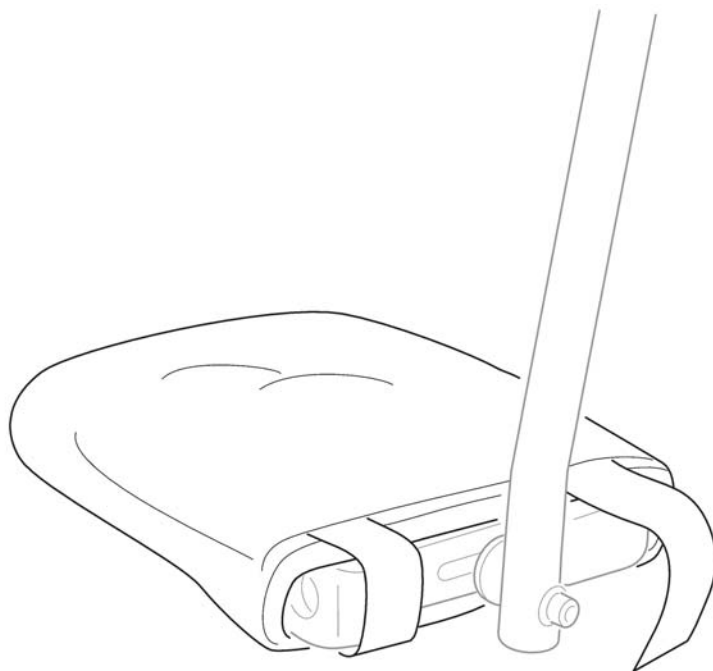



SP1563962

Pos.	Part number	Description	Valid from → until	Qty
1	1493268	FOOTREST ONE PIECE 272, ANGLE ADJ., SHORT		1
2	1493270	FOOTREST ONE PIECE 322, ANGLE ADJ., SHORT		1
3	1495821	FOOTREST ONE PIECE 347, ANGLE ADJ., SHORT		1
4	1495822	FOOTREST ONE PIECE 372, ANGLE ADJ., SHORT		1
5	1495823	FOOTREST ONE PIECE 397, ANGLE ADJ., SHORT		1
6	1495824	FOOTREST ONE PIECE 422, ANGLE ADJ., SHORT		1
7	1493358	FOOTREST ONE PIECE 272, ANGLE ADJ., LONG		1
8	1493377	FOOTREST ONE PIECE 322, ANGLE ADJ., LONG		1
9	1495825	FOOTREST ONE PIECE 347, ANGLE ADJ., LONG		1
10	1495826	FOOTREST ONE PIECE 372, ANGLE ADJ., LONG		1
11	1495827	FOOTREST ONE PIECE 397, ANGLE ADJ., LONG		1
12	1495828	FOOTREST ONE PIECE 422, ANGLE ADJ., LONG		1
13	SP1563959	COVER, ONE PIECE FOOTPLATE 390		1
14	SP1563962	COVER, ONE PIECE FOOTPLATE 440		1
15	SP1563963	COVER, ONE PIECE FOOTPLATE 490		1

Footplate cover

1

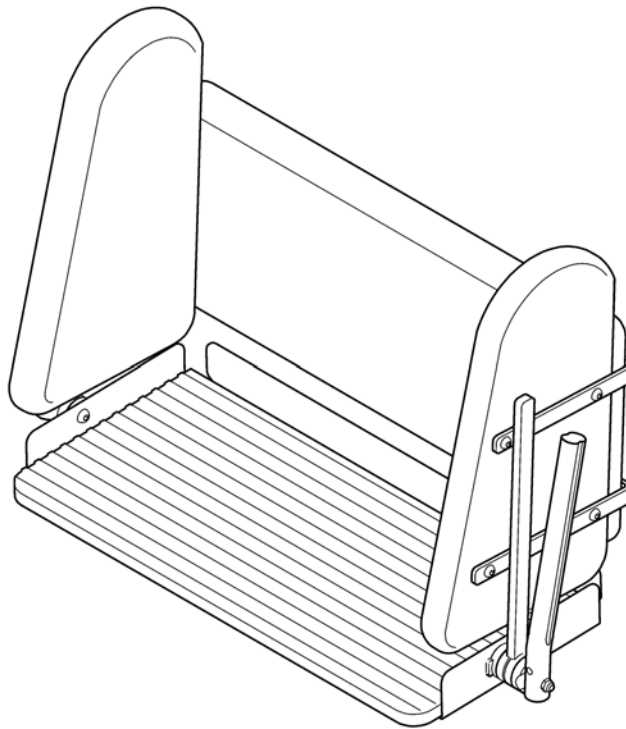


SP1563946

Pos.	Part number	Description	Valid from → until	Qty
1	SP1563946	COVER, FOOTPLATE		1

Footbox

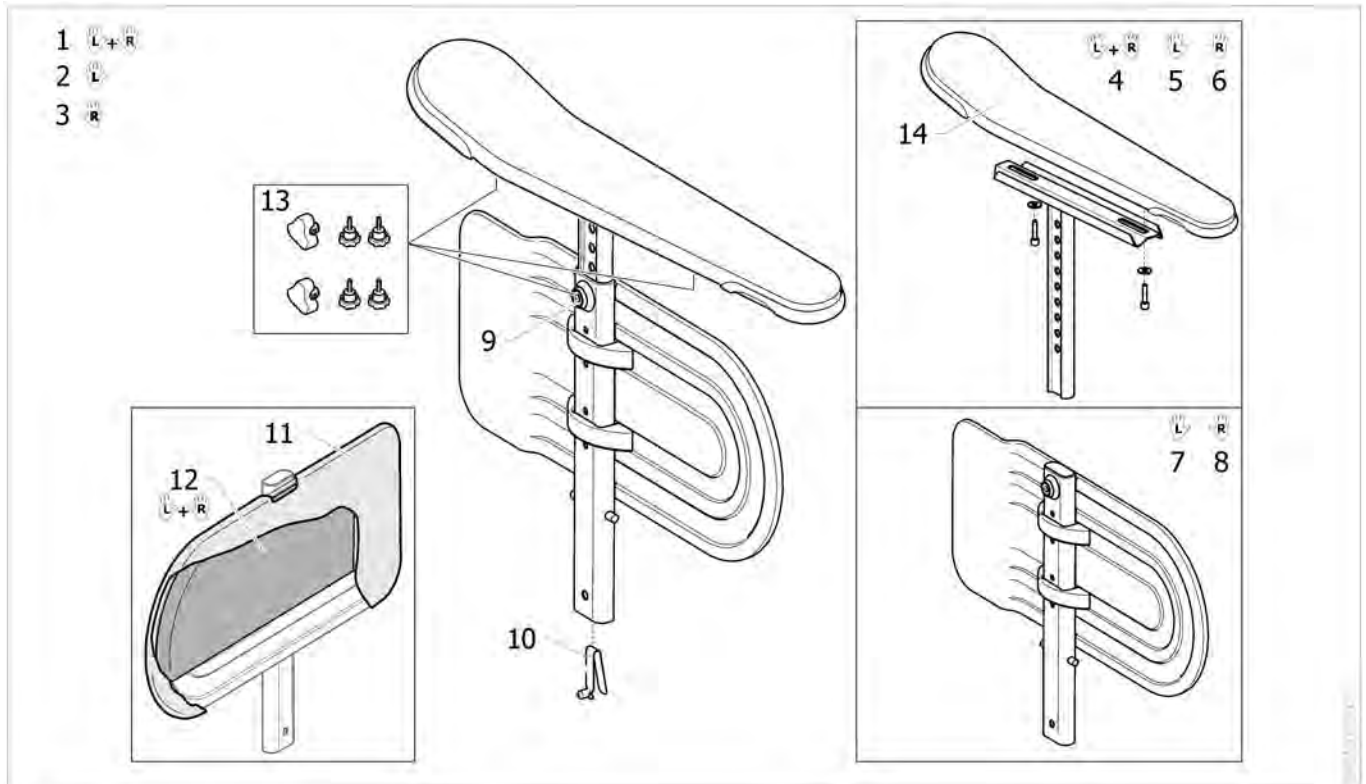
390	1
440	2
490	3



SP1571750

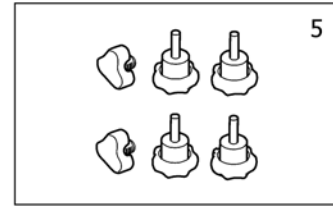
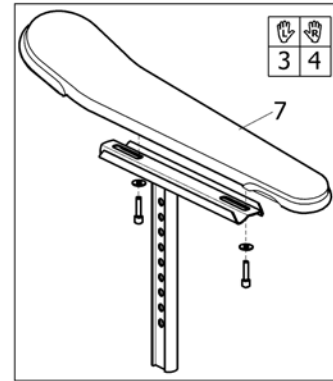
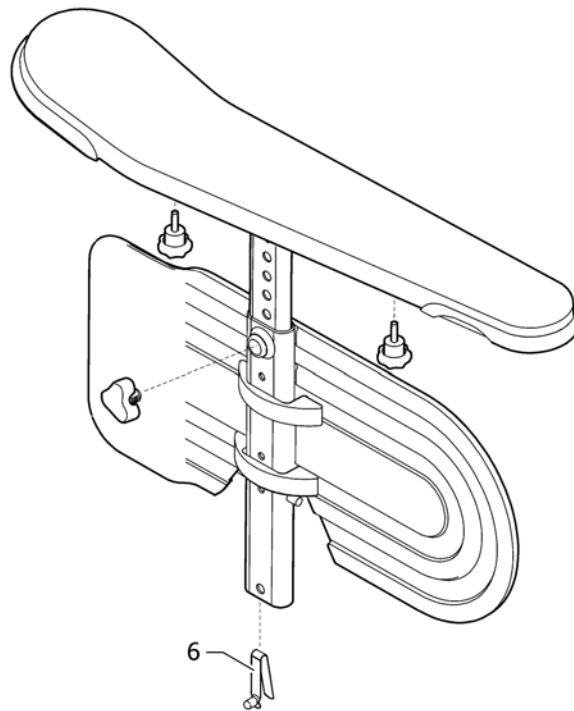
Pos.	Part number	Description	Valid from → until	Qty
1	SP1571749	FOOTBOX 390 CPL.		1
2	SP1571750	FOOTBOX 440 CPL.		1
3	SP1571751	FOOTBOX 490 CPL.		1

Armrest, Ducktail



Pos.	Part number	Description	Valid from → until	Qty
1	1530007	ARMREST, HEIGHT ADJ., CPL. PAIR		1
2	1517368	ARMREST, HEIGH ADJ. LEFT CPL.		1
3	1517367	ARMREST, HEIGH ADJ. RIGHT CPL.		1
4	1518704	ARMREST UPPER PART, HIGHT ADJ. PAIR		1
5	1518702	ARMREST UPPER PART, HIGHT ADJ. LEFT		1
6	1518701	ARMREST UPPER PART, HIGHT ADJ. RIGHT		1
7	1415521	Skirtguard LH, cpl.		1
8	SP1415520	Skirtguard RH, cpl.		1
9	5106533	Locking Screw M12x10		1
10	1560734	Snap button		1
11	1415453	SIDE SUPPORTBAG BLACK,DA		1
12	SP1563199	Padding, pair, armrest		1
13	SP1567515	HANDWHEEL KIT, PAIR, ARMREST		1
14	SP1451561	Ampad, Ducktail		1

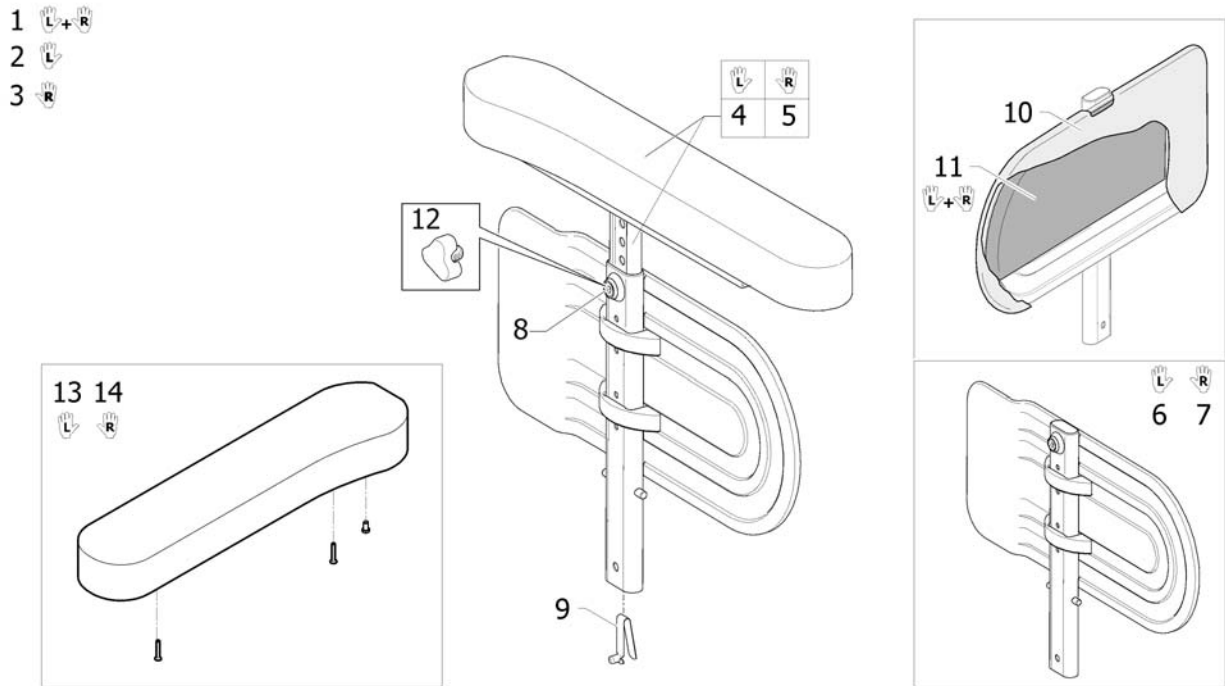
Armrest Low, Ducktail



SPS1563965

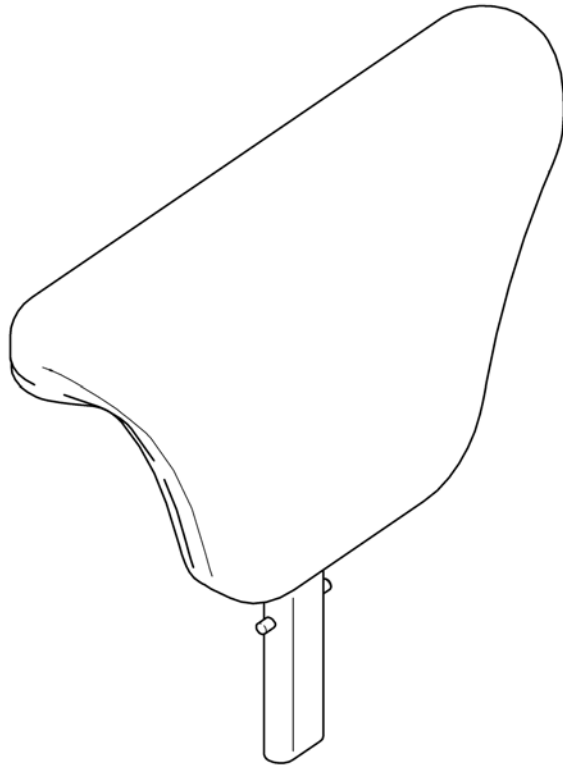
Pos.	Part number	Description	Valid from → until	Qty
1	SP1563966	Armrest low, height adj., left		1
2	SP1563965	Armrest low, height adj., right		1
3	1518702	ARMREST UPPER PART, HIGHT ADJ. LEFT		1
4	1518701	ARMREST UPPER PART, HIGHT ADJ. RIGHT		1
5	SP1567515	HANDWHEEL KIT, PAIR, ARMREST		1
6	1560734	Snap button		1
7	SP1451561	Ampad, Ducktail		1

Armrest, height adj.



ISPS1427166

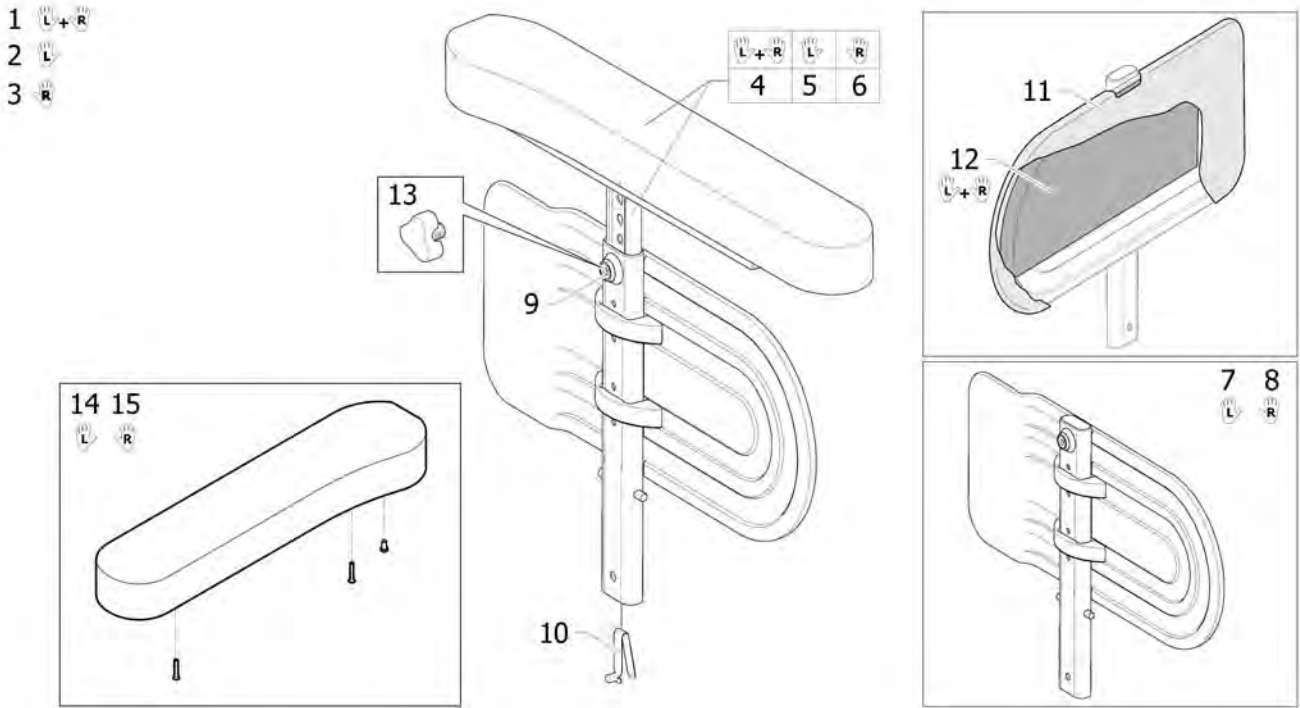
Pos.	Part number	Description	Valid from → until	Qty
1	1427166	ARMREST PAIR, HA		1
2	1427167	ARMREST LE ASSIST, CPL		1
3	1427168	ARMREST RI ASSIST, CPL		1
4	1427169	ARMREST U-PART CPL,LE,AS		1
5	1427170	ARMREST U-PART CPL,RI,AS		1
6	1415521	Skirtguard LH, cpl.		1
7	SP1415520	Skirtguard RH, cpl.		1
8	5106533	Locking Screw M12x10		1
9	1560734	Snap button		1
10	1415453	SIDE SUPPORTBAG BLACK,DA		1
11	SP1563199	Padding, pair, armrest		1
12	5221122	Handwheel M12		1
13	SP1651343	Armrest Wide Pad LH and screws		1
14	SP1651344	Armrest Wide Pad RH and screws		1



SPS1492547

Pos.	Part number	Description	Valid from → until	Qty
	1492547	ARMREST, PADDED		1

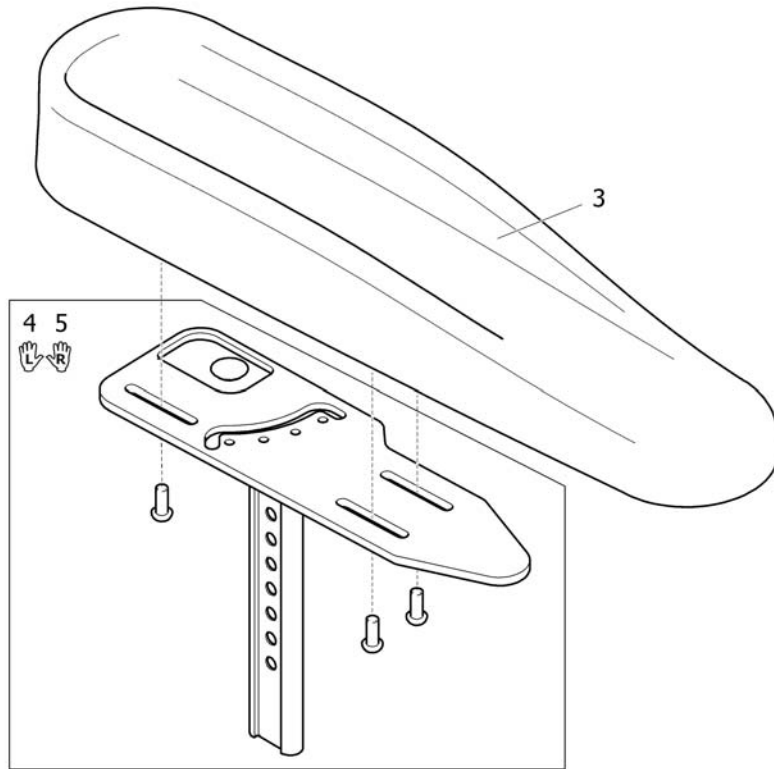
Armrest Max, reinforced



www.felisa.it

Pos.	Part number	Description	Valid from → until	Qty
1	1535270	Armrest Height Adj., Wide Pad, Pair		1
2	1525069	Armrest Height Adj., Wide Pad, Le		1
3	1525068	Armrest Height Adj., Wide Pad, Ri		1
4	1535271	Upper Part, Pair, Armrest Height Adj., Wide Pad		1
5	1525067	Upper part, Armrest Height Adj., Le		1
6	1525066	Upper part, Armrest Height Adj., Ri		1
7	1525048	Side Guard, Reinforced, Le, Cpl		1
8	1525049	Side Guard, Reinforced, Ri, Cpl		1
9	5106533	Locking Screw M12x10		1
10	1560734	Snap button		1
11	1415453	SIDE SUPPORTBAG BLACK,DA		1
12	SP1563199	Padding, pair, armrest		1
13	5221122	Handwheel M12		1
14	SP1651343	Armrest Wide Pad LH and screws		1
15	SP1651344	Armrest Wide Pad RH and screws		1

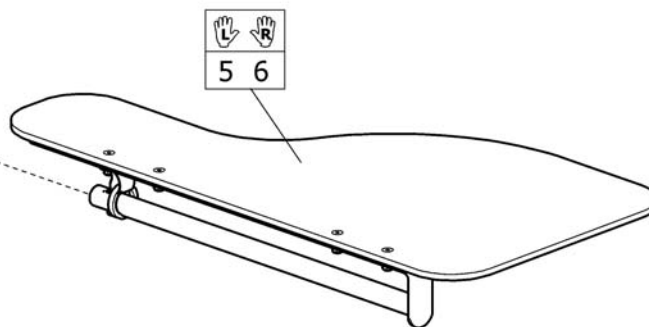
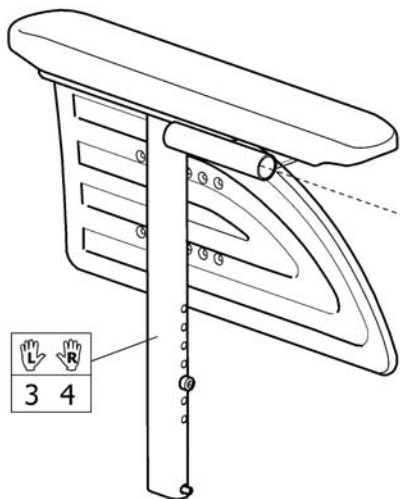
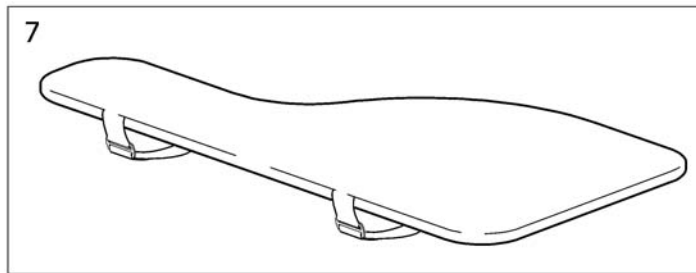
Armrest, hemiplegic



SP1493219

Pos.	Part number	Description	Valid from → until	Qty
1	SP1493220	Armpad Assembly Hemiplegic - LH		1
2	SP1493219	Armpad Assembly Hemiplegic - RH		1
3	1493251	Armpad, Hemi Armrest, Azalea		1
4	1494006	Support Hemi armrest Lh		1
5	1494005	Support Hemi armrest Rh		1

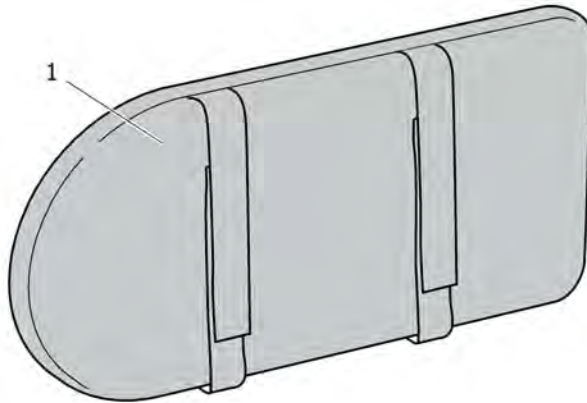
Armrest with half tray



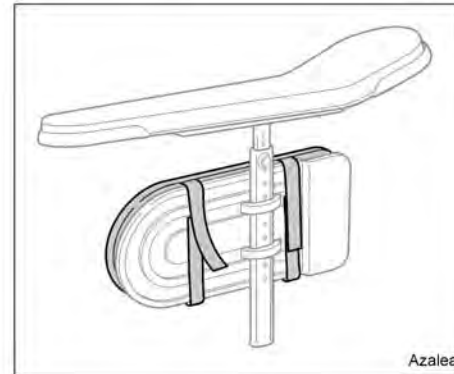
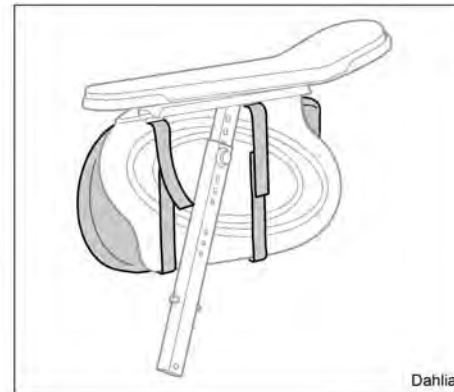
SP1603597

Pos.	Part number	Description	Valid from → until	Qty
1	SP1588322	HALF TRAY, LEFT, CPL, AZALEA/CLEMATIS		1
2	SP1588321	HALF TRAY, RIGHT, CPL, AZALEA/CLEMATIS		1
3	SP1605126	ATTACH, LEFT ARMR, CPL, HALF TRAY, AZALEA/CLEMA		1
4	SP1605105	ATTACH, RIGHT ARMR, CPL, HALF TRAY, AZALEA/CLEMA		1
5	SP1603597	Half tray, left		1
6	SP1603596	Half tray, right		1
7	SP1602247-TR26	HALF TRAY PADDING		1

Pad, siderest

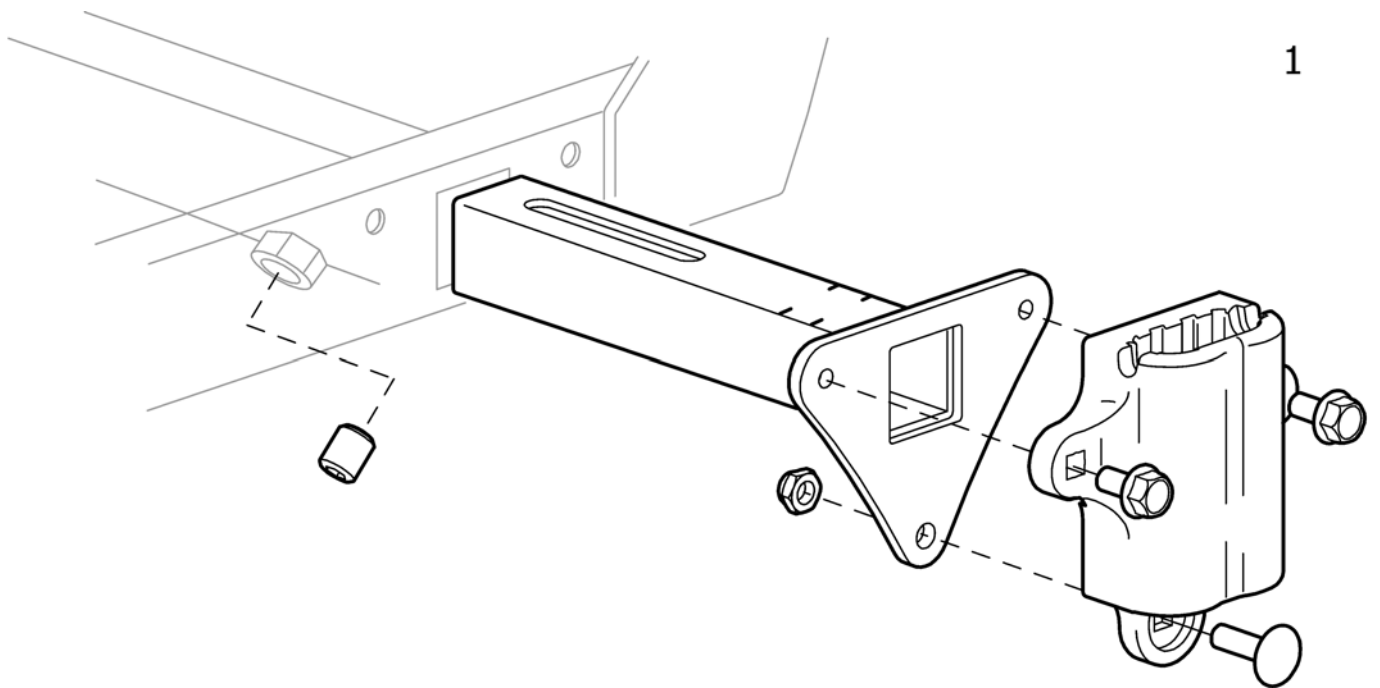


SP1563943



Pos.	Part number	Description	Valid from → until	Qty
1	SP1563943	SIDEREST PAD		1

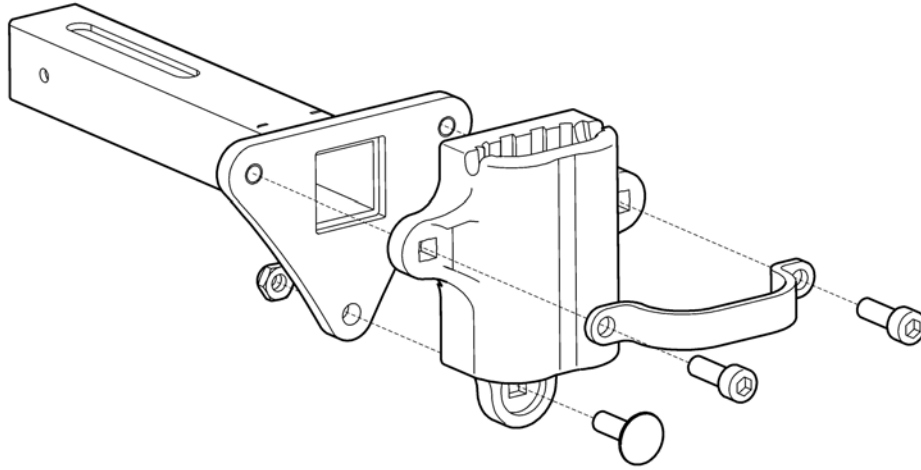
Armrest attachment



Pos.	Part number	Description	Valid from → until	Qty
1	1451864	ARMREST ATTACHMENT ADJ., AZALEA		1

Armrest attachment, Azalea Max

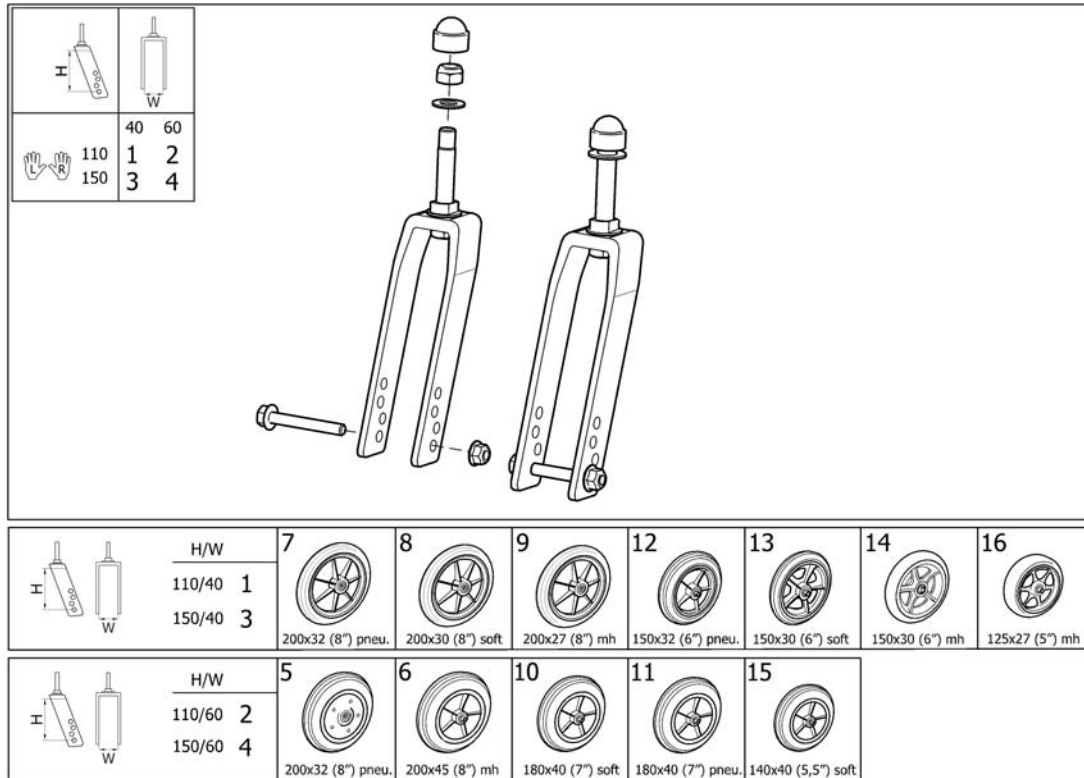
1



SPR1525035

Pos.	Part number	Description	Valid from → until	Qty
1	1525035	Armrest Attachment, Azalea Max		1

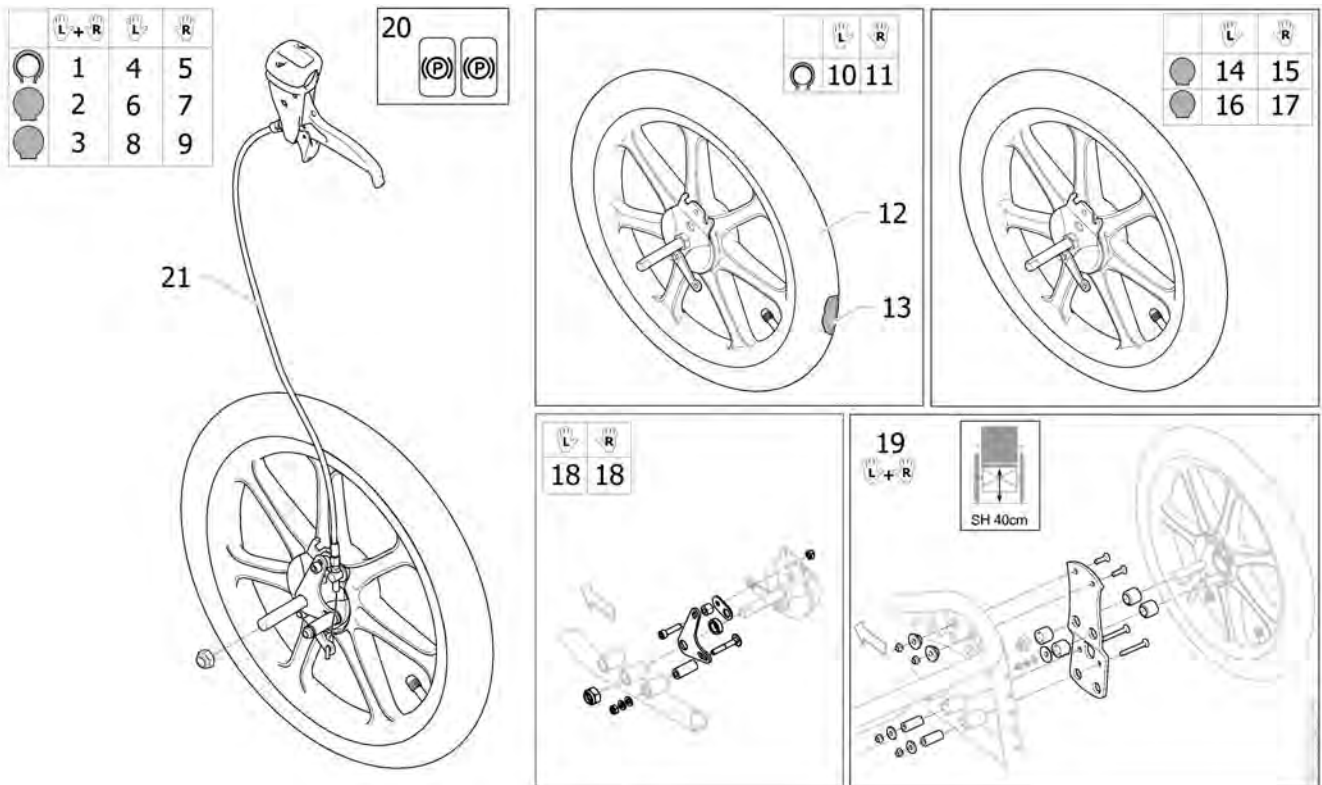
Castor wheels



1595320674

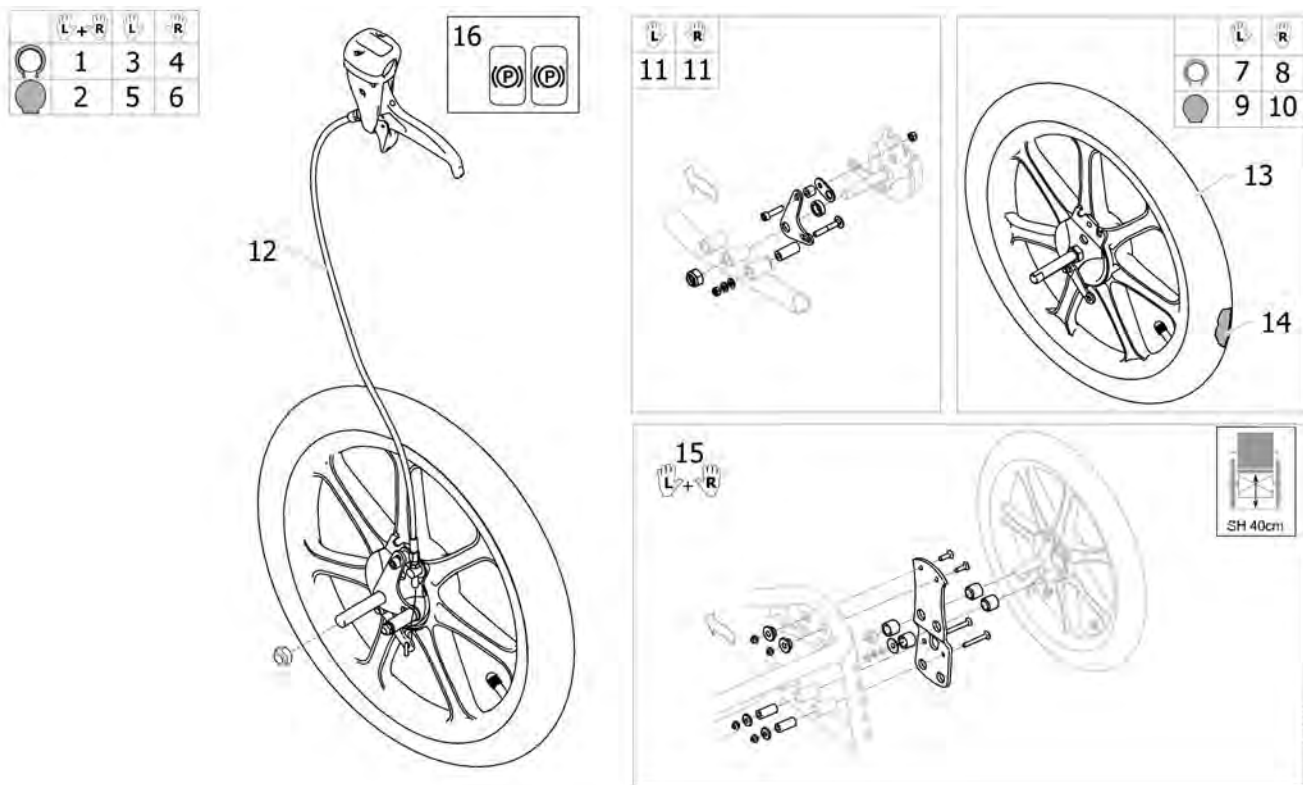
Pos.	Part number	Description	Valid from → until	Qty
1	1493442	FORK 110/40, FIXED, CPL, PAIR		1
2	1493443	FORK 110/60, FIXED, CPL, PAIR		1
3	1493440	FORK 150/40, FIXED, CPL, PAIR		1
4	1493441	FORK 150/60, FIXED, CPL, PAIR		1
5	0038N10005	Castor 200x50, Pneumatic		1
6	1418196	Castor With Spoked Rim 200X45 Solid		1
7	5322005	CASTOR 200x32 (8") PNEUMATIC		1
8	5750800	CASTOR 200x30 (8") SOFT		1
9	5322004	CASTOR 200x27 (8") MEDIUM HARD		1
10	5750781	CASTOR 180x40 (7") SOFT		1
11	5750782	CASTOR 180x40 (7") PNEUMATIC		1
12	5322006	CASTOR 150x32 (6") PNEUMATIC		1
13	5750806	CASTOR 150X30 (6") SOFT (S)		1
14	1555797	CASTOR 150x30 (6") MH		1
15	SP1601613	CASTOR 140x40 (5,5") SOFT		1
16	1491228	CASTOR 125X27 (5") MH	2008-10-09 →	1

Wheels 16" EU



Pos.	Part number	Description	Valid from → until	Qty
1	SP1536342	Wheel 16" Drumbrake Pneu Pair		1
2	SP1536343	Wheel 16" Drumbrake Solid Pair		1
3	SP1606651	WHEEL 16 INCH, DB, SOLID PLUS, PAIR, WITH CABLE ASSY		1
4	SP1536344	Wheel 16" Drumbrake Pneu, Left, Incl. Cable Assy.		1
5	SP1536370	Wheel 16" Drumbrake Pneu, Right, Incl. Cable Assy		1
6	SP1536371	Wheel 16" Drumbrake Solid, Left, Incl. Cable Assy.		1
7	SP1536372	Wheel 16" Drumbrake Solid, Right Incl. Cable Assy.		1
8	SP1606630	WHEEL 16 INCH, DB, SOLID PLUS, LH, WITH CABLE ASSY		1
9	SP1606631	WHEEL 16 INCH, DB, SOLID PLUS, RH, WITH CABLE ASSY		1
10	SP1537134	Wheel 16" Pneu DB Left		1
11	SP1537133	Wheel 16" Pneu DB Right		1
12	1440029	Tyre 16"x1,75 Pneu		1
13	5750778	Tube 16" x 1.75		1
14	SP1537136	Wheel 16" Solid DB Left		1
15	SP1537135	Wheel 16" Solid DB Right		1
16	SP1606628	WHEEL 16 INCH, DB, SOLID PLUS, LH		1
17	SP1606629	WHEEL 16 INCH, DB, SOLID PLUS, RH		1
18	SP1492298	Attachment, Drumbrake, 16" Wheel, Azalea		1
19	SP1508785	Attachment Plates 16" Pair		1
20	1536764	DECAL, CABLE ASSEMBLY, BRAKE		1
21	SP1650672	Cable Assy 1240, Brake + assembly instruction		1

Wheels 16 UK

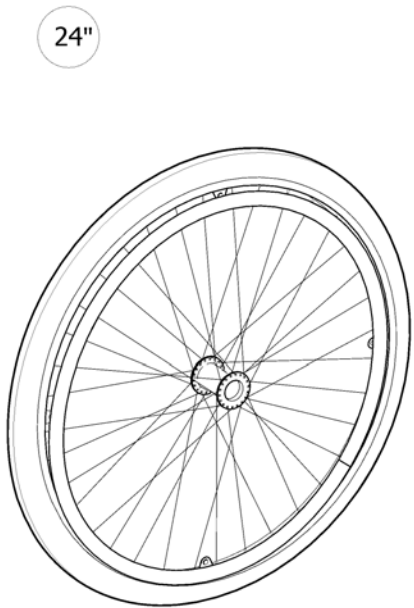


Pos.	Part number	Description	Valid from → until	Qty
1	SP1536342	Wheel 16" Drumbrake Pneu Pair		1
2	SP1606651	WHEEL 16 INCH, DB, SOLID PLUS, PAIR, WITH CABLE ASSY <i>Replaces 1536343</i>	2017-11-01 →	1
3	SP1536344	Wheel 16" Drumbrake Pneu, Left, Incl. Cable Assy.		1
4	SP1536370	Wheel 16" Drumbrake Pneu, Right, Incl. Cable Assy		1
5	SP1606630	WHEEL 16 INCH, DB, SOLID PLUS, LH, WITH CABLE ASSY <i>Replaces 1536371</i>	2017-11-01 →	1
6	SP1606631	WHEEL 16 INCH, DB, SOLID PLUS, RH, WITH CABLE ASSY <i>Replaces 1536372</i>	2017-11-01 →	1
7	SP1537134	Wheel 16" Pneu DB Left		1
8	SP1537133	Wheel 16" Pneu DB Right		1
9	SP1606628	WHEEL 16 INCH, DB, SOLID PLUS, LH <i>Replaces 1537136</i>	2017-11-01 →	1
10	SP1606629	WHEEL 16 INCH, DB, SOLID PLUS, RH <i>Replaces 1537135</i>	2017-11-01 →	1
11	SP1492298	Attachment, Drumbrake, 16" Wheel, Azalea		1
12	SP1650672	Cable Assy 1240, Brake + assembly instruction		1
13	1440029	Tyre 16"x1,75 Pneu		1
14	5750778	Tube 16" x 1.75		1
15	SP1508785	Attachment Plates 16" Pair		1
16	1536764	DECAL, CABLE ASSEMBLY, BRAKE		1

24" Rear Wheels Specific

Clematis Azalea Dahlia						
24"						
	1	-	2	3	4	5
	6	-	7	8	9	10
	11	12	13	14	15	16

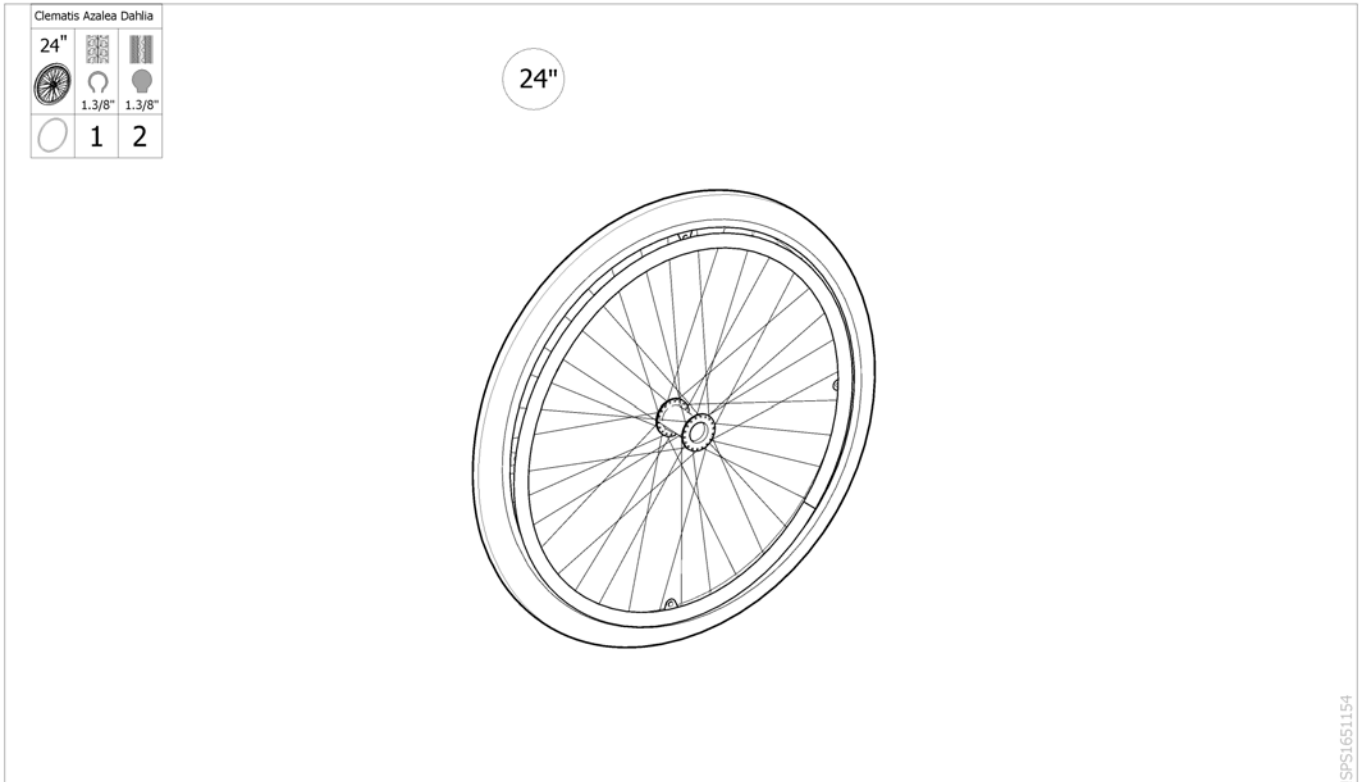
Dahlia						
24"						
	17	18	19	20	21	22



ISPS165068Z

Pos.	Part number	Description	Valid from → until	Qty
1	1524049	Wheel 24x1" Low Profile + Handrim, Alu., Std2010		2
2	1524030	Wheel 24" Pneu. Profiled + Handrim, Alu, Std2010		2
3	1524050	Wheel 24" Solid + Handrim, Alu, Std2010		2
4	1524029	Wheel 24" Pneu. Non-Marking + Handrim, Alu, Std2010		2
5	1524150	Wheel 24" Punctureproof + Handrim, Alu, Std2010		2
6	1524187	Wheel 24x1" Low Profile + Handrim, Plastic Coated, Std2010		2
7	1524186	Wheel 24" Pneu. Profiled + Handrim, Plastic Coated, Std2010		2
8	1524188	Wheel 24" Solid + Handrim, Plastic Coated, Std2010		2
9	1524163	Wheel 24" Pneu. Non-Marking + Handrim, Plastic Coated, Std2010		2
10	1524189	Wheel 24" Punctureproof + Handrim, Plastic Coated, Std2010		2
11	1531063	Wheel 24x1" Low Profile + Handrim, Stainless Steel, Std2010		2
12	1536542	Wheel 24"x1"HD Thin Tyre Punctureproof,Handrim Stainless		2
13	1530764	Wheel 24" Pneu. Profiled + Handrim, Stainless, Std2010		2
14	1530762	Wheel 24" Solid + Handrim, Stainless, Std2010		2
15	1530763	Wheel 24" Pneu. Non-Marking + Handrim, Stainless, Std2010		2
16	1531129	Wheel 24" Punctureproof + Handrim, Stainless, Std2010		2
17	1530751	Wheel 24"x1" HD Thin Tyre, Without Handrim (Dahlia)		2
18	1536714	Wheel 24"x1"HD Thin Tyre Punctureproof Without Handrim (Dahlia)		2
19	1530747	Wheel 24"x1"3/8 HD Notched Tyre,Without Handrim		2
20	1530748	Wheel 24"x1"HD Solid Without Handrim (Dahlia)		2
21	1530714	Wheel 24"x1"3/8 HD Thin Tyre Without Handrim (Dahlia)		2
22	1530691	Wheel 24"x1"3/8 Notched Tyre Punctureproof Without Handrim (Dahlia)		2

24" Wheel Spoked (Basic)




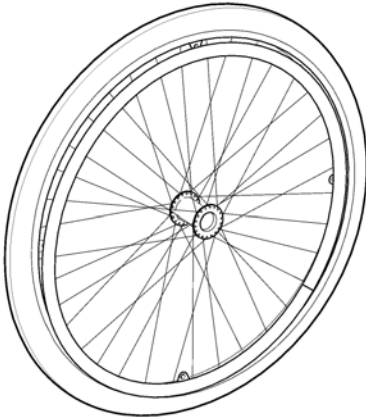
ISPS1651154

Pos.	Part number	Description	Valid from → until	Qty
1	1498423	Wheel 24x1.3/8in spoked + anod handrim + pneu-tyre		2
2	1498263	Wheel 24x1.3/8in spoked std hub anod handrim + solid-tyre		2

22" Rear Wheels Specific

Clematis Azalea Dahlia						
22"						
	1"	1"	1"	1.3/8"	1.3/8"	1.3/8"
	1	2	-	3	4	5
	6	7	-	8	9	10
	-	-	11	-	-	-

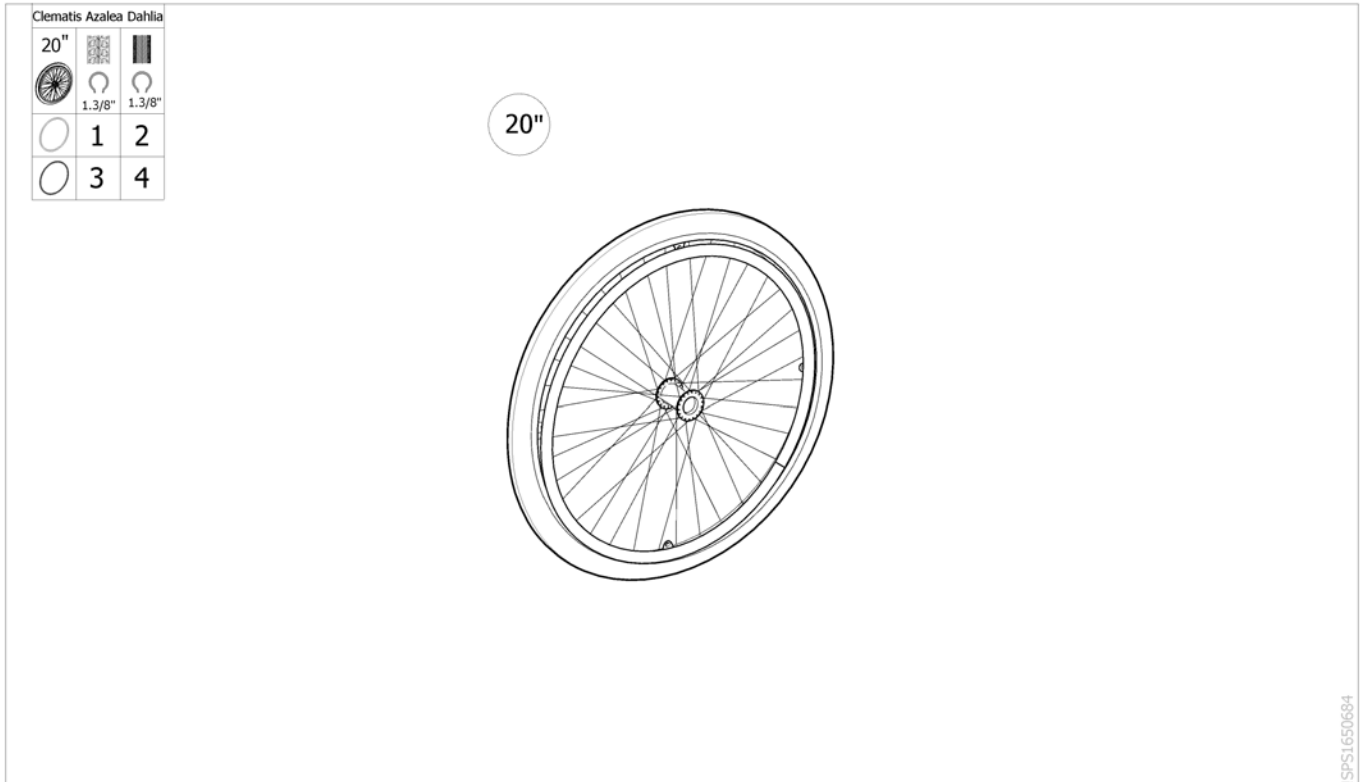




ISPS1650683

Pos.	Part number	Description	Valid from → until	Qty
1	1523948	Wheel 22" Pneu. Non-Marking + Handrim, Alu, Std2010		2
2	1524020	Wheel 22x1" Low Profile + Handrim, Alu., Std2010		2
3	1523949	Wheel 22" Pneu. Profiled + Handrim, Alu, Std2010		2
4	1524021	Wheel 22" Solid + Handrim, Alu, Std2010		2
5	1524022	Wheel 22" Punctureproof + Handrim, Alu, Std2010		2
6	1524023	Wheel 22" Pneu. Non-Marking + Handrim, Plastic Coated, Std2010		2
7	1524026	Wheel 22x1" Low Profile + Handrim, Plastic Coated, Std2010		2
8	1524024	Wheel 22" Pneu. Profiled + Handrim, Plastic Coated, Std2010		2
9	1524027	Wheel 22" Solid + Handrim, Plastic Coated, Std2010		2
10	1524028	Wheel 22" Punctureproof + Handrim, Plastic Coated, Std2010		2
11	1536541	Wheel 22"x1" HD Thin Tyre Punctureproof, Handrim, Stainless		2

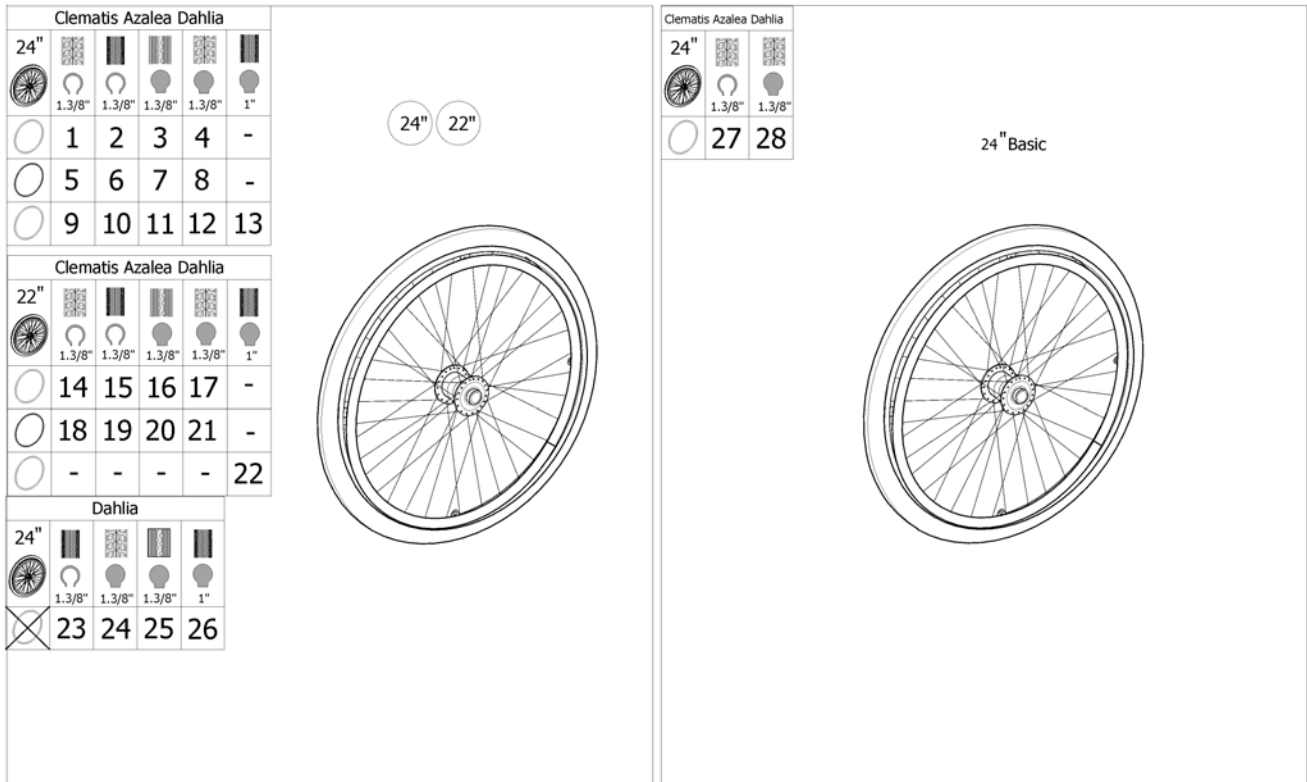
20"Rear Wheels Specific



ISPS1650684

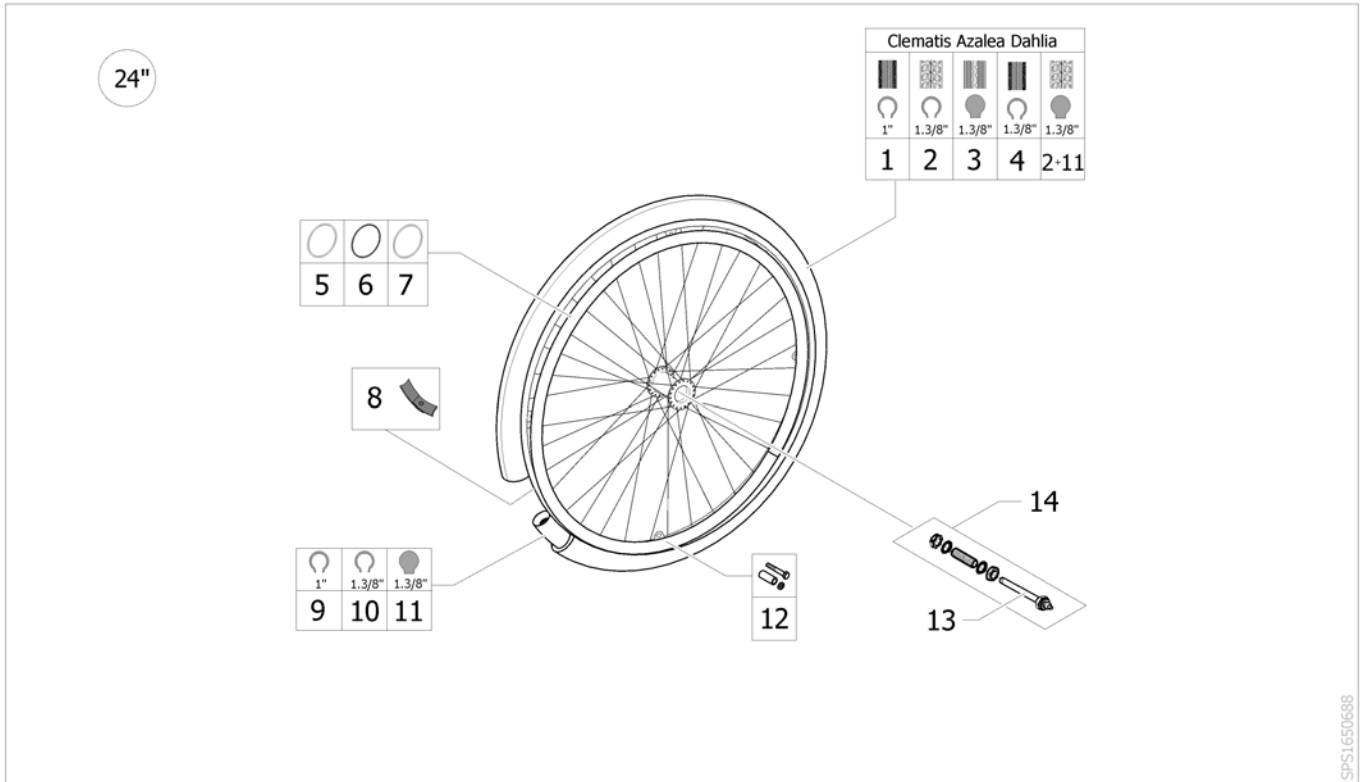
Pos.	Part number	Description	Valid from → until	Qty
1	1523944	Wheel 20" Pneu. Profiled + Handrim, Alu, Std2010		2
2	1523885	Wheel 20" Pneu. Non-Marking + Handrim, Alu, Std2010		2
3	1523945	Wheel 20" Pneu. Profiled + Handrim, Plastic Coated, Std2010		2
4	1523902	Wheel 20" Pneu. Non-Marking + Handrim, Plastic Coated, Std2010		2

24" / 22" Hub brake wheels



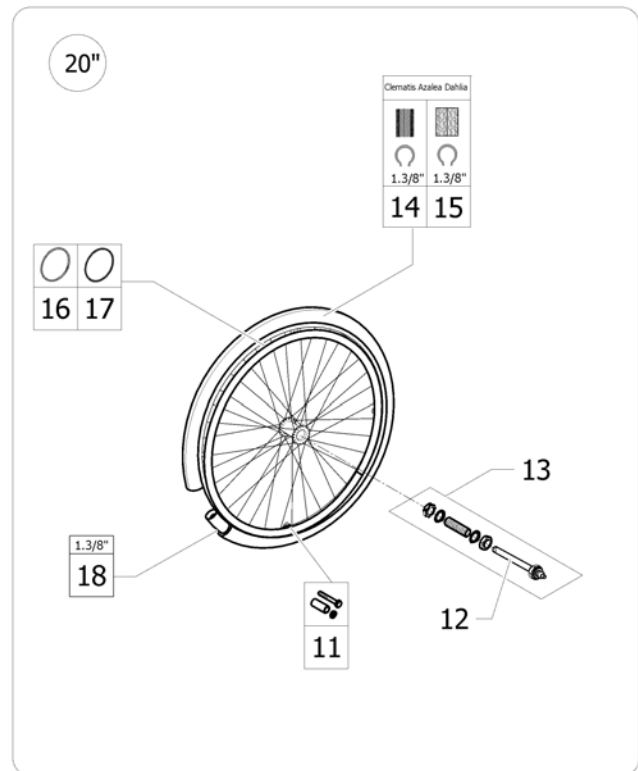
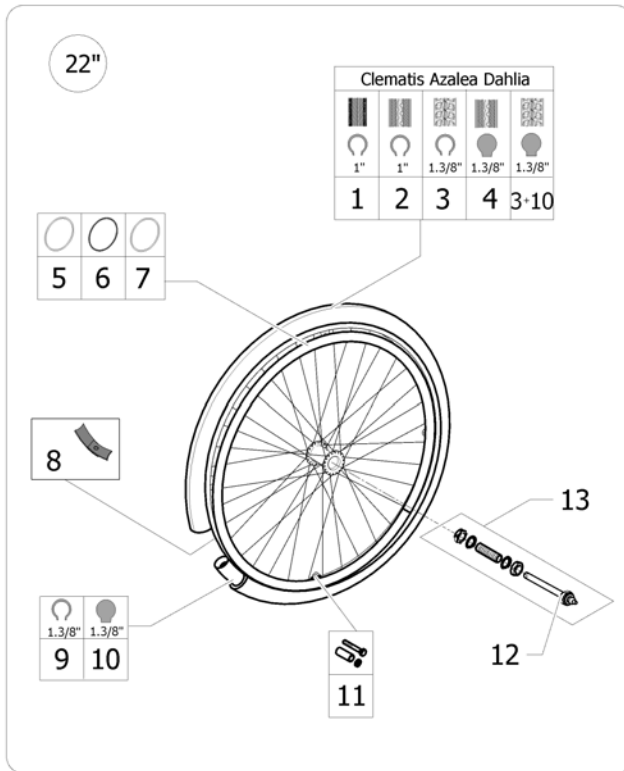
Pos.	Part number	Description	Valid from → until	Qty
1	1524437	Wheel 24" Db Pneu. Profiled + Handrim, Alu, Std2010		2
2	1524436	Wheel 24" Db Pneu. Non-Marking + Handrim, Alu, Std2010		2
3	1524447	Wheel 24" Db Solid + Handrim, Alu, Std2010		2
4	1524512	Wheel 24" Db Punctureproof + Handrim, Alu, Std2010		2
5	1524514	Wheel 24" Db Pneu. Profiled + Handrim, Plastic Coated, Std2010		2
6	1524513	Wheel 24" Db Pneu. Non-Marking + Handrim, Plastic Coated, Std2010		2
7	1524515	Wheel 24" Db Solid + Handrim, Plastic Coated, Std2010		2
8	1524516	Wheel 24" Db Punctureproof + Handrim, Plastic Coated, Std2010		2
9	1531080	Wheel 24" Db Pneu. Profiled + Handrim, Stainless, Std2010		2
10	1531064	Wheel 24" Db Pneu. Non-Marking + Handrim, Stainless, Std2010		2
11	1531127	Wheel 24" Db Solid + Handrim, Stainless, Std2010		2
12	1531128	Wheel 24" Db Punctureproof + Handrim, Stainless, Std2010		2
13	1536613	Wheel 24x1" Db Low Profile + Handrim, Stainless, Std2010		2
14	1524290	Wheel 22" Db Pneu. Profiled + Handrim, Alu, Std2010		2
15	1524289	Wheel 22" Db Pneu. Non-Marking + Handrim, Alu, Std2010		2
16	1524291	Wheel 22" Db Solid + Handrim, Alu, Std2010		2
17	1524292	Wheel 22" Db Punctureproof + Handrim, Alu, Std2010		2
18	1524361	Wheel 22" Db Pneu. Profiled + Handrim, Plastic Coated, Std2010		2
19	1524337	Wheel 22" Db Pneu. Non-Marking + Handrim, Plastic Coated, Std2010		2
20	1524388	Wheel 22" Db Solid + Handrim, Plastic Coated, Std2010		2
21	1524435	Wheel 22" Db Punctureproof + Handrim, Plastic Coated, Std2010		2
22	1536612	Wheel 22x1" Db Low Profile + Handrim, Stainless, Std2010		2
23	1530717	Wheel 24"x1"3/8 Hub Brake Thin Tyre, Without Handrim (Dahlia)		2
24	1530718	Wheel 24"x1"3/8 Hub Brake Notched Tyre Punctureproof, Without Handrim (Dahlia)		2
25	1530719	Wheel 24"x1"3/8 Hub Brake Solid, Without Handrim, (Dahlia)		2
26	1536715	Wheel 24"x1" Hub Brake Thin Tyre Punctureproof, Without Handrim, (Dahlia)		2
27	1492644	Wheel 24" Basic Db, Pneumatic, Profiled + Handrim 21", Alu.		2
28	1492645	Wheel 24" Basic Db, Solid + 21" Alu.		2

24" Standard Wheels accessories



Pos.	Part number	Description	Valid from → until	Qty
1	5750160	Tyre 24"x1" (25-540), Non-Marking		2
2	0036-30001	Pneumatic Tyre, 24" x 1.3/8", Grey		2
3	5750015	Tyre 24"x1 3/8", Solid		1
4	5750014	Tyre 24"x1 3/8" (32-540), Non-Marking		2
5	1505291	Kit Handrim 24"Aluminum 4 fixations		2
6	1505298	Kit Handrim 24"Plastic 4 fixations		2
7	SP1591282	Kit Handrim 24"Stainless 4 fixations		2
8	0036-40003	Rim tape 24"		2
9	5750161	Tube 24"x1" (25-540)		2
10	0036-20001	Inner Tube 24"x1"3/8"		2
11	5207046	Tube 24"x1 3/8", Flex		2
12	1573626	Kit handrim fixation for spoked wheel, 4 pts		2
13	5750165	QR Axle 12mm		2
14	5750166	Kit axle housing + axle QR		2

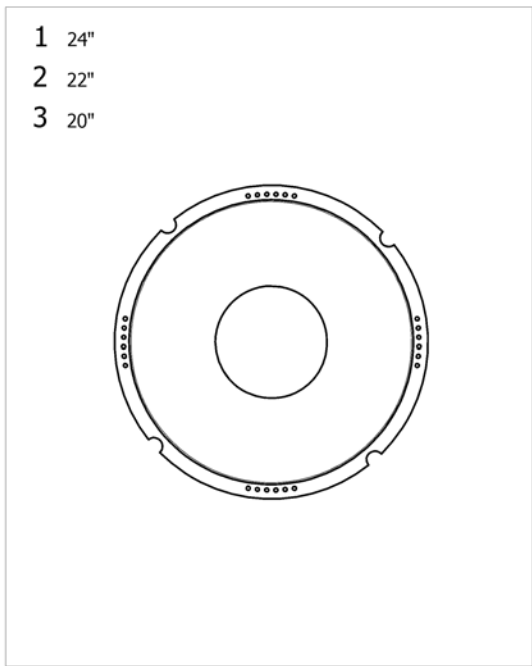
22" & 20" Standard Wheels accessories



ISPS1650689

Pos.	Part number	Description	Valid from → until	Qty
1	1531456	Tyre 22" (25-501) Non-Marking,		2
2	1531454	Tyre 22"x1" (25-501) Low Profile		2
3	1531455	Tyre 22"x1 3/8" (37-501) Profiled		2
4	5750172	Tyre 22" Solid		2
5	1531579	Handrim Aluminium Cpl, 22" Wheel, Std2010		2
6	1531580	Handrim Plastic Cpl, 22" Wheel, Std2010		2
7	1536546	Handrim, Stainless Cpl, 22" Wheel, Std2010		2
8	5750029	Rim tape 22"		2
9	5750035	Tube 22"x1 3/8"		2
10	5750732	TUBE 22		2
11	1573626	Kit handrim fixation for spoked wheel, 4 pts		2
12	5750165	QR Axle 12mm		2
13	5750166	Kit axle housing + axle QR		2
14	5750012	Tyre 20"x1 3/8", Non-Marking		2
15	5750017	Tyre 20"x1 3/8", Profiled		2
16	1530271	Handrim Aluminium Cpl, 20" Wheel, Std2010		2
17	1530272	Handrim Plastic Cpl, 20" Wheel, Std2010		2
18	5750034	Tube 20"x1 3/8"		2

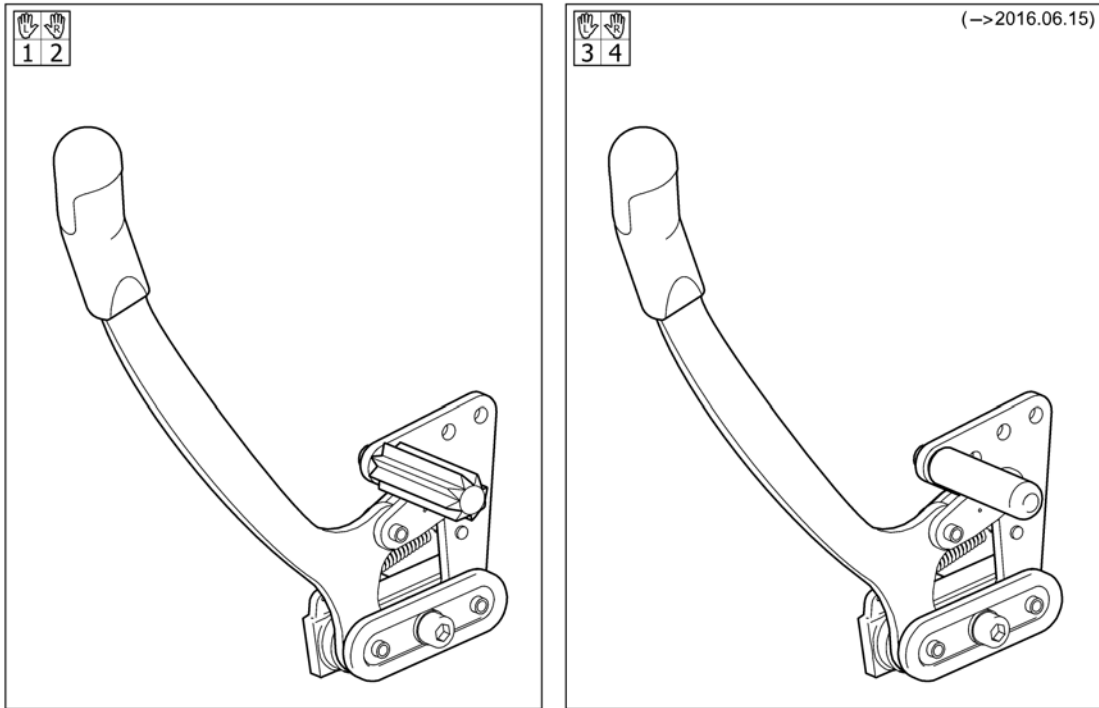
Spoke Guard



ISPS1650690

Pos.	Part number	Description	Valid from → until	Qty
1	5102807	Spoke Protection 24" Frosted Cpl		2
2	5102800	Spoke Protection 22" Frosted Cpl		2
3	5102795	Spoke Protection 20" Frosted Cpl		2

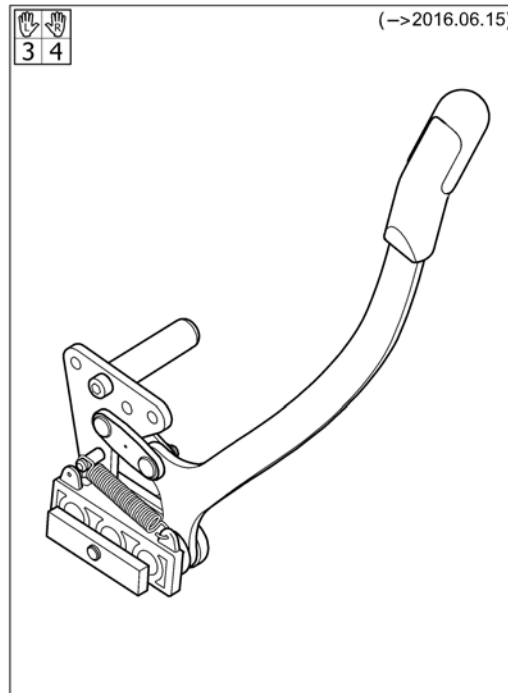
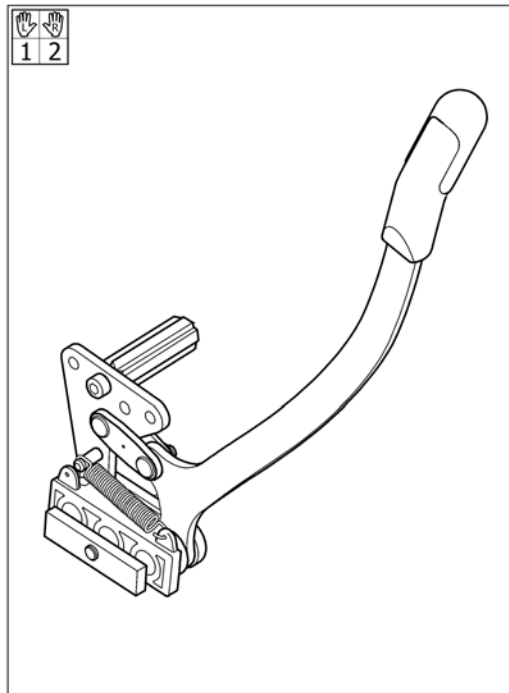
Brakes



SP1586410

Pos.	Part number	Description	Valid from → until	Qty
1	SP1588553	BRAKE, LEFT		1
2	SP1588552	BRAKE, RIGHT		1
3	1486411	BRAKE LEFT, AZALEA		1
4	1486410	BRAKE RIGHT, AZALEA		1

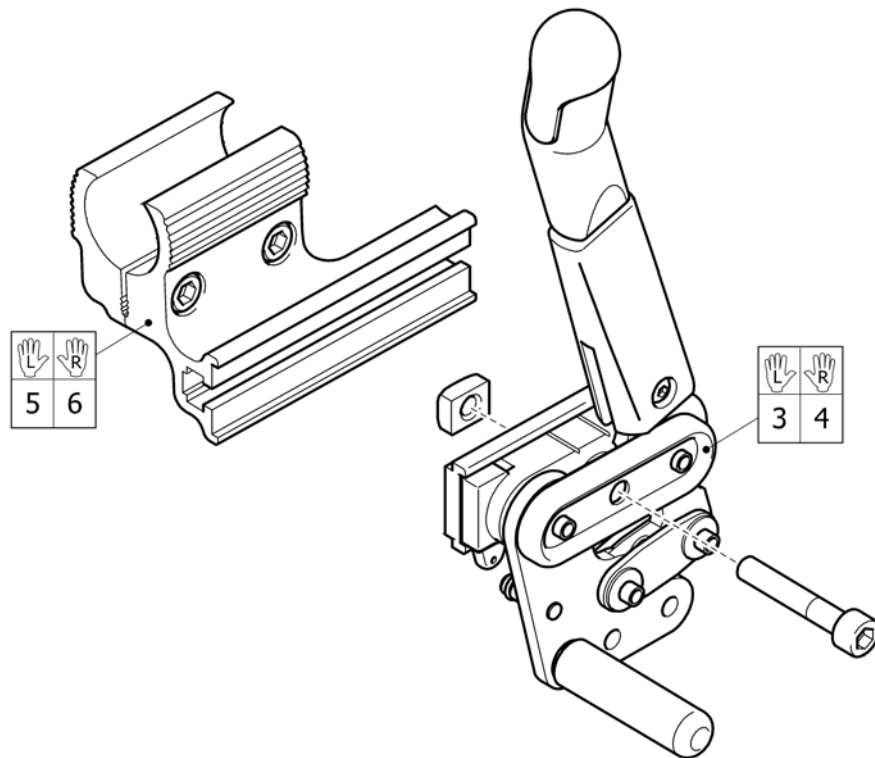
Brake, Azalea Minor/Azalea Base sw34



06881565

Pos.	Part number	Description	Valid from → until	Qty
1	SP1588568	BRAKE, BENT LEVER, LEFT		1
2	SP1588567	BRAKE, BENT LEVER, RIGHT		1
3	1508981	BRAKE CPL BENT LEVER, LEFT		1
4	1508980	BRAKE CPL BENT LEVER, RIGHT		1

Brake, Azalea Max

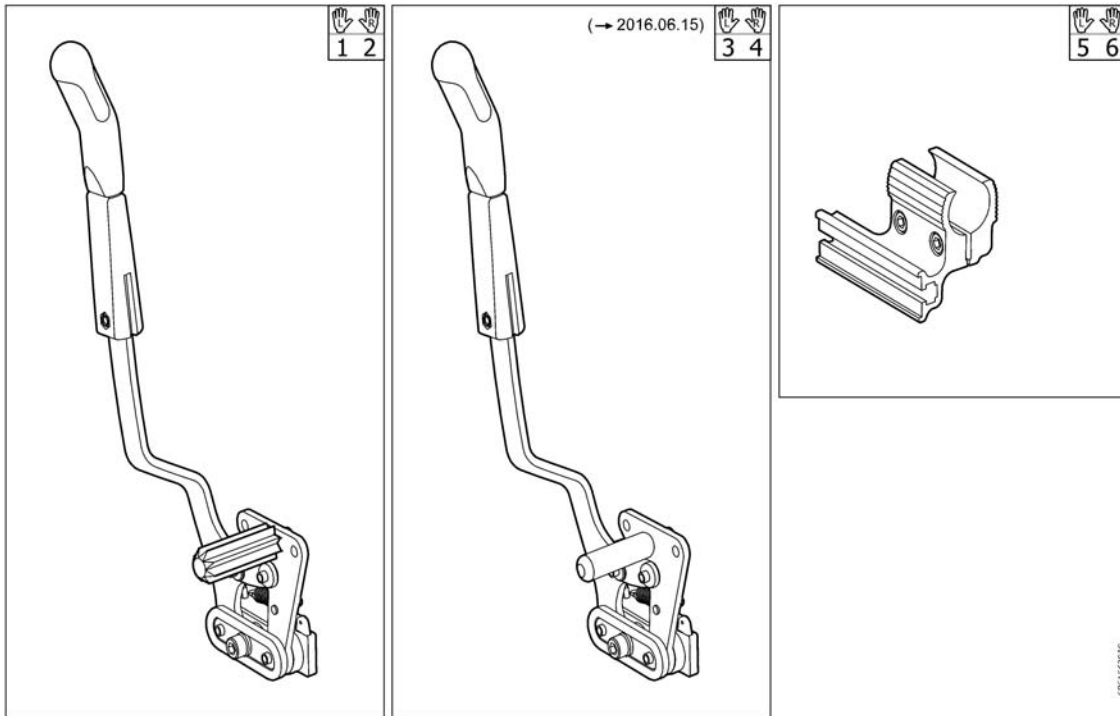


Pos.	Part number	Description	Valid from → until	Qty
1	1524719	Brake, LH, With Attachment, Azalea Max		1
2	1524720	Brake, RH, With Attachment, Azalea Max		1
3	1535752	Brake, LH, Azalea Max		1
4	1535753	Brake, RH, Azalea Max		1
5	1518621	Attachment Le, Brake Extended		1
6	1518620	Attachment Ri, Brake Extended		1

Attachment Ri, Brake Extended

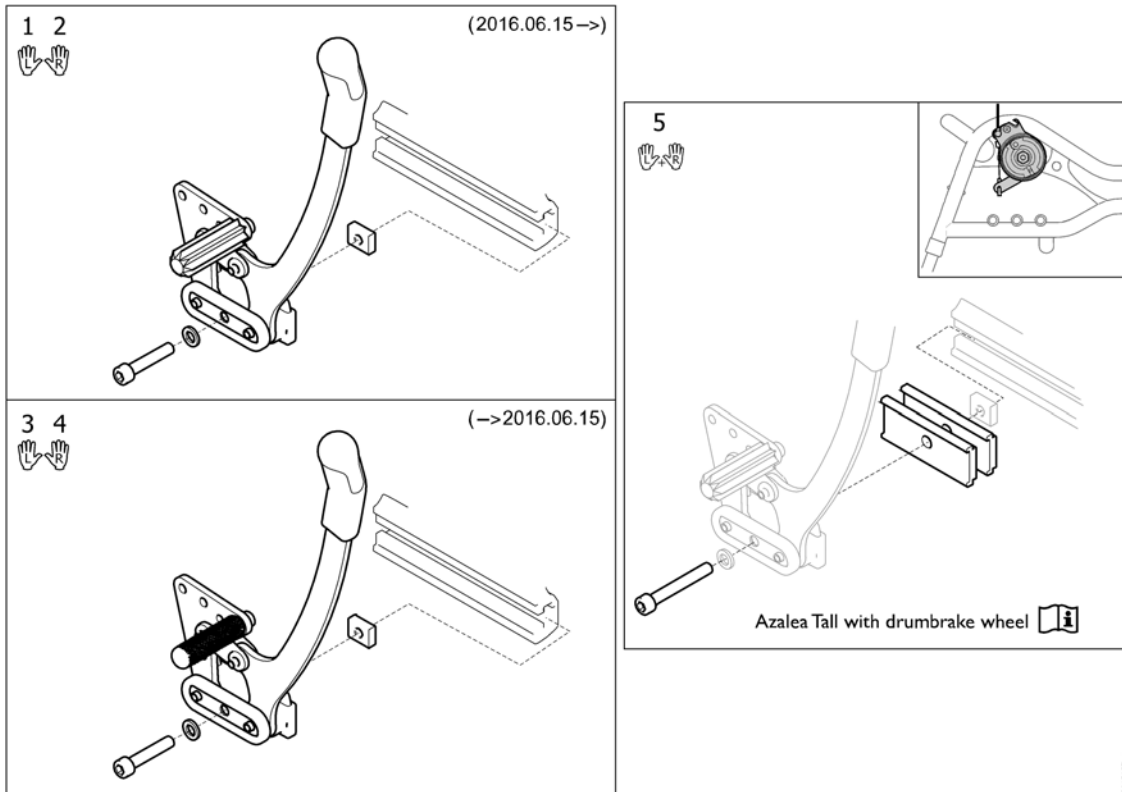
Pos.	Part number	Description	Valid from → until	Qty
DG	5221304	BRAKE CLAMP INNER 25		1
DG	5226143	BRAKE CLAMP OUTER RI,XLT		1
DG	5724089	SCREW MC6S M6X25 FZB 8.8 DIN 912		2

Brake, extended, Azalea Max

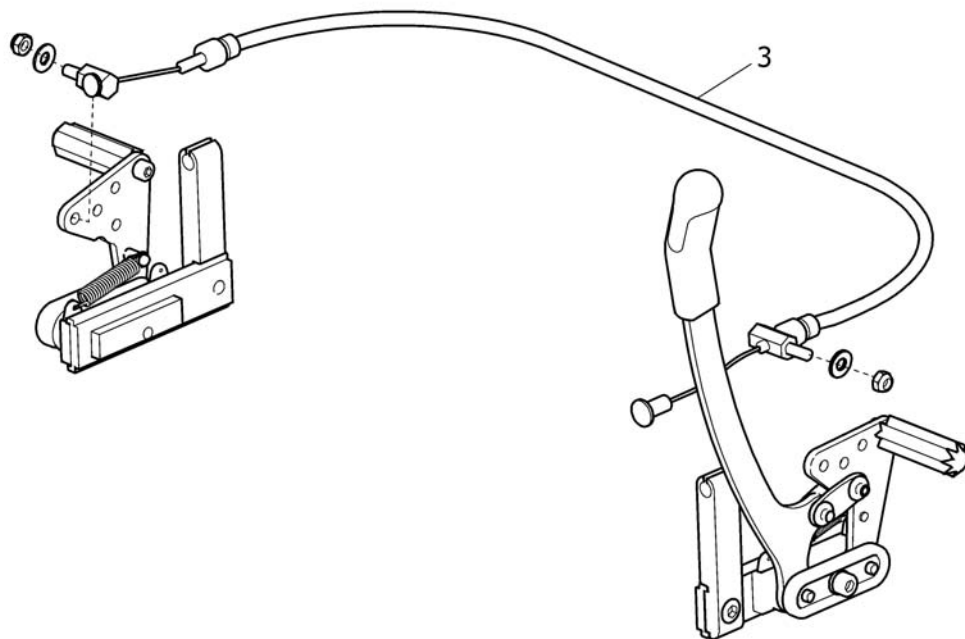


Pos.	Part number	Description	Valid from → until	Qty
1	SP1590613	Brake, Extended, Left, with a ttachment		1
2	SP1590612	Brake, Extended, Right, with attachment		1
3	SP1570441	Brake, Extended, Left		1
4	SP1570440	Brake, Extended, Right		1
5	1518621	Attachment Le, Brake Extended		1
6	1518620	Attachment Ri, Brake Extended		1

Brake, Azalea Tall



Pos.	Part number	Description	Valid from → until	Qty
1	SP1588553	BRAKE, LEFT		1
2	SP1588552	BRAKE, RIGHT		1
3	1486411	BRAKE LEFT, AZALEA		1
4	1486410	BRAKE RIGHT, AZALEA		1
5	SP1517109	SPACER KIT 10MM , BRAKE		1

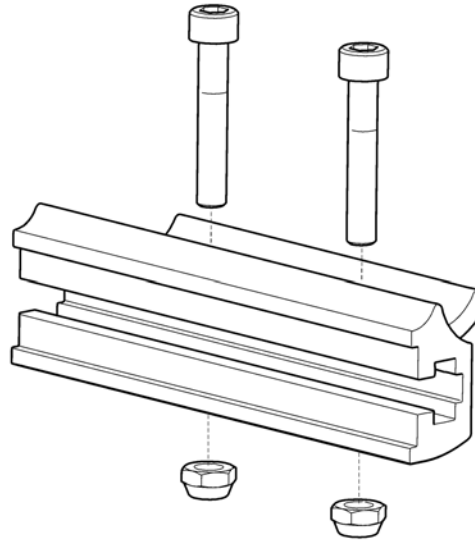


SPS1575306

Pos.	Part number	Description	Valid from → until	Qty
1	SP1575306	BRAKE, ONE ARM, LH, CPL AZALEA		1
2	SP1575307	BRAKE, ONE ARM, RH, CPL AZALEA		1
3	SP1514742	WIRE CONTROL ONE ARM BRAKE		1

Brake attachment

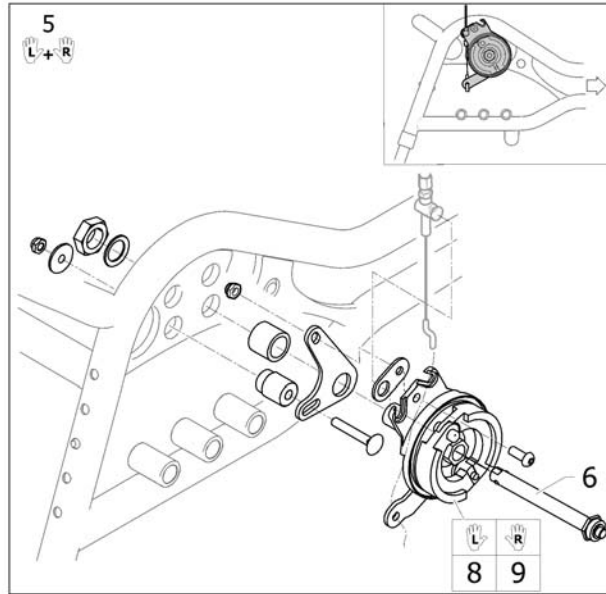
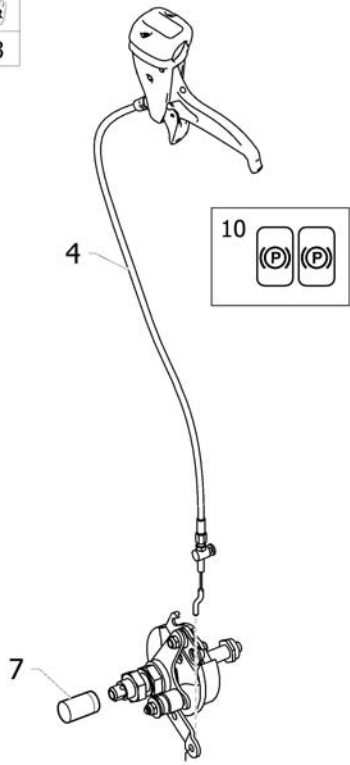
1



SFS1449001

Pos.	Part number	Description	Valid from → until	Qty
	1491317	BRAKE ATTACHMENT CPL.		1

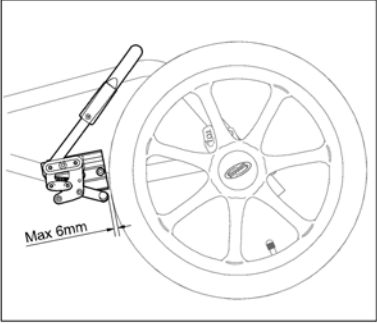
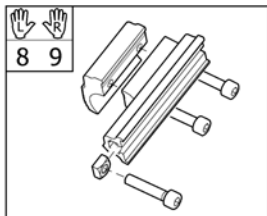
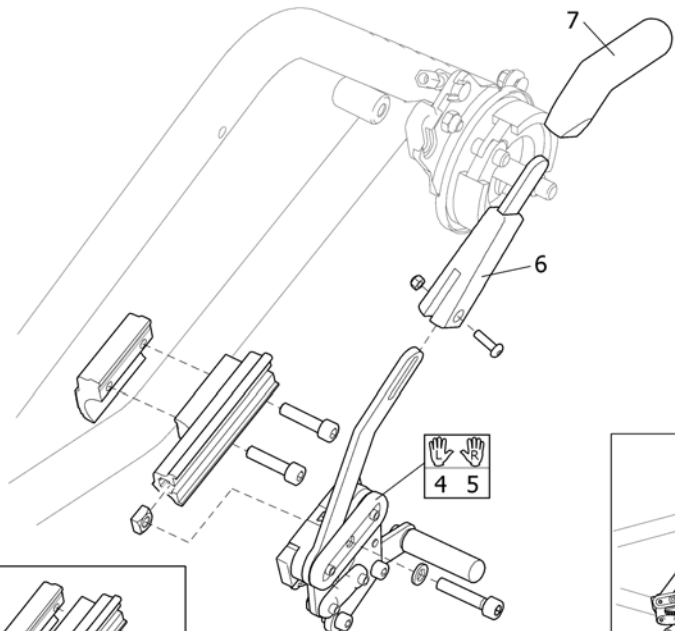
Drumbrake, assistant manoeuvred



ISPS1536758

Pos.	Part number	Description	Valid from → until	Qty
1	1536757	BRAKE KIT DB CPL, PAIR		1
2	1536758	BRAKE KIT DB LEFT, CPL		1
3	1536759	BRAKE KIT DB RIGHT, CPL		1
4	SP1527425	Cable assy 1235mm, brake		1
5	1536543	BRAKE KIT DB CPL, PAIR		1
6	5750192	Axle, Drumbrake		1
7	5100925	PROTECTION CAP		1
8	1536252	DRUMBRAKE UNIT, RIGHT, MBL		1
9	1536253	DRUMBRAKE UNIT, LEFT, MBL		1
10	1536764	DECAL, CABLE ASSEMBLY, BRAKE		1

Brake, user manoeuvred, 16 wheel

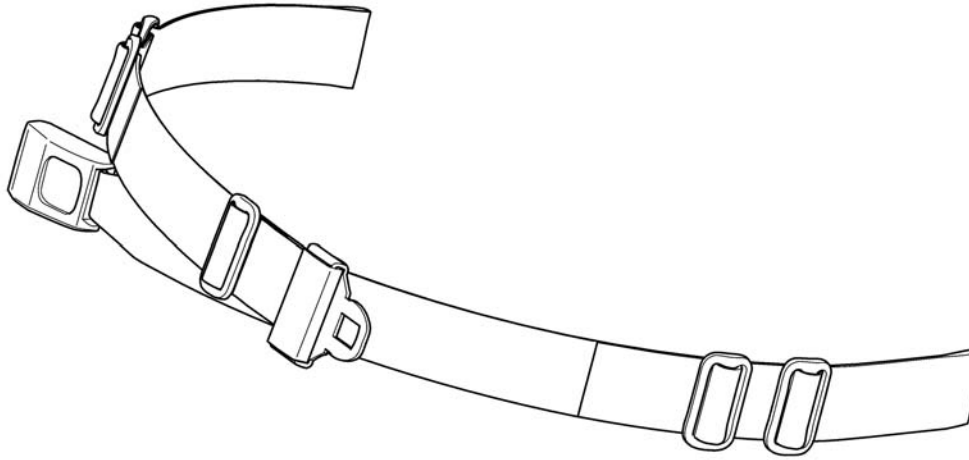


SP5146119

Pos.	Part number	Description	Valid from → until	Qty
1	1444335	BRAKE USER MANOEUVERED PAIR CPL 16WHEEL ASSIST		1
2	1446119	BRAKE USER MANOEUVERED LE CPL 16 WHEEL ASSIST		1
3	1446118	BRAKE USER MANOEUVERED RI CPL 16 WHEEL ASSIST		1
4	1446117	BRAKE BODY LE, USER BRAKE, 16" WHEEL		1
5	1446116	BRAKE BODY RI, USER BRAKE, 16" WHEEL		1
6	SP5203340	Brake arm extension, cpl.		1
7	SP5221280	HANDLE GRIP FOR PARKING BRAKE		1
8	5240240	ATTACHMENT, BRAKE, LH, CPL		1
9	5240241	ATTACHMENT, BRAKE, RH, CPL		1

Pelvic belt

1

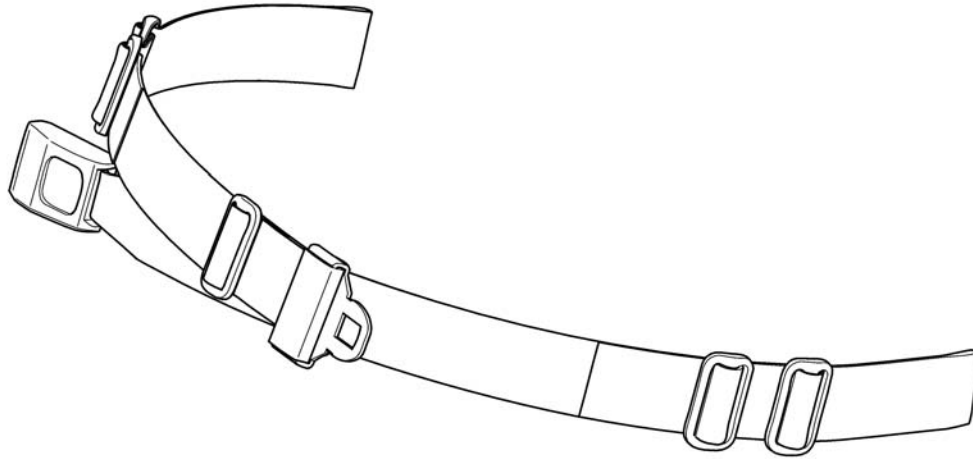


1551066

Pos.	Part number	Description	Valid from → until	Qty
1	1551066	Pelvic belt		1

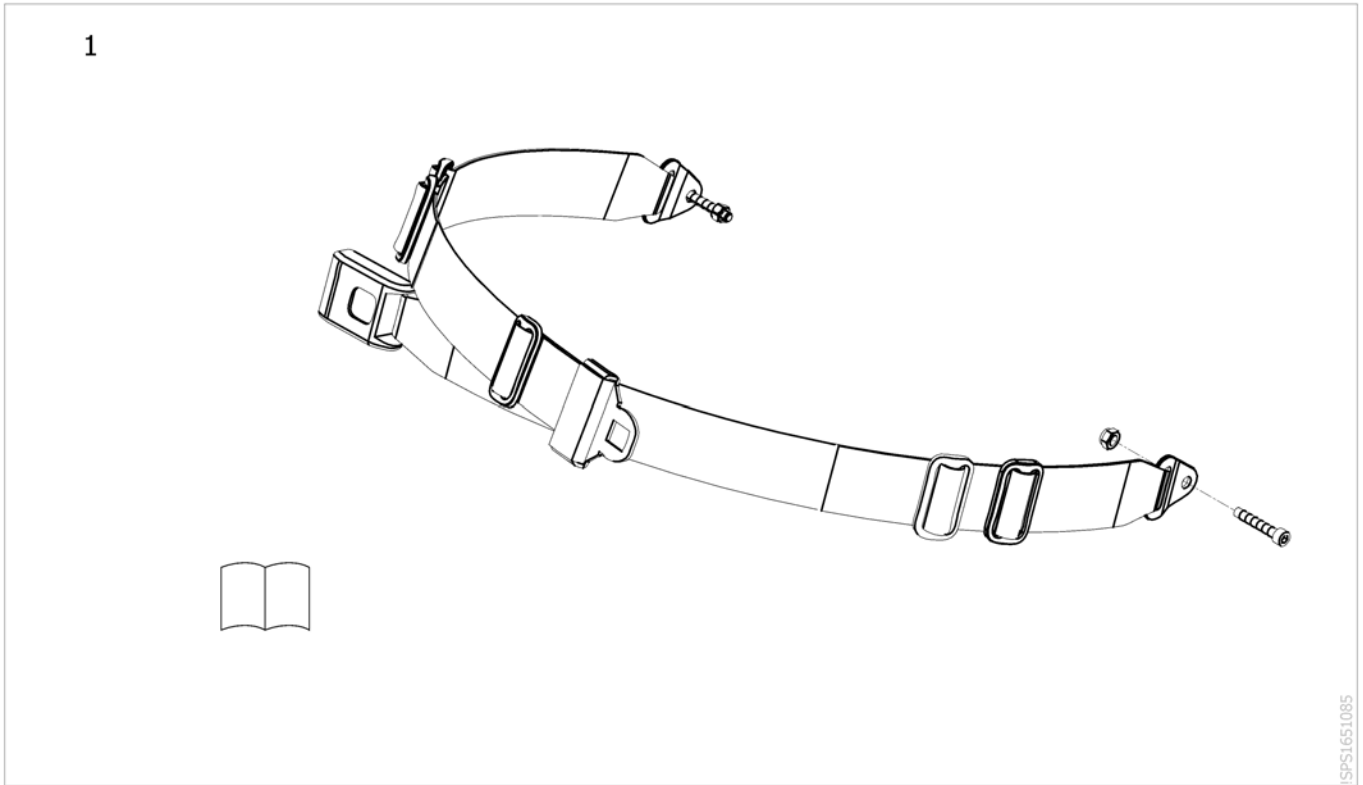
Pelvic belt, Max

1



1551067

Pos.	Part number	Description	Valid from → until	Qty
1	1551067	Lap Belt Autolock, long		1



Pos.	Part number	Description	Valid from → until	Qty
1	SP1651092	Pelvic Belt, Azalea Base		1

X-harness, Azalea Minor

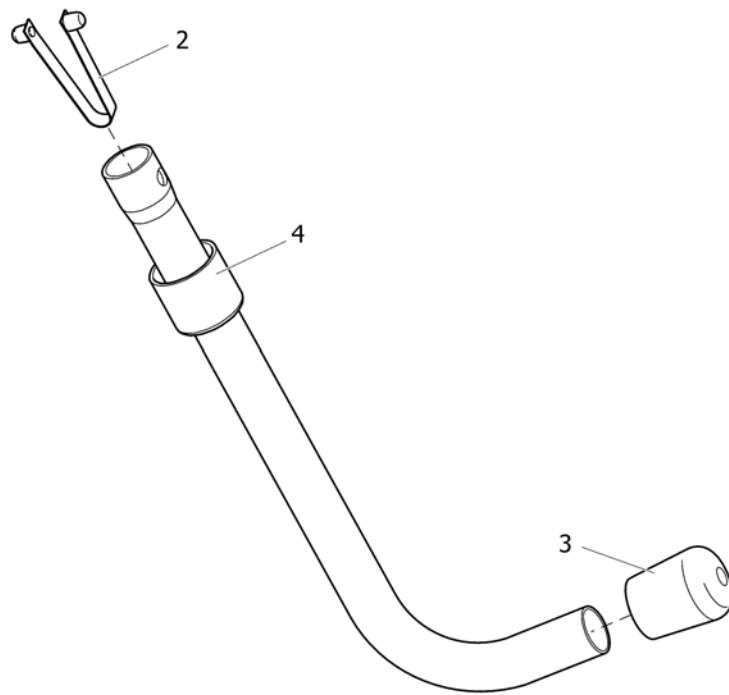
1



Pos.	Part number	Description	Valid from → until	Qty
1	1512914	X-harness incl. fixation		1

Anti-tip device

1

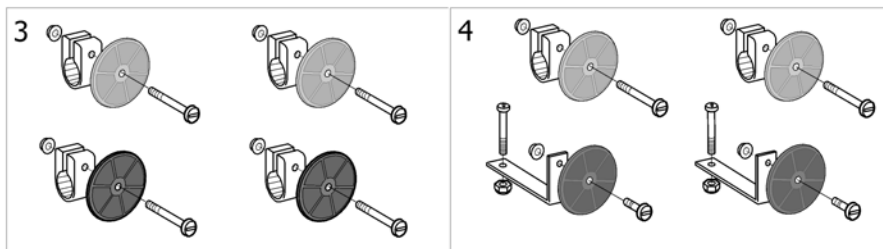
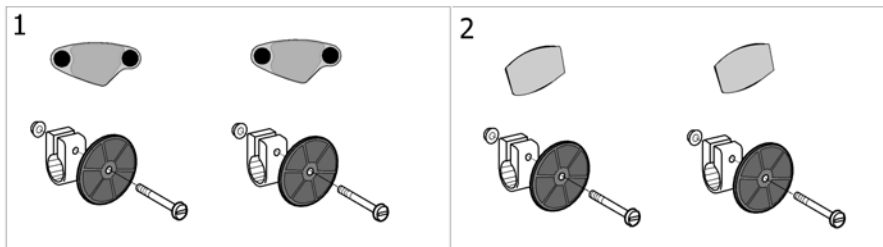


SP5103109

Pos.	Part number	Description	Valid from → until	Qty
1	1439933	ANTI-TIP DEVICE CPL		1
2	5321593	SPRING LOCK (DOBBLE)		1
3	5716493	END CAP Ø18, RUBBER BLACK		1
4	SP5103109	ENDSLEEVE FOOTREST 10-PACK		1

Reflectors

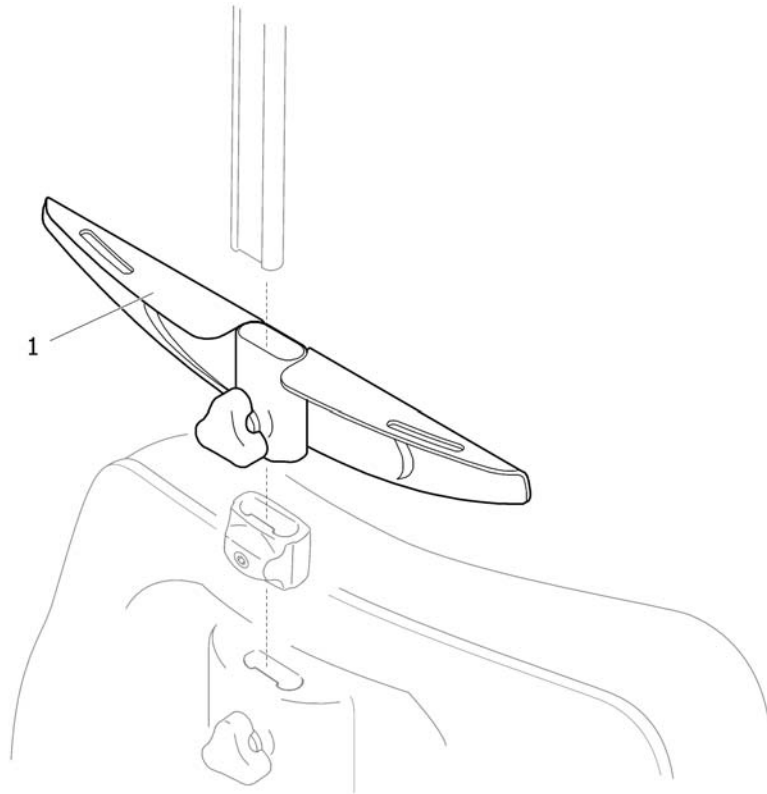
	Clematis	Azalea	Dahlia
	1	1	1
	2	2	2
	3	3	4



10081648801

Pos.	Part number	Description	Valid from → until	Qty
1	SP5206655	Reflector kit 20-24"		1
2	SP1575580	Reflector kit cpl Wheel spoked Spokeguard		1
3	SP5254249	Reflector kit 16"		1
4	1546559	Reflector Kit 9		1

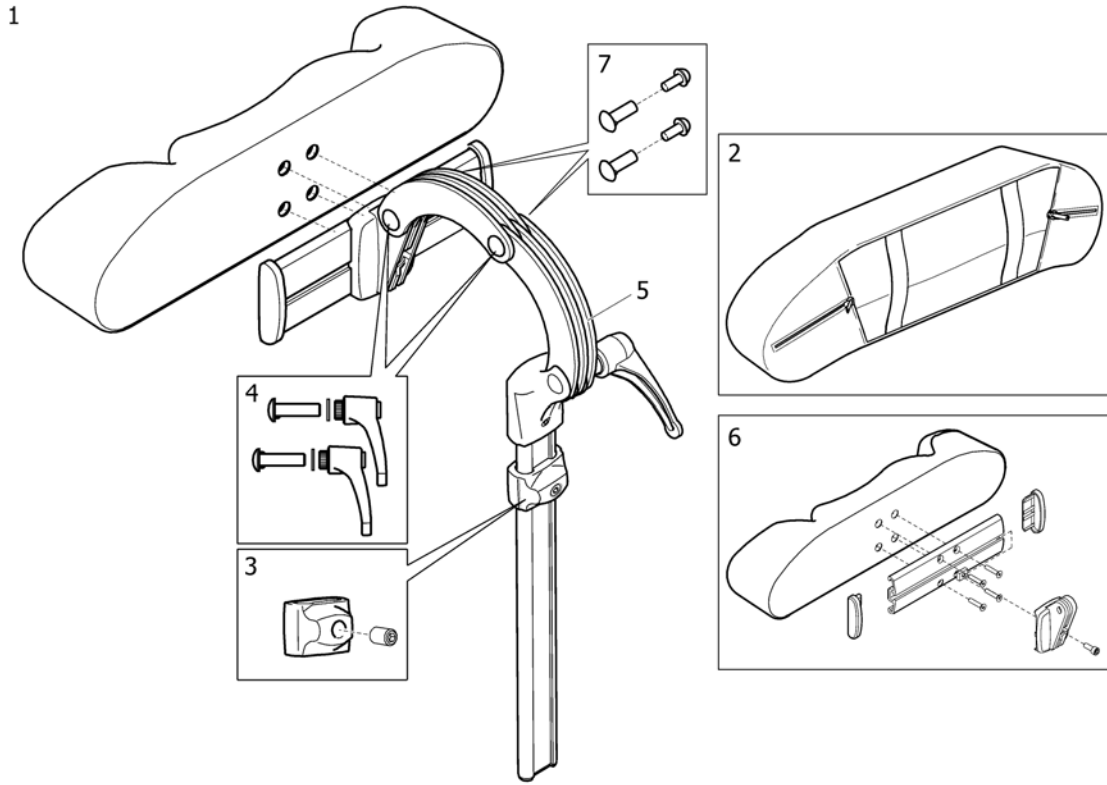
Attachment, X-harness, Flex3



01000001

Pos.	Part number	Description	Valid from → until	Qty
1	SP1559963	Attachment, X-harness, Flex3		1

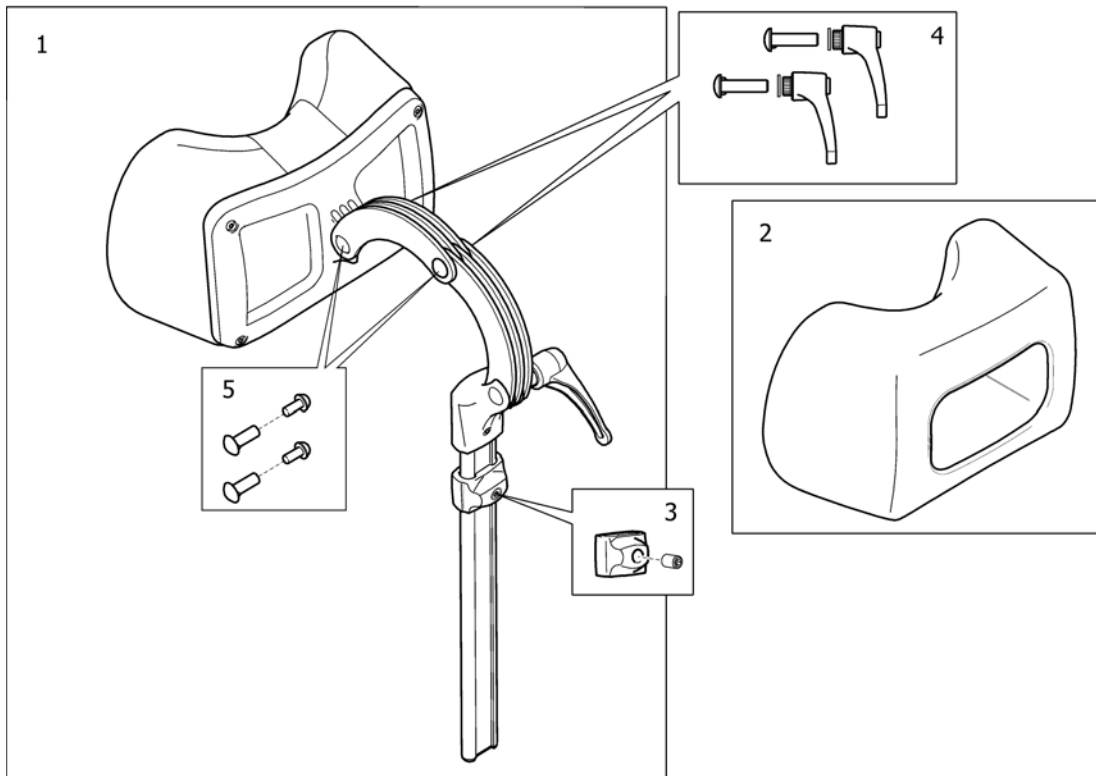
Headrest



SPS144659

Pos.	Part number	Description	Valid from → until	Qty
1	1446559	Headrest, Sidewise Adj.		1
2	1518516	Cover, Headrest		1
3	SP1448661	stop neck and headrest		1
4	1445693	CLINIC KIT, NECK- & HEADREST		1
5	1485538	Headrest fixation kit		1
6	1530755	HEADREST CUSHION CPL		1
7	SP1572769	FASTENERS KIT, HEAD- & NECKREST		1

Neckrest

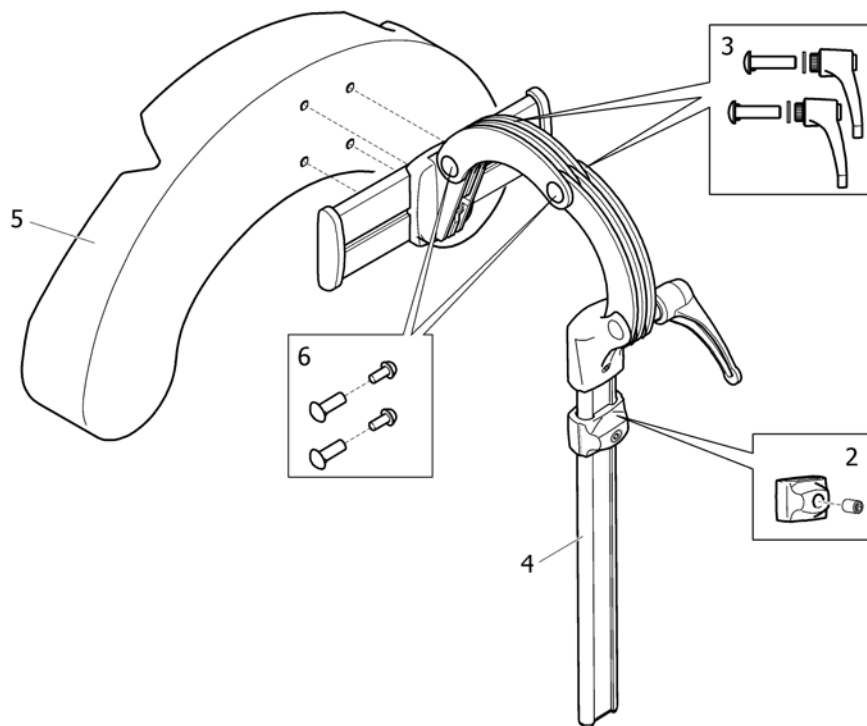


SP150848

Pos.	Part number	Description	Valid from → until	Qty
1	1508848	NECKREST		1
2	1518517	COVER, NECKREST		1
3	SP1448661	stop neck and headrest		1
4	1445693	CLINIC KIT, NECK- & HEADREST		1
5	SP1572769	FASTENERS KIT, HEAD- & NECKREST		1

Cheek support

1

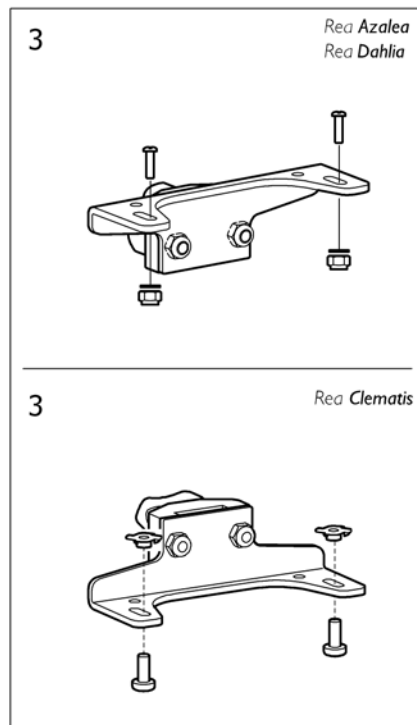
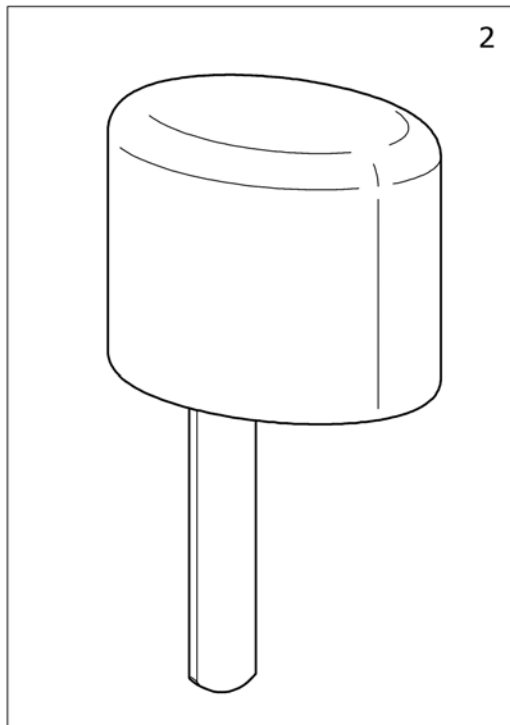


SP1446560

Pos.	Part number	Description	Valid from → until	Qty
1	SP1446560	Head/cheek support TR26 cpl. sidwise adjustable		1
2	SP1448661	stop neck and headrest		1
3	1445693	CLINIC KIT, NECK- & HEADREST		1
4	1485538	Headrest fixation kit		1
5	1444304	Cushion, cheek support		1
6	SP1572769	FASTENERS KIT, HEAD- & NECKREST		1

Pommel

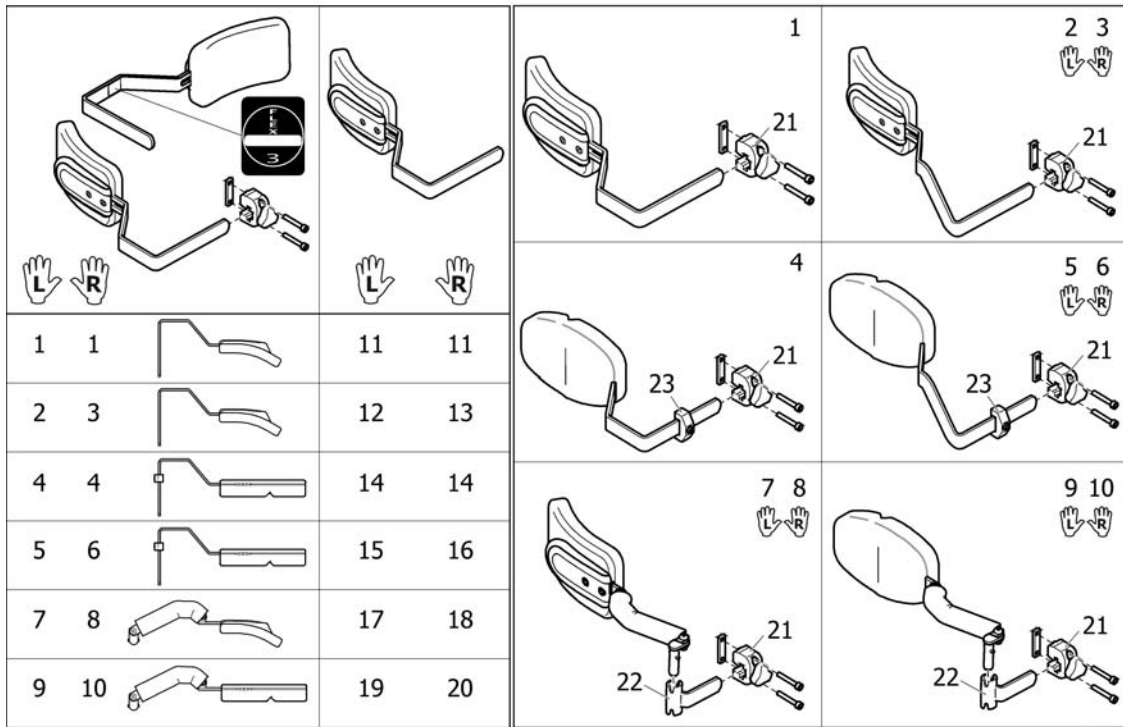
1



SP144172

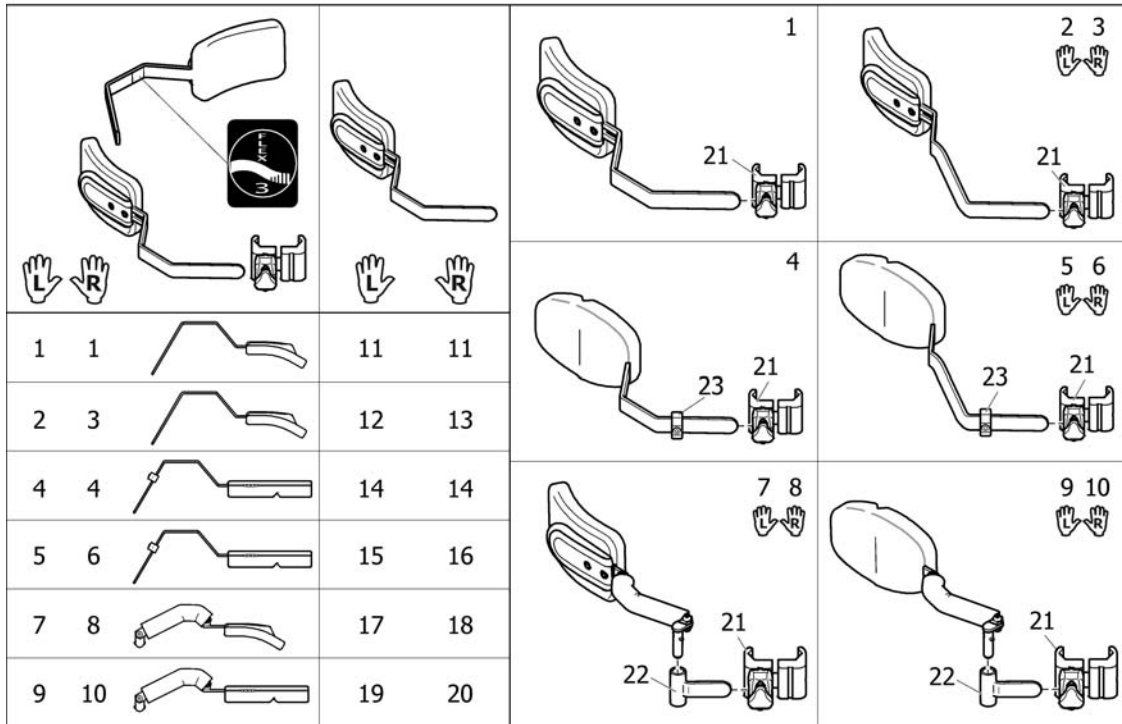
Pos.	Part number	Description	Valid from → until	Qty
1	SP1449897	Pommel (incl attachment), dartex black (Azalea/Clematis)		1
2	1444172	Pommel, Dartex Black		1
3	SP1450464	Holder pommel, Azalea/Clematis		1

Trunk supports, Flex3 backrest



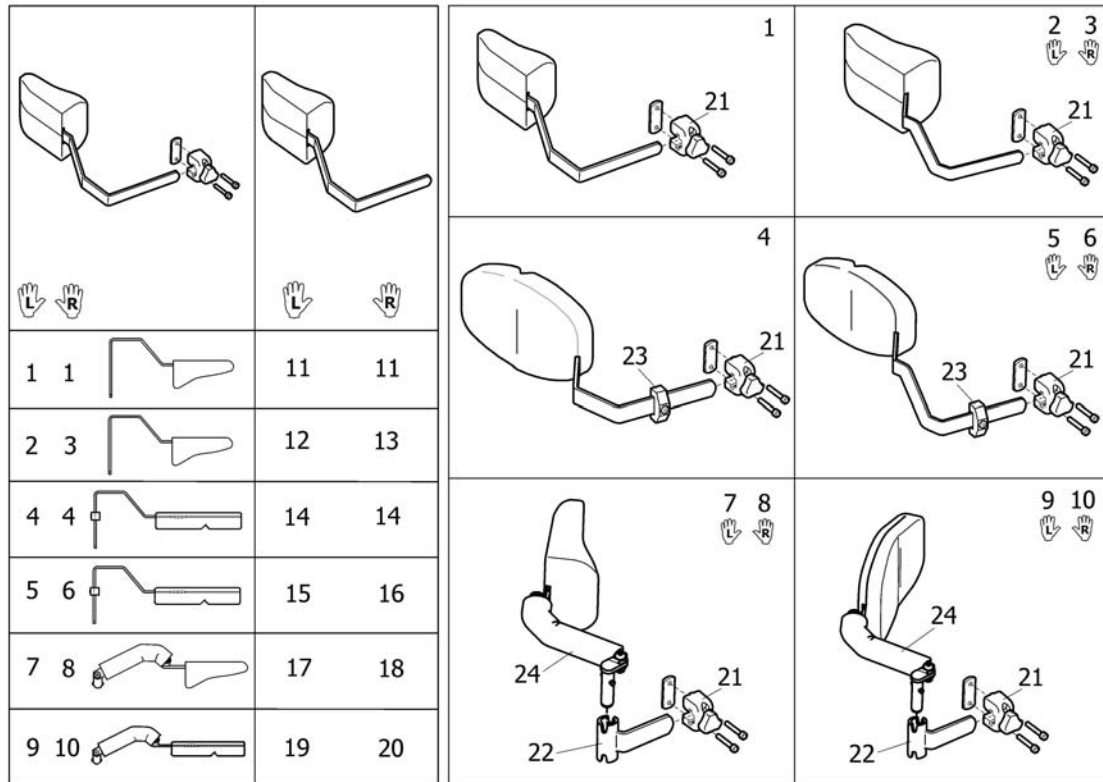
Pos.	Part number	Description	Valid from → until	Qty
1	SP1557672	Trunk support 2012, cpl.		1
2	SP1552680	Trunk support 2012, le, extended, cpl.		1
3	SP1552681	Trunk support 2012, ri, extended, cpl.		1
4	SP1552726	Trunk support 2012, multi adj, cpl.		1
5	SP1552728	Trunk support 2012, le, multi adj, extended, cpl.		1
6	SP1552729	Trunk support 2012, ri, multi adj, extended, cpl.		1
7	SP1557673	Trunk support 2012, le, swingaway, cpl.		1
8	SP1557674	Trunk support 2012, ri, swingaway, cpl.		1
9	SP1557675	Trunk support 2012, le, multi adj, Swingaway, cpl.		1
10	SP1557676	Trunk support 2012, ri, multi adj, Swingaway, cpl.		1
11	SP1552698	Trunk support 2012		1
12	SP1552678	Lateral support extended, cpl. - left		1
13	SP1552679	Lateral support extended, cpl. - right		1
14	SP1555690	Trunk support 2012, multi adj.		1
15	SP1555692	Lateral support, multi-adjustable, cpl. - left		1
16	SP1555691	Lateral support, multi-adjustable, cpl. - right		1
17	SP1551853	Trunk Support 2012, Le, Swingaway		1
18	SP1551866	Trunk Support 2012, Ri, Swingaway		1
19	SP1529225	Trunk support, multi adj., left		1
20	SP1529224	Trunk support, multi adj., right		1
21	SP1543574	Lateral Support Bracket Flex3		1
22	SP1524903	Retainer, Trunk Support		1
23	SP1448728	Memory, Trunk support		1

Trunk supports, Flex3 tension adj. backrest



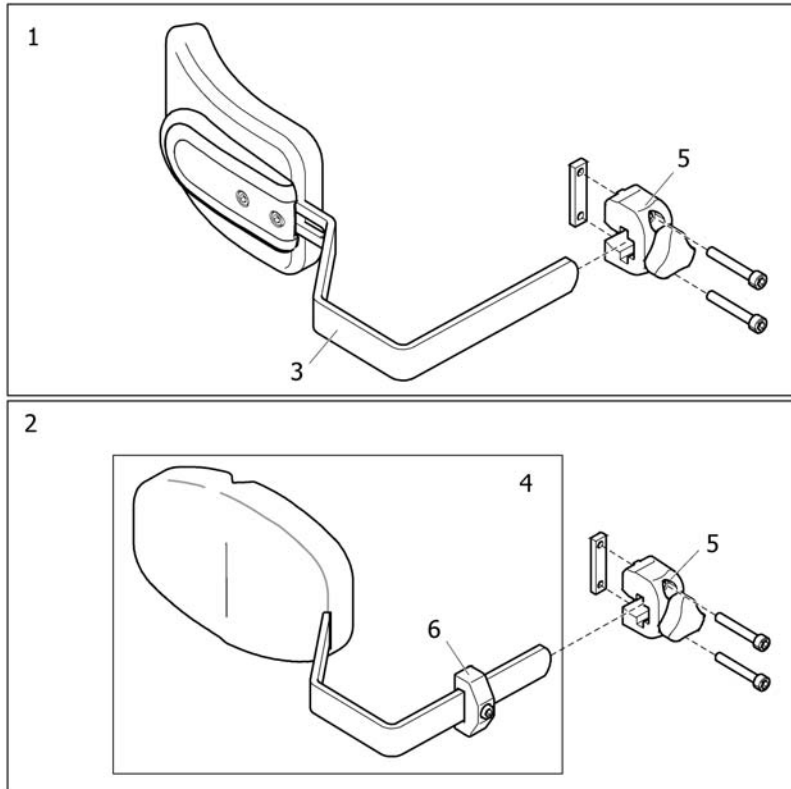
Pos.	Part number	Description	Valid from → until	Qty
1	SP1561730	Trunk support 2012, cpl, Flex3 tension adj.		1
2	SP1562962	Trunk support 2012, le, extended, cpl, Flex3 tension adj.		1
3	SP1562963	Trunk support 2012, ri, extended, cpl, Flex3 tension adj.		1
4	SP1561729	Trunk support 2012, multi adj, cpl, Flex3 tension adj.		1
5	SP1562960	Trunk support 2012, le, multi adj, extended, cpl, Flex3 tension adj.		1
6	SP1562961	Trunk support 2012, ri, multi adj, extended, cpl, Flex3 tension adj.		1
7	SP1561641	Trunk support 2012, le, swingaway, cpl, Flex3 tension adj.		1
8	SP1561642	Trunk support 2012, ri, swingaway, cpl, Flex3 tension adj.		1
9	SP1561651	Trunk support 2012, le, multi adj, Swingaway, cpl, Flex3 tension adj.		1
10	SP1561652	Trunk support 2012, ri, multi adj, Swingaway, cpl, Flex3 tension adj.		1
11	SP1561728	Trunk support 2012, Flex3 tension adj.		1
12	SP1562922	Trunk support 2012, le, extended, Flex3 tension adj.		1
13	SP1562921	Trunk support 2012, ri, extended, Flex3 tension adj.		1
14	SP1561727	Trunk support 2012, multi adj, Flex3 tension adj.		1
15	SP1562920	Lateral Support, Flex3 back, tension adj., extended, multi-adj. - LH		1
16	SP1562919	Lateral Support, Flex3 back, tension adj., extended, multi-adj. - RH		1
17	SP1551853	Trunk Support 2012, Le, Swingaway		1
18	SP1551866	Trunk Support 2012, Ri, Swingaway		1
19	SP1529225	Trunk support, multi adj., left		1
20	SP1529224	Trunk support, multi adj., right		1
21	SP1554143	Mounting hardware Lateral Supports, Flex3 back, tension adj.		1
22	SP1524903	Retainer, Trunk Support		1
23	SP1448728	Memory, Trunk support		1

Trunk supports, Flex2



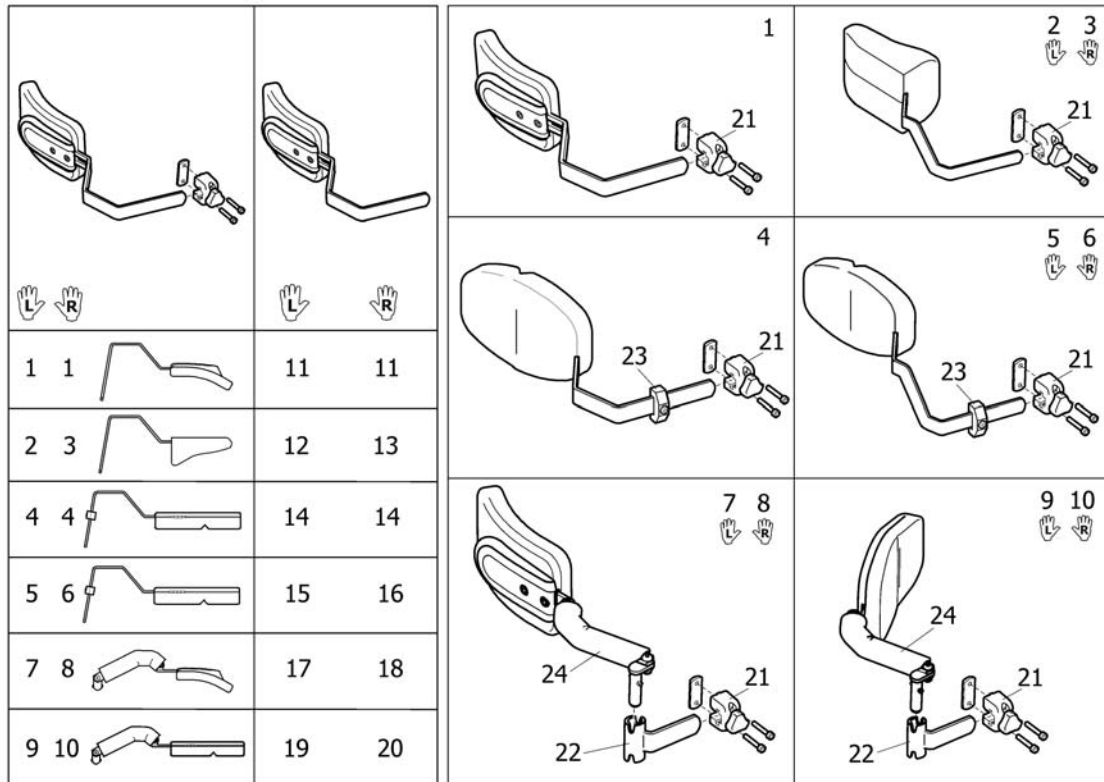
Pos.	Part number	Description	Valid from → until	Qty
1	SP1445798	TRUNK SUPPORT, FIXED, CPL.		1
2	SP1492608	TRUNK SUPPORT, LE, EXTENDED, CPL. (ATTACHMENT INCL.)		1
3	SP1492609	TRUNK SUPPORT, RI, EXTENDED, CPL. (ATTACHMENT INCL.)		1
4	SP1448692	Lateral Support, multi adjustable - LH		1
5	SP1484447	TRUNK SUPPORT, LE, MULTI ADJ. EXTENDED, CPL. (ATTACHMENT INCL.)		1
6	SP1484448	TRUNK SUPPORT, RI, MULTI ADJ. EXTENDED, CPL. (ATTACHMENT INCL.)		1
7	SP1448697	TRUNK SUPPORT, LE, SWINGAWAY, CPL. (ATTACHMENT INCL.)		1
8	SP1448698	TRUNK SUPPORT, RI, SWINGAWAY, CPL. (ATTACHMENT INCL.)		1
9	SP1530457	TRUNK SUPPORT, LE, MULTI ADJ. SWINGAWAY, CPL. (ATTACHMENT INCL.)		1
10	SP1530456	TRUNK SUPPORT, RI, MULTI ADJ. SWINGAWAY, CPL. (ATTACHMENT INCL.)		1
11	SP1445799	TRUNK SUPPORT		1
12	1485420	TRUNK SUPPORT, LE, EXTENDED		1
13	1485419	TRUNK SUPPORT, RI, EXTENDED		1
14	SP1444207	TRUNK SUPPORT, TR26, CPL.		1
15	1485418	TRUNK SUPPORT, LE, MULTI ADJ. EXTENDED		1
16	1485417	TRUNK SUPPORT, RI, MULTI ADJ. EXTENDED		1
17	1451822	Lateral support, multi adjustable - LH		1
18	1451821	Lateral support, multi adjustable - RH		1
19	SP1529225	Trunk support, multi adj., left		1
20	SP1529224	Trunk support, multi adj., right		1
21	5253170	Lateral Support Bracket		1
22	1524903	Bracket LH/RH		1
23	SP1448728	Memory, Trunk support		1
24	1437642	Trunk Protection Dartex		1

Trunk supports, Azalea MAX



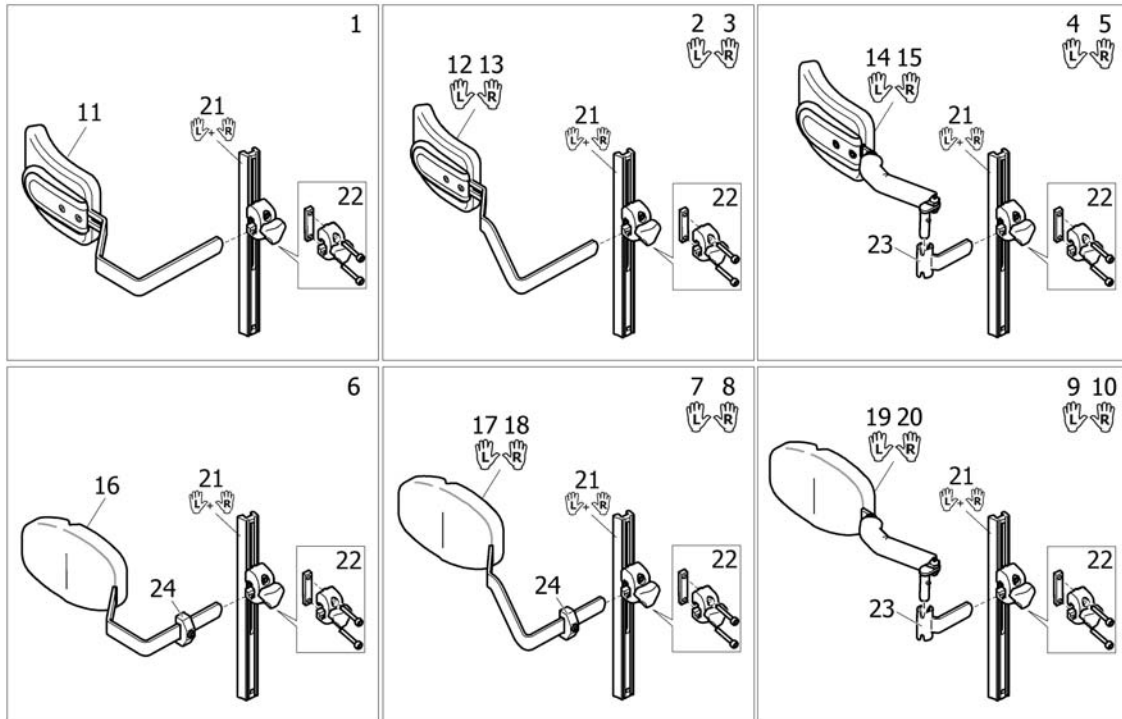
Pos.	Part number	Description	Valid from → until	Qty
1	SP1563735	TRUNK SUPPORT, FIXED, AZALEA MAX		1
2	SP1563737	TRUNK SUPPORT, MULTIADJ. AZALEA MAX		1
3	SP1563734	TRUNK SUPPORT 2012, MAX		1
4	SP1563736	TRUNK SUPPORT, MAX MULTI ADJ.		1
5	5253170	Lateral Support Bracket		1
6	SP1448728	Memory, Trunk support		1

Trunk supports, Azalea Minor



Pos.	Part number	Description	Valid from → until	Qty
1	SP1551850	TRUNK SUPPORT 2012, CPL, INCL. ATTACHMENT, AZALEA MINOR		1
2	SP1492608	TRUNK SUPPORT, LE, EXTENDED, CPL. (ATTACHMENT INCL.)		1
3	SP1492609	TRUNK SUPPORT, RI, EXTENDED, CPL. (ATTACHMENT INCL.)		1
4	SP1448692	Lateral Support, multi adjustable - LH		1
5	SP1484447	TRUNK SUPPORT, LE, MULTI ADJ. EXTENDED, CPL. (ATTACHMENT INCL.)		1
6	SP1484448	TRUNK SUPPORT, RI, MULTI ADJ. EXTENDED, CPL. (ATTACHMENT INCL.)		1
7	SP1551851	TRUNK SUPPORT, LE, SWINGAWAY, AZALEA MINOR		1
8	SP1551852	TRUNK SUPPORT, RI, SWINGAWAY, AZALEA MINOR		1
9	SP1530457	TRUNK SUPPORT, LE, MULTI ADJ. SWINGAWAY, CPL. (ATTACHMENT INCL.)		1
10	SP1530456	TRUNK SUPPORT, RI, MULTI ADJ. SWINGAWAY, CPL. (ATTACHMENT INCL.)		1
11	1557653	TRUNK SUPPORT 2012, AZALEA MINOR		1
12	1485420	TRUNK SUPPORT, LE, EXTENDED		1
13	1485419	TRUNK SUPPORT, RI, EXTENDED		1
14	SP1444207	TRUNK SUPPORT, TR26, CPL.		1
15	1485418	TRUNK SUPPORT, LE, MULTI ADJ. EXTENDED		1
16	1485417	TRUNK SUPPORT, RI, MULTI ADJ. EXTENDED		1
17	1551853	TRUNK SUPPORT 2012, LE, SWINGAWAY		1
18	1551866	TRUNK SUPPORT 2012, RI, SWINGAWAY		1
19	SP1529225	Trunk support, multi adj., left		1
20	SP1529224	Trunk support, multi adj., right		1
21	5253170	Lateral Support Bracket		1
22	1524903	Bracket LH/RH		1
23	SP1448728	Memory, Trunk support		0
24	1437642	Trunk Protection Dartex		1

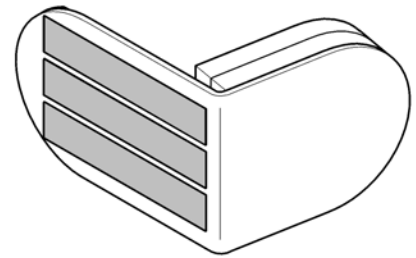
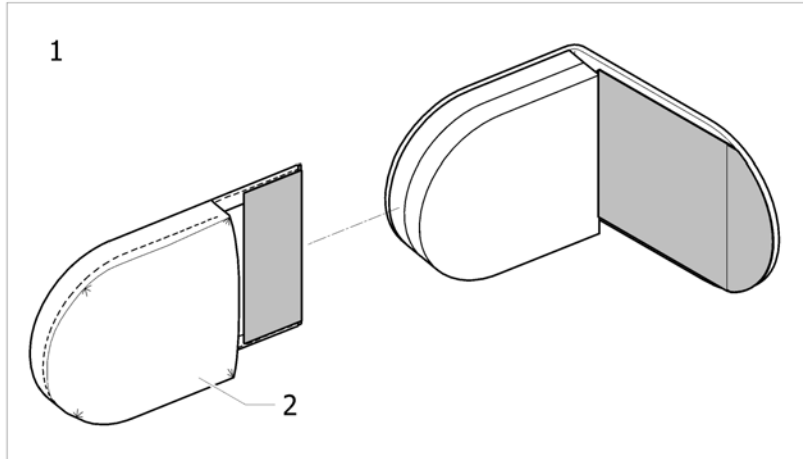
Trunk supports, Laguna2 backrest



SP158681

Pos.	Part number	Description	Valid from → until	Qty
1	SP1557672	Trunk support 2012, cpl.		1
2	SP1552680	Trunk support 2012, le, extended, cpl.		1
3	SP1552681	Trunk support 2012, ri, extended, cpl.		1
4	SP1557673	Trunk support 2012, le, swingaway, cpl.		1
5	SP1557674	Trunk support 2012, ri, swingaway, cpl.		1
6	SP1552726	Trunk support 2012, multi adj, cpl.		1
7	SP1552728	Trunk support 2012, le, multi adj, extended, cpl.		1
8	SP1552729	Trunk support 2012, ri, multi adj, extended, cpl.		1
9	SP1557675	Trunk support 2012, le, multi adj, Swingaway, cpl.		1
10	SP1557676	Trunk support 2012, ri, multi adj, Swingaway, cpl.		1
11	SP1552698	Trunk support 2012		1
12	SP1552678	Lateral support extended, cpl. - left		1
13	SP1552679	Lateral support extended, cpl. - right		1
14	SP1551853	Trunk Support 2012, Le, Swingaway		1
15	SP1551866	Trunk Support 2012, Ri, Swingaway		1
16	SP1555690	Trunk support 2012, multi adj.		1
17	SP1555692	Lateral support, multi-adjustable, cpl. - left		1
18	SP1555691	Lateral support, multi-adjustable, cpl. - right		1
19	SP1529225	Trunk support, multi adj., left		1
20	SP1529224	Trunk support, multi adj., right		1
21	1518526	ATTACHMENT, PAIR, TRUNK SUPPORT		1
22	SP1543574	Lateral Support Bracket Flex3		1
23	SP1524903	Retainer, Trunk Support		1
24	SP1448728	Memory, Trunk support		1

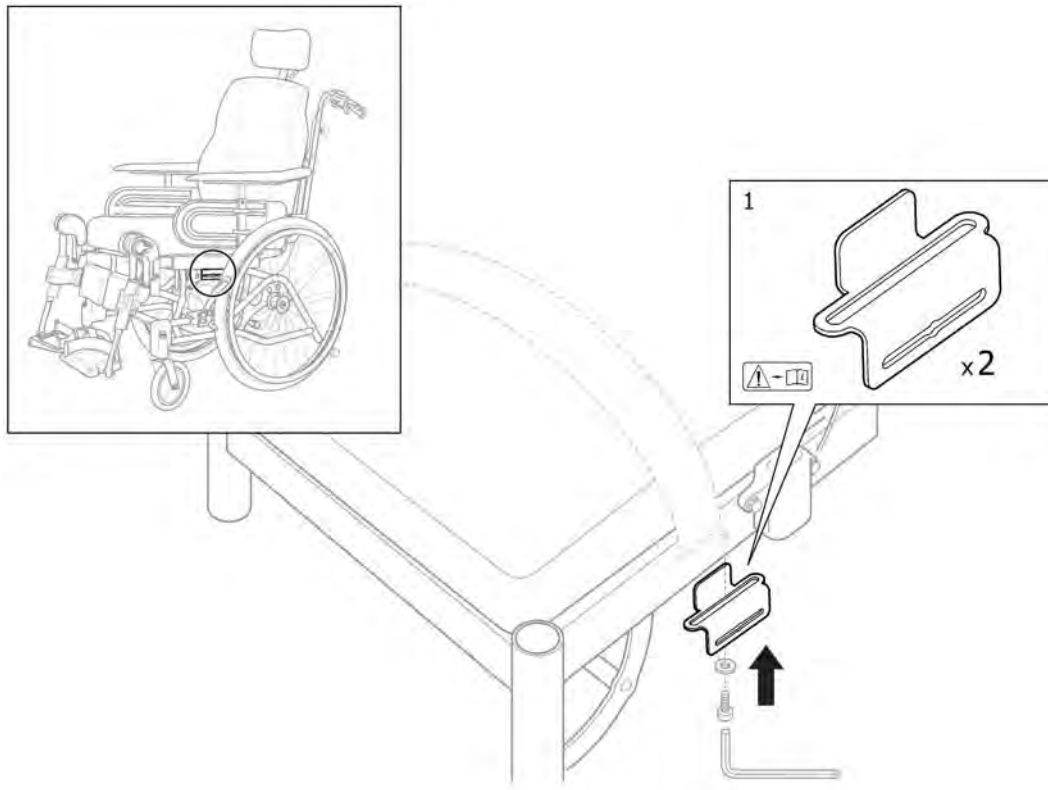
Lateral positioning pad



ISPS1604041

Pos.	Part number	Description	Valid from → until	Qty
1	SP1602253	Lateral positining pad cpl.		2
2	SP1602245-TR26	Cover lateral positioning pad		2
-	AP1603853	Lateral positioning pads (pair)		1

Attachment, Positioning Belt

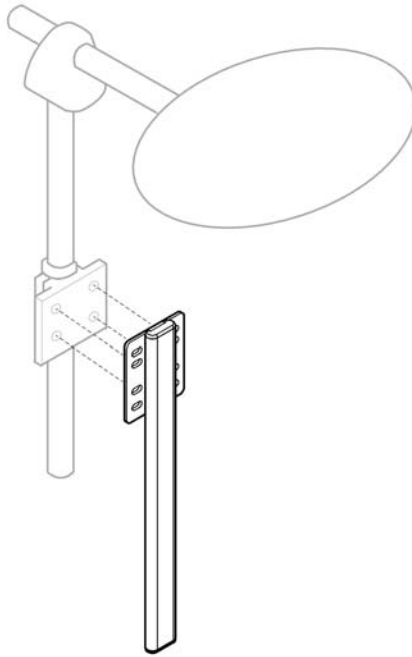


SPS1563952

Pos.	Part number	Description	Valid from → until	Qty
1	SP1563952	ATTACHMENT KIT, POSITIONING BELT, AZALEA		1

Universal, Head-/Neckrest pole


1

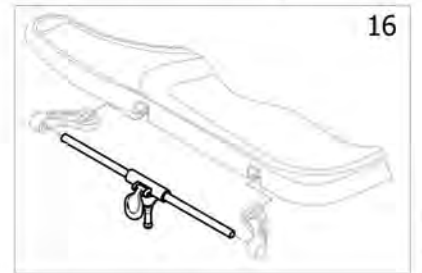
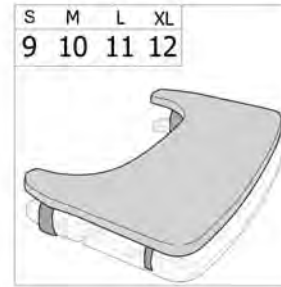
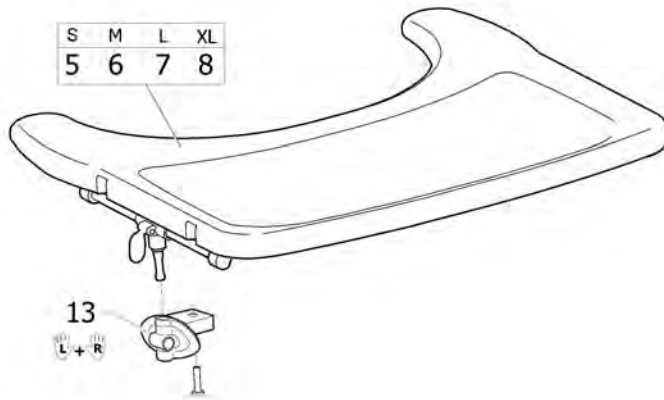


SP1581931

Pos.	Part number	Description	Valid from → until	Qty
1	SP1581931	Alternative Headrest mounting bracket		1

Table tray

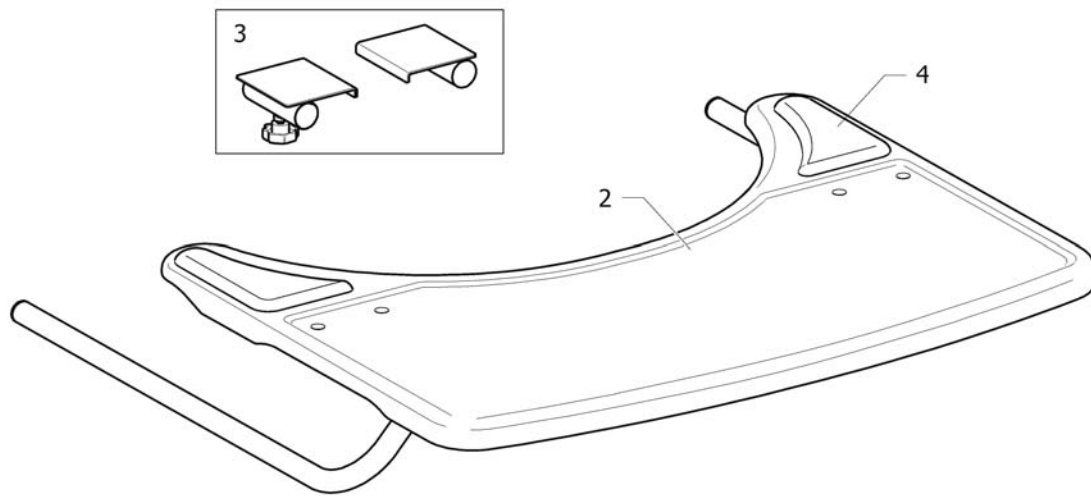
mm	340			390			440			490		
	0	+50	+100	0	+50	+100	0	+50	+100	0	+50	+100
Azalea, Dahlia	1	1	1	2	2	2	3	3	3	4	4	4
	1	1	1	2	2	3	3	3	4	4	4	15
Clematis				2	-	-	3	-	-	4	-	-



Pos.	Part number	Description	Valid from → until	Qty
1	SP1570747	TABLE TRAY SMALL INCL. MOUNTING KIT		1
2	SP1570748	TABLE TRAY MEDIUM INCL. MOUNTING KIT		1
3	SP1570749	TABLE TRAY LARGE INCL. MOUNTING KIT		1
4	SP1570775	TABLE TRAY X-LARGE INCL. MOUNTING KIT		1
5	SP1567517	TABLE TRAY SMALL		1
6	SP1567518	TABLE TRAY MEDIUM		1
7	SP1567519	TABLE TRAY LARGE		1
8	SP1568862	TABLE TRAY X-LARGE		1
9	SP1570746	TABLE CUSHION, SMALL		1
10	SP1571269	TABLE CUSHION, MEDIUM		1
11	SP1571270	TABLE CUSHION, LARGE		1
12	SP1571271	TABLE CUSHION, X-LARGE		1
13	SP1570745	MOUNTING KIT, TABLE		1
14	SP1572460	LOCKING DEVICE, KIT, TABLE		1
15	-	Table tray, Azalea Max		1
16	SP1570675	Table depth adjustment device		1

Table tray, Azalea Max



1

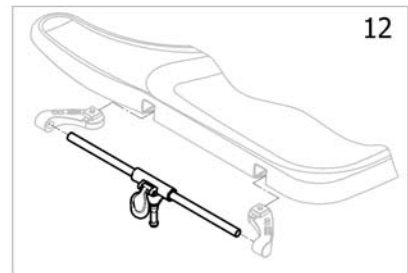
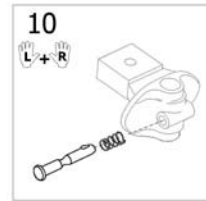
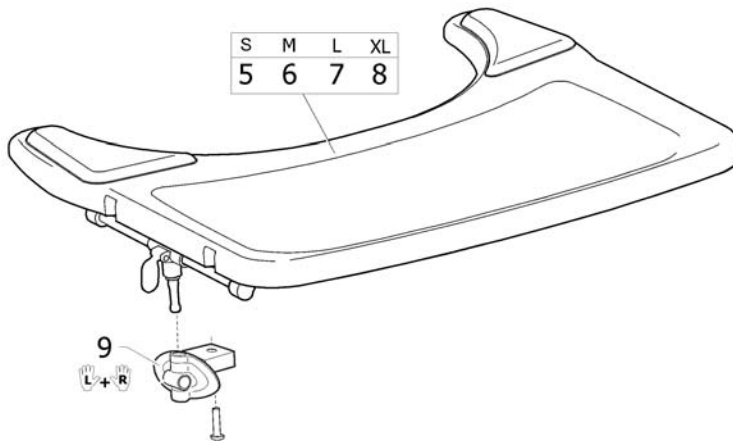


SPS152106

Pos.	Part number	Description	Valid from → until	Qty
1	1528869	Table Tray Cpl, Azalea Max		1
2	1531907	Table Tray, Azalea Max		1
3	1532190	Attachment kit, Table Tray, Azalea Max		1
4	1497825	Elbow Pad, Pair, Table		1

Table tray with armpad

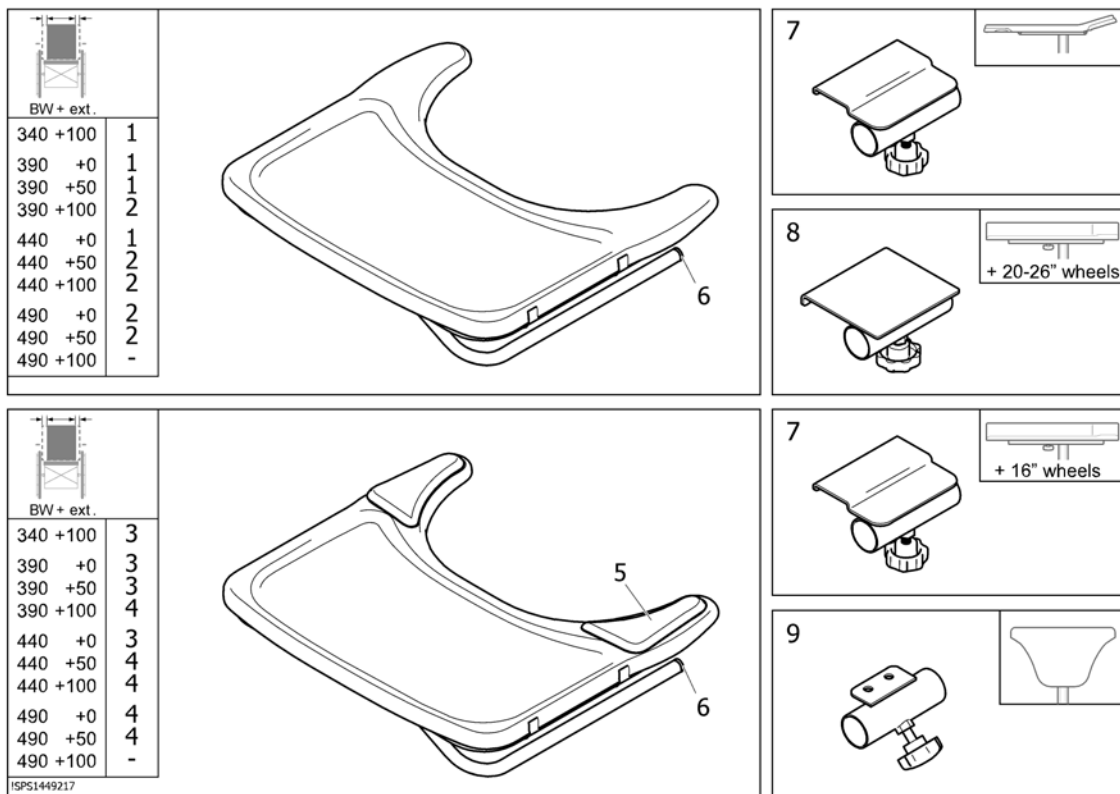
mm	340			390			440			490		
	0	+50	+100	0	+50	+100	0	+50	+100	0	+50	+100
	1	1	1	2	2	2	3	3	3	4	4	4
	1	1	1	2	2	3	3	3	4	4	4	4



/SPS/LS00087


Pos.	Part number	Description	Valid from → until	Qty
1	SP1580891	TABLE TRAY, S, ARMPAD, INCL. MOUNTING KIT		1
2	SP1580892	TABLE TRAY, M, ARMPAD, INCL. MOUNTING KIT		1
3	SP1580893	TABLE TRAY, L, ARMPAD, INCL. MOUNTING KIT		1
4	SP1580894	TABLE TRAY, XL, ARMPAD, INCL. MOUNTING KIT		1
5	SP1580887	TABLE TRAY, S, ARMPAD		1
6	SP1580888	TABLE TRAY, M, ARMPAD		1
7	SP1580889	TABLE TRAY, L, ARMPAD		1
8	SP1580890	TABLE TRAY, XL, ARMPAD		1
9	SP1570745	MOUNTING KIT, TABLE		1
10	SP1572460	LOCKING DEVICE, KIT, TABLE		1
11	1497825	Elbow Pad, Pair, Table		1
12	SP1570675	Table depth adjustment device		1

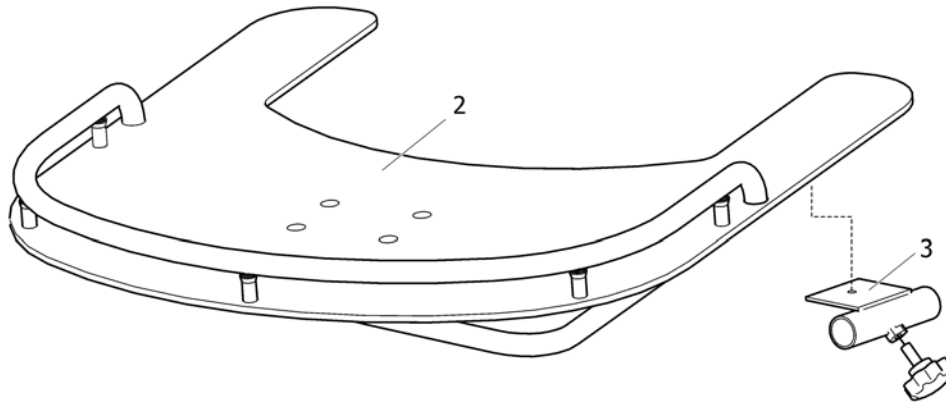
Table tray "Swingaway"



Pos.	Part number	Description	Valid from → until	Qty
1	SP1586424	Table tray Swingaway, small, cpl.		1
2	SP1586425	Table tray Swingaway, medium, cpl.		1
3	SP1584394	Table tray Swingaway incl. pads, small, cpl.		1
4	SP1584395	Table tray Swingaway incl. pads, medium, cpl.		1
5	1497825	Elbow Pad, Pair, Table		1
6	5716296	PLUG Ø22X19.5, PLASTIC BLACK		1
7	1449218	ATTACHMENT, TABLE TRAY CPL., "SWINGAWAY"		1
8	1531131	ATTACHMENT CPL, TABLE RIGHT		1
9	1449839	ATTACHM. TABLE		1

Table tray Swingaway, Azalea Minor

	340	+50	+100
SW(mm)	1	1	4

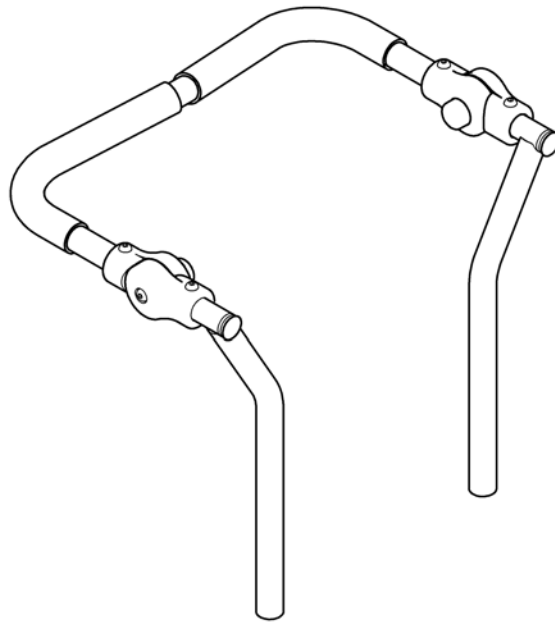


092431106

Pos.	Part number	Description	Valid from → until	Qty
1	1509919	TABLE TRAY 340 KPL, AZALEA MINOR		1
2	1511916	WORKING TABLE, 35, AZALEA MINOR		1
3	1509850	ATTACHMENT CPL., TABLE TRAY, AZALEA MINOR		1
4	-	Table tray "Swingaway"		1

Pushbar adj. Azalea Minor



1

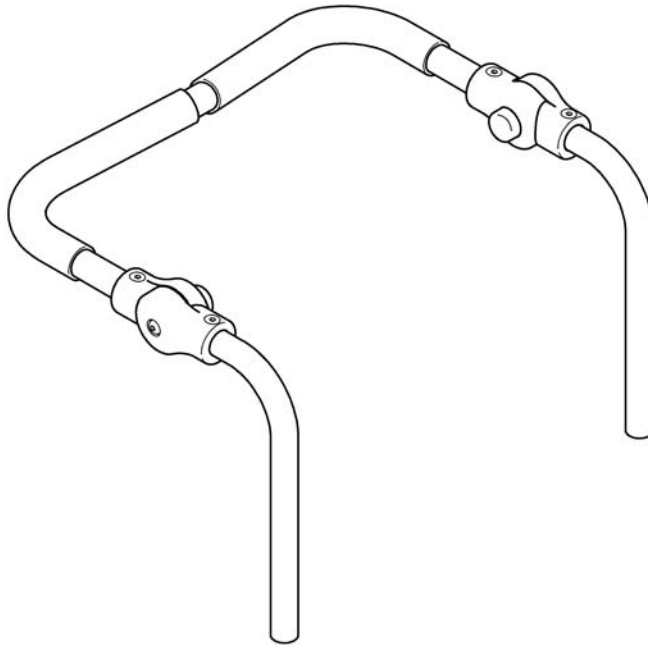


SP1563968

Pos.	Part number	Description	Valid from → until	Qty
1	SP1563968	PUSHBAR ADJ. AZALEA MINOR		1

Pushbar adj. Azalea

		
SW (mm)	mm	
390	362	1
440	412	2
490	463	3

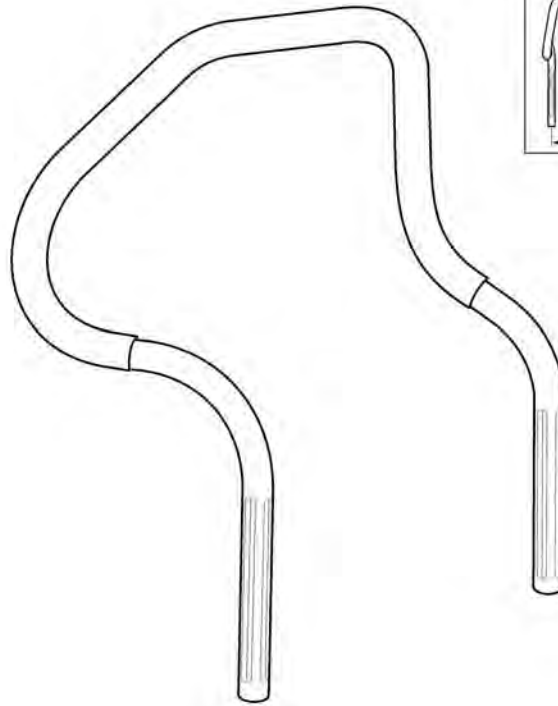


SP1563967

Pos.	Part number	Description	Valid from → until	Qty
1	SP1563967	PUSHBAR ADJ. 390		1
2	SP1564551	PUSHBAR ADJ. 440		1
3	SP1564552	PUSHBAR ADJ. 490		1

Push bar, Flex2


	SW (mm)	
<i>Bellis</i>	410 (S)	2
	460 (M)	3
	510 (L)	4
<i>Azalea</i>	390	1
	440	2
	490	3

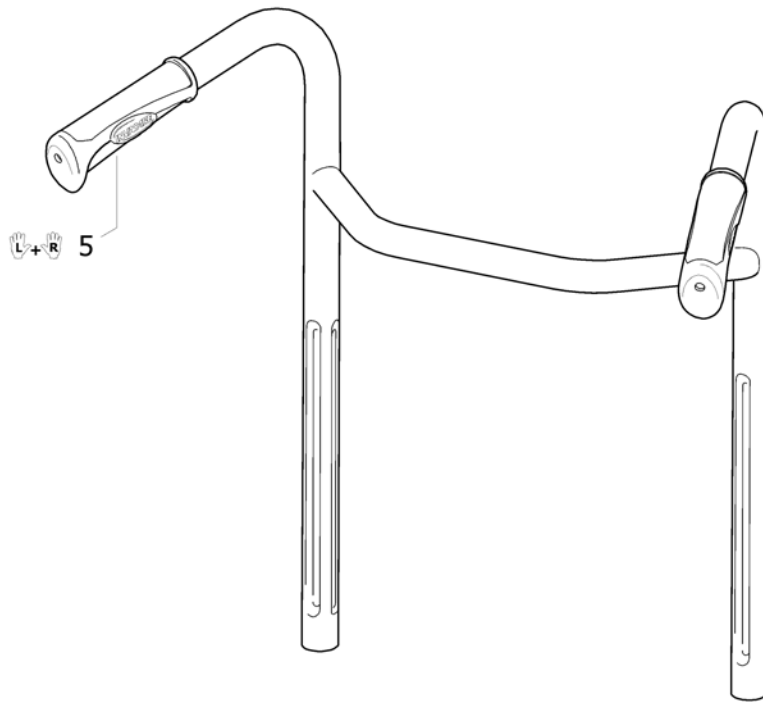


292	1
342	2
392	3
442	4

5255136

Pos.	Part number	Description	Valid from → until	Qty
1	1444350	PUSH BAR 292		1
2	5255136	PUSH BAR 342		1
3	5255137	PUSH BAR 392		1
4	5255138	PUSH BAR 442		1

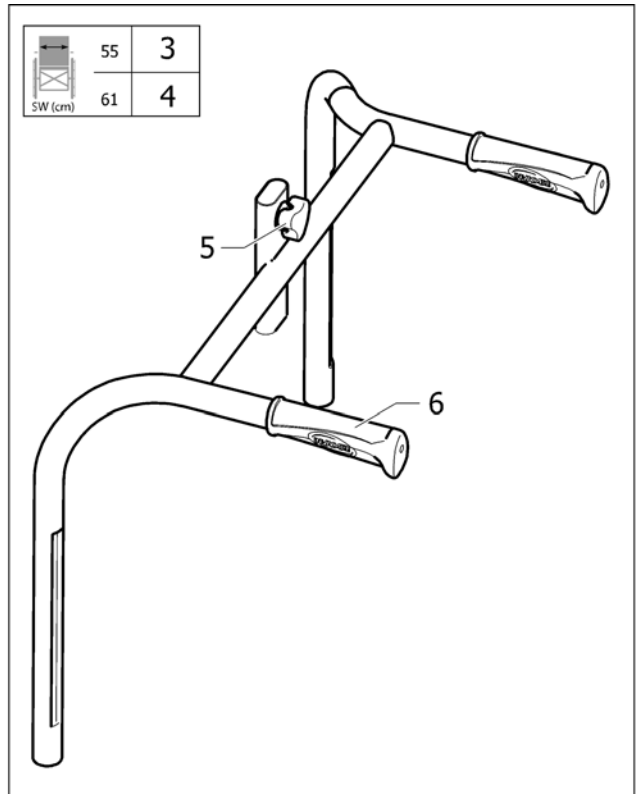
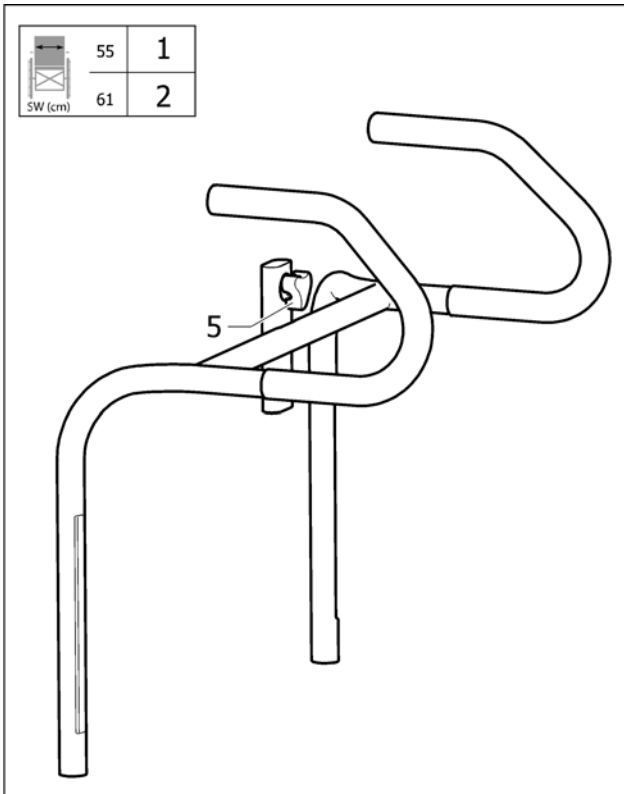
	
SW (mm)	
Azalea	
340	1
390	2
440	3
490	4



1 SP1650681

Pos.	Part number	Description	Valid from → until	Qty
1	SP1650677	Push handle 340mm, Braced, Black Cpl		1
2	SP1650678	Push handle 390mm, Braced, Black Cpl		1
3	SP1650679	Push handle 440mm, Braced, Black cpl		1
4	SP1650680	Push handle 490mm, Braced, Black Cpl		1
5	SP1537634	HANDLE 22MM, PAIR		1

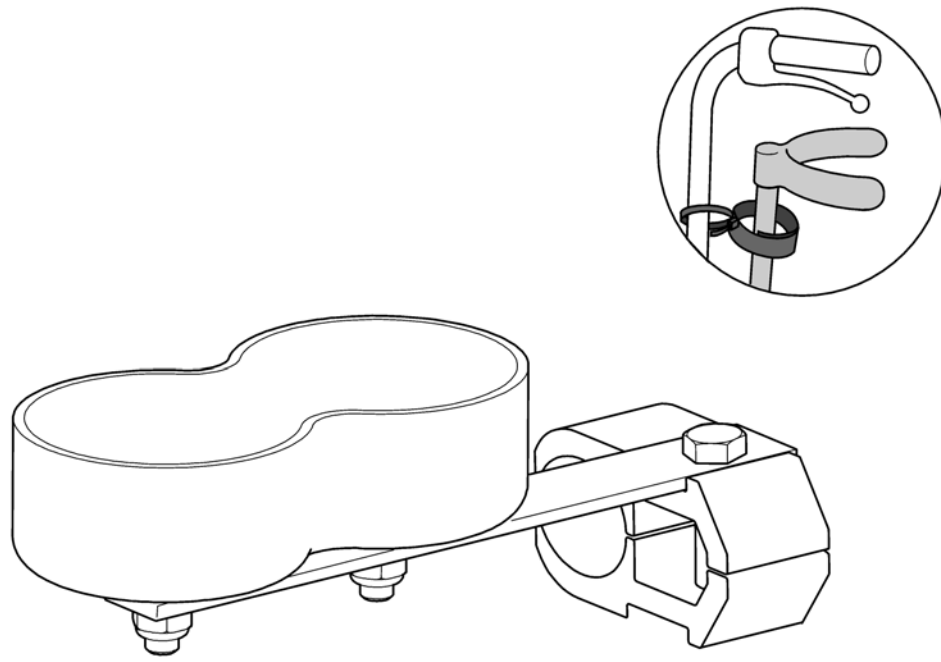
Push handles, Azalea Max



SP1523946

Pos.	Part number	Description	Valid from → until	Qty
1	1523947	High Push Bar 55		1
2	1523946	High Push Bar 61		1
3	1524533	Push handle braced 55		1
4	1524529	Push handle braced 61		1
5	1444175	HANDWHEEL UNLOSEABLE CPL CPL		1
6	SP1537634	HANDLE 22MM, PAIR		1

1

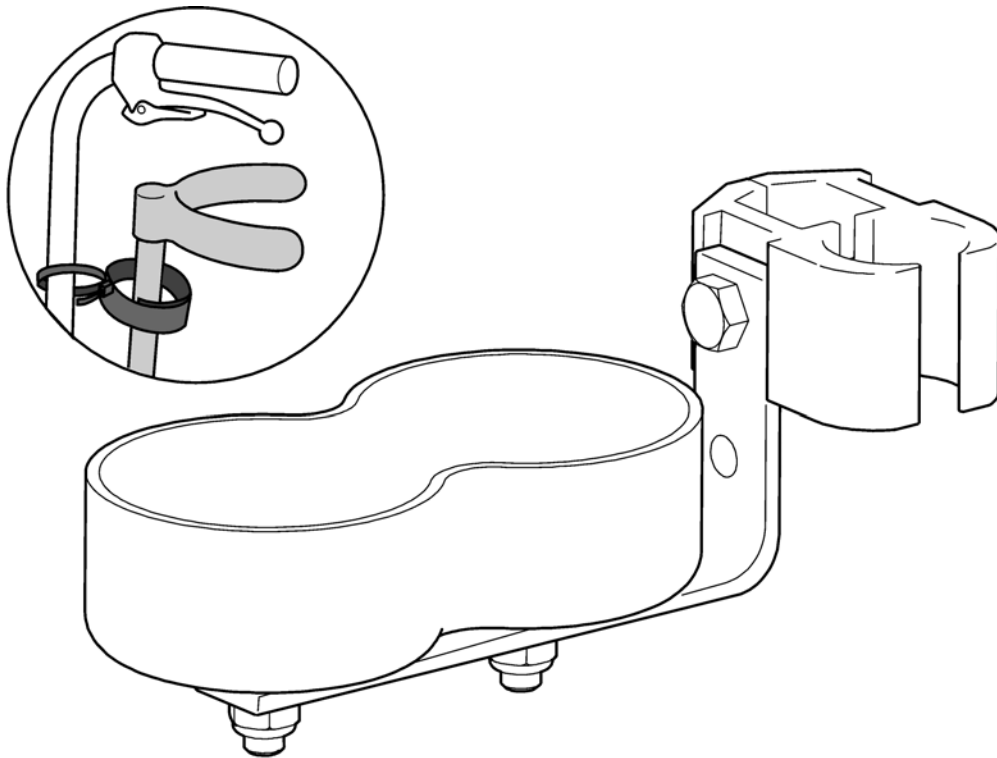


SP1560811

Pos.	Part number	Description	Valid from → until	Qty
1	SP1560811	Crutch holder		1

Crutch holder, Flex2 backrest

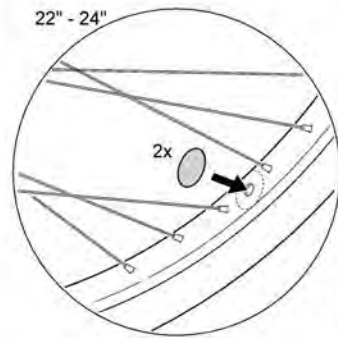
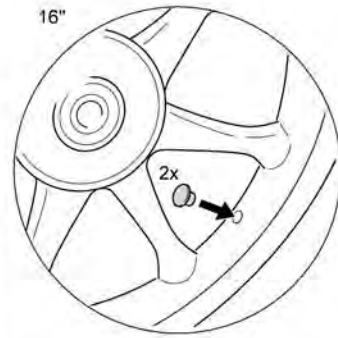
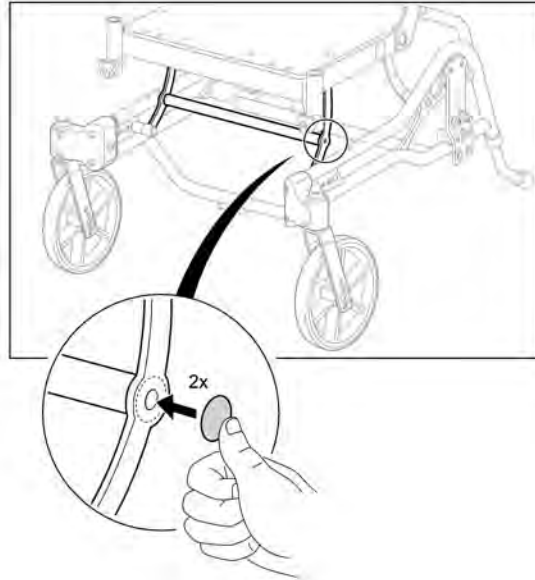
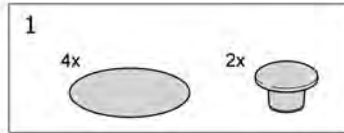
1



SP55295015

Pos.	Part number	Description	Valid from → until	Qty
1	5295015	CRUTCH HOLDER		1

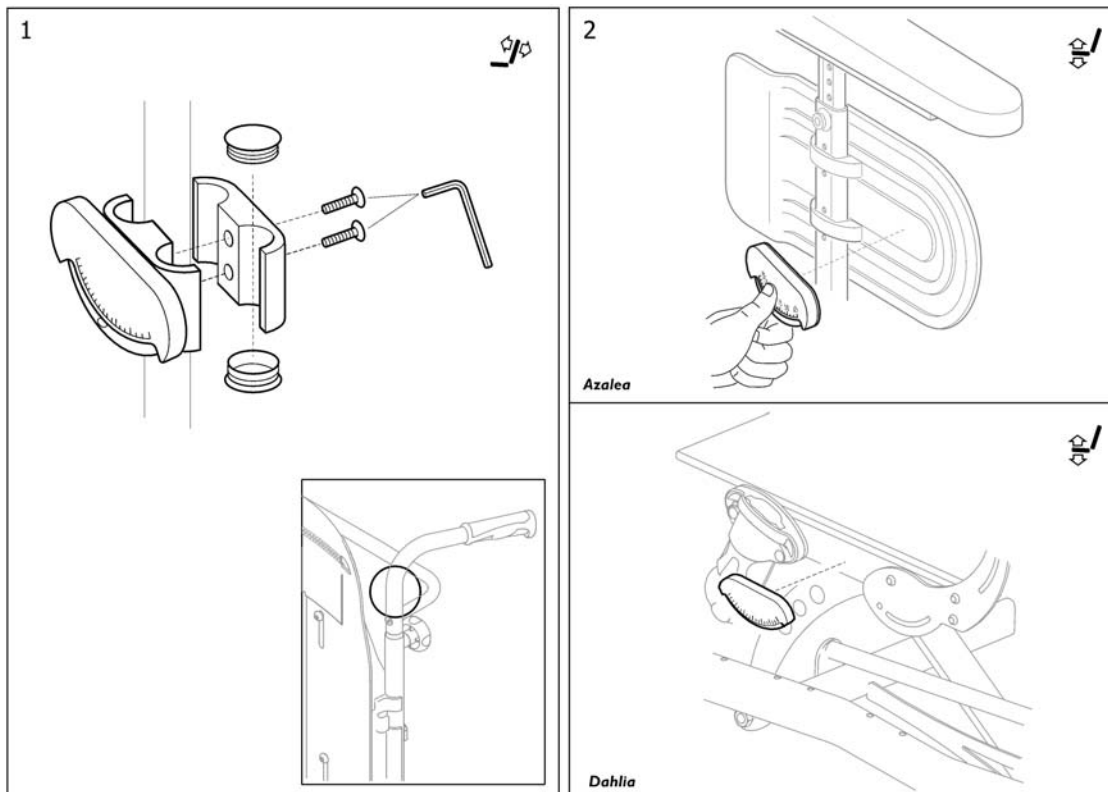
Wash sealing kit



1815153953

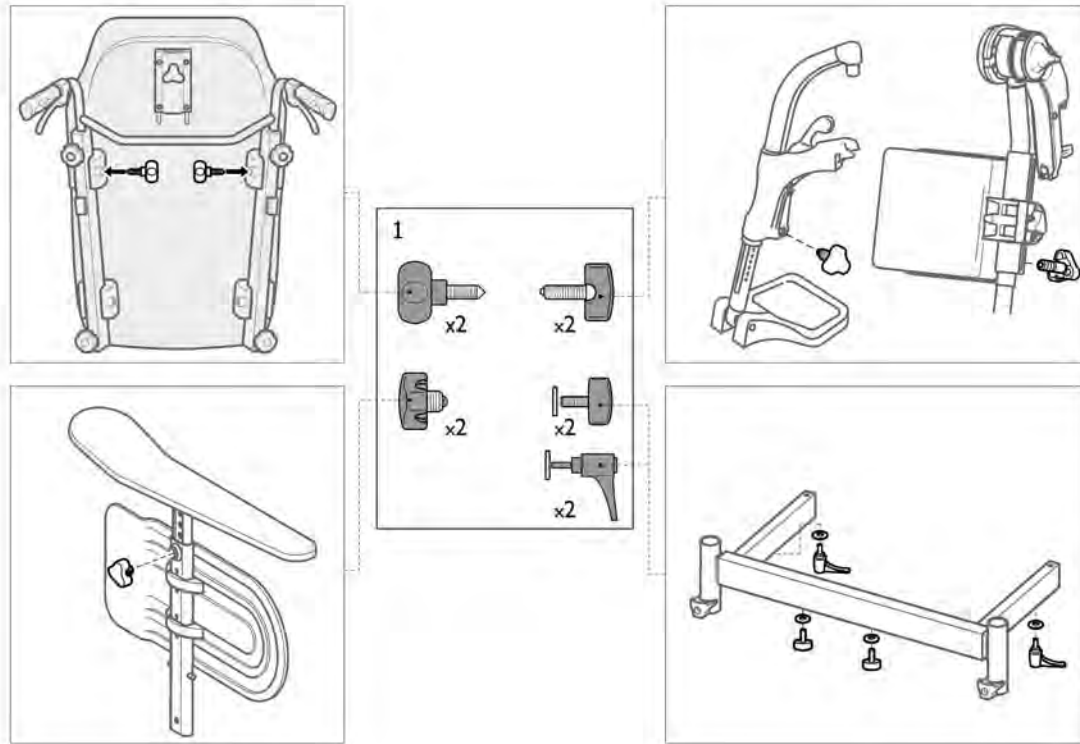
Pos.	Part number	Description	Valid from → until	Qty
1	SP1563953	WASH SEALING KIT		1

Tilt scale



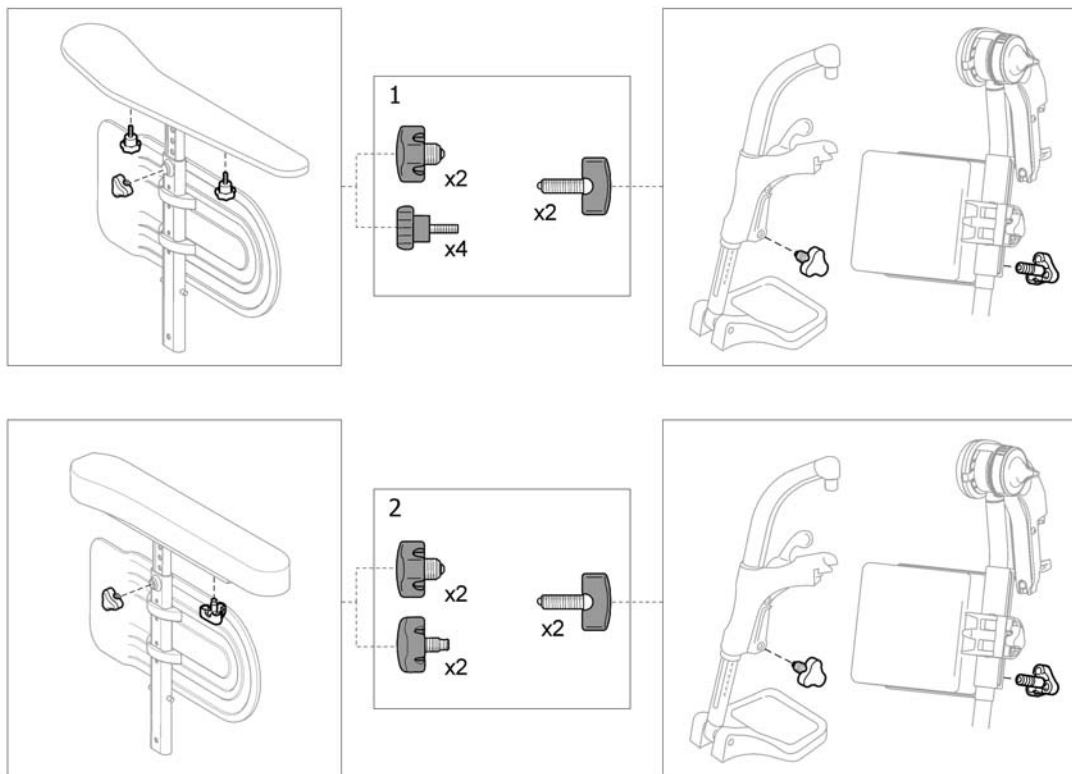
Pos.	Part number	Description	Valid from → until	Qty
1	SP1563954	Tilt scale, backrest		1
2	SP1561584	Tilt scale, seat		1

Clinic kit



Pos.	Part number	Description	Valid from → until	Qty
1	SP148447	CLINIC KIT, AZALEA/DAHLIA		1

Kit, handwheels

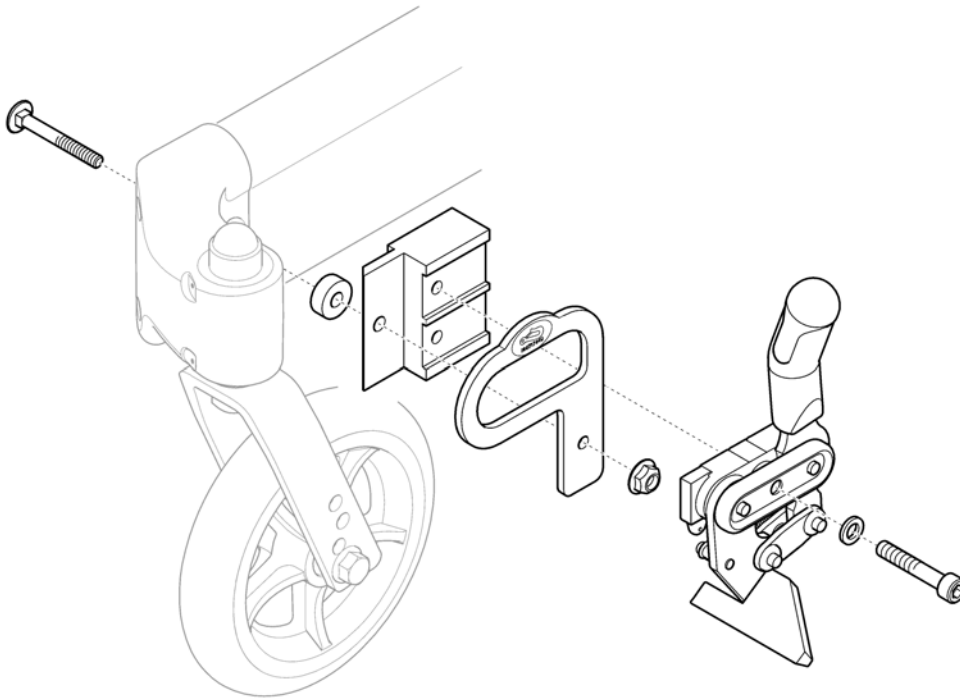


SP1605335

Pos.	Part number	Description	Valid from → until	Qty
1	SP1605347	KIT, HANDWHEELS, ARM- LEGREST, STD/DUCKTAIL		1
2	SP1605335	KIT, HANDWHEELS, ARM- LEGREST, WIDE/ASSIST		1

Castor lock (for 16inch rearwheels only)

1
L R

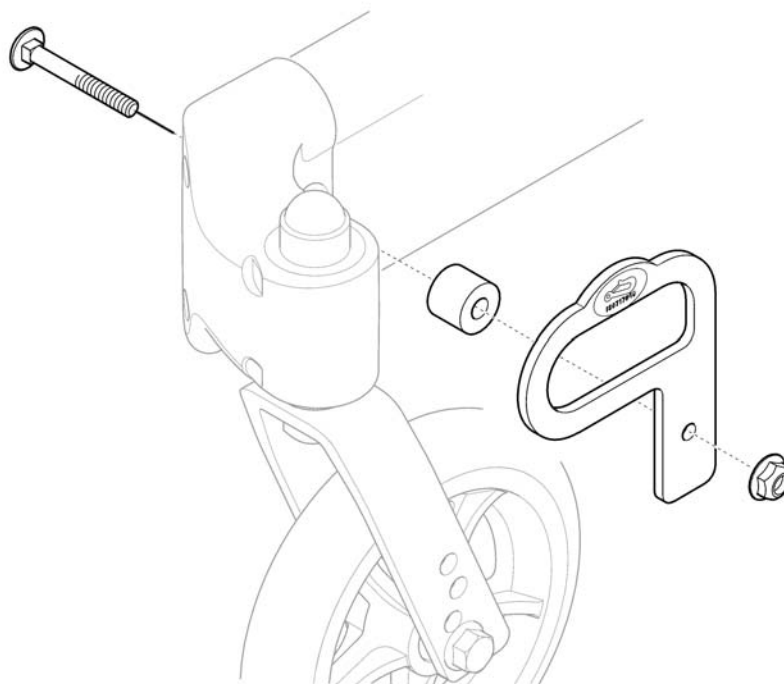


SP1564433

Pos.	Part number	Description	Valid from → until	Qty
1	SP1564433	Castor lock, pair <i>Only for use in combination with 16inch rearwheels</i>		1

Transport Bracket

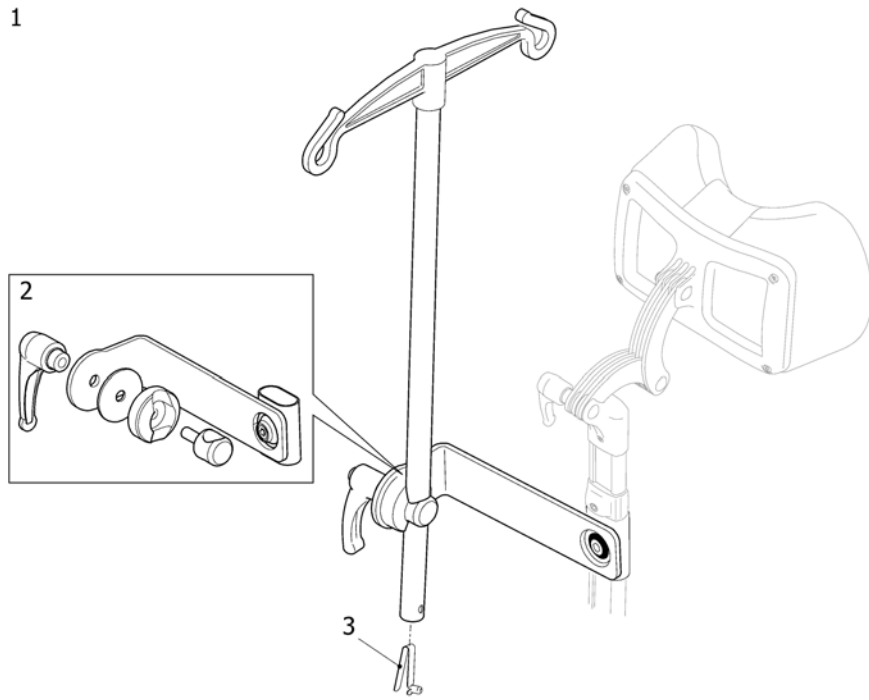
1
L R



SP1591222

Pos.	Part number	Description	Valid from → until	Qty
1	SP1591222	TRANSPORT BRACKET, FRONT, PAIR		1

Dripstand



SPS1440897

Pos.	Part number	Description	Valid from → until	Qty
1	1440897	DRIPSTAND + FIXATION		1
2	1518781	ATTACHMENT, DRIP STAND		1
3	1560734	Snap button		1



Yes, you can.®



Belgium & Luxemburg:

Invacare nv, Autobaan 22, B-8210 Loppem
Tel: (32) (0)50 83 10 10, Fax: (32) (0)50 83 10 11
belgium@invacare.com / www.invacare.be

Denmark:

Invacare A/S, Sdr. Ringvej 37, DK-2605 Brøndby
Tel: (45) (0)36 90 00 00, Fax: (45) (0)36 90 00 01
denmark@invacare.com / www.invacare.dk

Deutschland:

Invacare Aquatec GmbH, Alemannenstraße 10, D-88316 Isny
Tel: (49) (0)75 62 7 00 0, Fax: (49) (0)75 62 7 00 66
info@invacare-aquatec.com / www.invacare-aquatec.de

European Distributor Organisation:

Invacare, Kleiststraße 49, D-32457 Porta Westfalica
Tel: (49) (0)57 31 754 540, Fax: (49) (0)57 31 754 541
eda@invacare.com / www.invacare.eu.com

España:

Invacare SA, c/Areny s/n, Polígon Industrial de Celrà, E-17460 Celrà (Girona)
Tel: (34) (0)972 49 32 00, Fax: (34) (0)972 49 32 20
contactsp@invacare.com / www.invacare.es

France:

Invacare Poirier SAS, Route de St Roch, F-37230 Fondettes
Tel: (33) (0)2 47 62 64 66, Fax: (33) (0)2 47 42 12 24
contactfr@invacare.com / www.invacare.fr

Ireland:

Invacare Ireland Ltd, Unit 5 Seatown Business Campus, Seatown Road, Swords, County Dublin - Ireland
Tel: (353) 1 810 7084, Fax: (353) 1 810 7085
ireland@invacare.com / www.invacare.ie

Italia:

Invacare Mecc San s.r.l., Via dei Pini 62, I-36016 Thiene (VI)
Tel: (39) 0445 38 00 59, Fax: (39) 0445 38 00 34
italia@invacare.com / www.invacare.it

Nederland:

Invacare BV, Celsiusstraat 46, NL-6716 BZ Ede
Tel: (31) (0)318 695 757, Fax: (31) (0)318 695 758
nederland@invacare.com, csede@invacare.com / www.invacare.nl

Norge:

Invacare AS, Grensesvingen 9, Postboks 6230, Etterstad, N-0603 Oslo
Tel: (47) (0)22 57 95 00, Fax: (47) (0)22 57 95 01
norway@invacare.com, island@invacare.com / www.invacare.no

Österreich:

Invacare Austria GmbH, Herzog Odilostrasse 101, A-5310 Mondsee
Tel: (43) 6232 5535 0, Fax: (43) 6232 5535 4
info-austria@invacare.com / www.invacare.at

Portugal:

Invacare Lda, Rua Estrada Velha, 949, P-4465-784 Leça do Balio
Tel: (351) (0)225 1059 46147, Fax: (351) (0)225 1057 39
portugal@invacare.com / www.invacare.pt

Sverige & Suomi:

Invacare AB, Fagerstagatan 9, S-163 91 Spånåsa
Tel: (46) (0)8 761 70 90, Fax: (46) (0)8 761 81 08
sweden@invacare.com, finland@invacare.com / www.invacare.se

Switzerland:

Invacare AG, Benkenstrasse 260, CH-4108 Witterswil
Tel: (41) (0)61 487 70 80, Fax: (41) (0)61 487 70 81
switzerland@invacare.com / www.invacare.ch

United Kingdom:

Invacare Limited, Pencoed Technology Park, Pencoed, Bridgend CF35 5AQ
Switchboard Tel: (44) (0)1656 776200, Fax: (44) (0)1656 776201
Customer services Tel: (44) (0)1656 776222, Fax: (44) (0)1656 776220
uk@invacare.com / www.invacare.co.uk